

HITACHI

Hitachi Displays, Ltd.

Date: Jun. 29, 2004

TECHNICAL DATA

TX39D80VC1GAA

CONTENTS

No.	I t e m	Sheet No.	Page
—	COVER	3284TTD 2196-1	1-1/1
—	RECORD OF REVISION	3284TTD 2196-1	2-1/1
—	APPLICATION	3284TTD 2196-1	3-1/1
1	ABSOLUTE MAXIMUM RATING	3284TTD 2196-1	4-1/2~2/2
2	OPTICAL CHARACTERISTICS	3284TTD 2196-1	5-1/2~2/2
3	ELECTRICAL CHARACTERISTICS	3284TTD 2196-1	6-1/1
4	BLOCK DIAGRAM	3284TTD 2196-1	7-1/1
5	INTERFACE PIN CONNECTION	3284TTD 2196-1	8-1/4~4/4
6	INTERFACE TIMING FOR LVDS TRANSMITTER	3284TTD 2196-1	9-1/4~4/4
7	DIMENSIONAL OUTLINE	3284TTD 2196-1	10-1/2~2/2

RECORD OF REVISION

Date	Old Sheet No.	Summary
	New Sheet No.	

APPLICATIONS

This specification is applied to the following TFT Liquid Crystal Display Module with Back-light unit.

Note : Inverter device for Back-light is not built in and so it needs to be prepared on yours side.

- Type name : TX39D80VC1GAA
- Display Area : H331.2×V207.0 [mm]
- Display Pixels : H1280×V800 pixels
(Display Dots) (H(1280×3)×V800 [dots])
- Voltage of V_{DD} : 3.3V
- Pixel Pitch : H0.25875×V0.25875 [mm]
- Color Pixel Arrangement : R·G·B Vertical Stripe
- Display Mode : Transmissive &
Normally White Mode
- Color Number : 262k Colors
- Direction with Wider Viewing Angle : Lower side of 6 o'clock
(Azimuth $\phi=270^\circ$)
- Dimensions Outlines : H344 typ×V225 typ×t7.0 max-6.5 max [mm]
- Weight : 670 typ [g]
- Interface : 1ch-LVDS
- Surface Polarizing Film : Glare Polarizing Film with Antireflection Coating
- Back-light : Two Cold Cathode Fluorescent Lamp
(Lower side)
Back-light inverter is not contained in Module.

1. ABSOLUTE MAXIMUM RATINGS

1.1 ENVIRONMENTAL ABSOLUTE MAXIMUM RATINGS

ITEM	OPERATING		STORAGE		UNIT	NOTE
	MIN.	MAX.	MIN.	MAX.		
Ambient Temperature	0	40	-20	60	°C	1)
Humidity	2)		2)		%RH	1)
Vibration	—	4.9 (0.5G)	—	19.6 (2G)	m/s ²	3) , 5)
Shock	—	29.4 (3G)	—	490 (50G)		4) , 5)
Corrosive Gas	NOT ACCEPTABLE		NOT ACCEPTABLE		—	
Illuminance at LCD surface	—	50,000	—	50,000	lx	

Note 1) Environmental temperature and humidity of this unit, not of system installed with this unit.

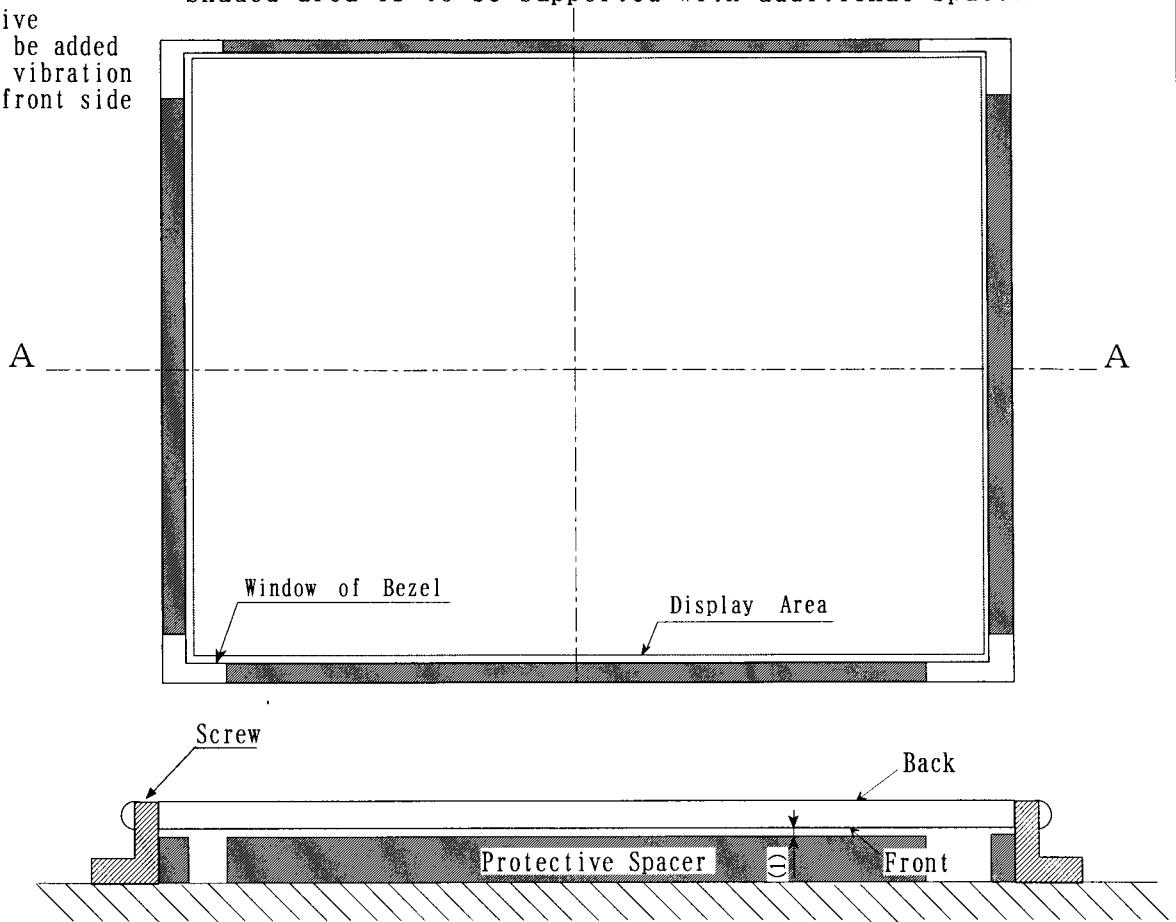
At low temperature the brightness of CFL drop and the life time of CFL become to be short.

- 2) Ambient temp. $T_a \leq 40^\circ\text{C}$: 85%RH MAX. without condensation
 $T_a > 40^\circ\text{C}$: Absolute humidity must be lower than the saturated vapor of 85%RH at 40°C . without condensation
- 3) Vibration frequency : 20~50Hz. (Except resonance frequency)
- 4) 7ms of pulse width.
- 5) With mounting protective spacer (ref. page 4-2/3)

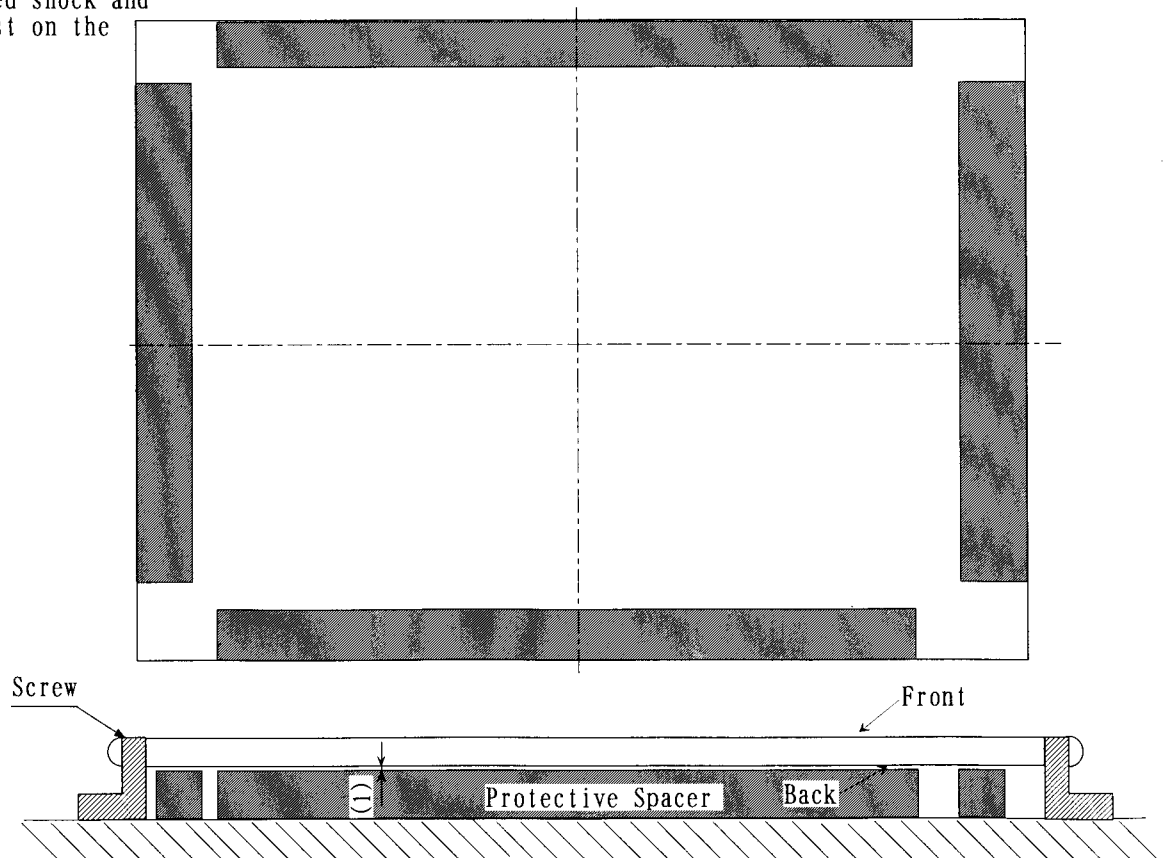
Adding protective spacer at shock & vibration test

Shaded area is to be supported with additional spacer.

- (1) This protective spacer is to be added at shock and vibration test on the front side



- (2) This protective spacer is to be added shock and vibration test on the other side



1.2 ELECTRICAL ABSOLUTE MAXIMUM RATINGS

(1) TFT LIQUID CRYSTAL DISPLAY MODULE

VSS=0V

ITEM	SYMBOL	MIN.	MAX.	UNIT	NOTE
Power Supply Voltage	VDD	0	4.0	V	
Electrostatic Durability	VESD0	±250		V	1)
	VESD1	± 15		kV	2), 3)

Note 1) Electric discharge constant 200 pF-0Ω, 25°C-70%RH.

I/F Connector pins are subjected.

2) Electric discharge constant 200 pF-250Ω, 25°C-70%RH.

3) The Surface of Metal bezel and LCD are subjected.

(2) BACK-LIGHT UNIT

GND=0V

ITEM	SYMBOL	MIN.	MAX.	UNIT
Lamp Current	I _L	0	7	mArms
Lamp Voltage	V _L	0	2000	Vrms

- 1.3 Connection between PC Ground and Metal frame.
 Metal frame of the module should be grounded with PC's ground in case that protection film is being peeled off while operating the module. Unless you connect between metal frame and PC's Ground. PC's system happens to shut down due to the influence of electrostatic discharge caused by peeling off the protection film.

2. OPTICAL CHARACTERISTICS

The following items are measured on the conditions that this unit operation (TFT panel and Back-light) and measuring systems are stable. (more than 30minutes' operation)

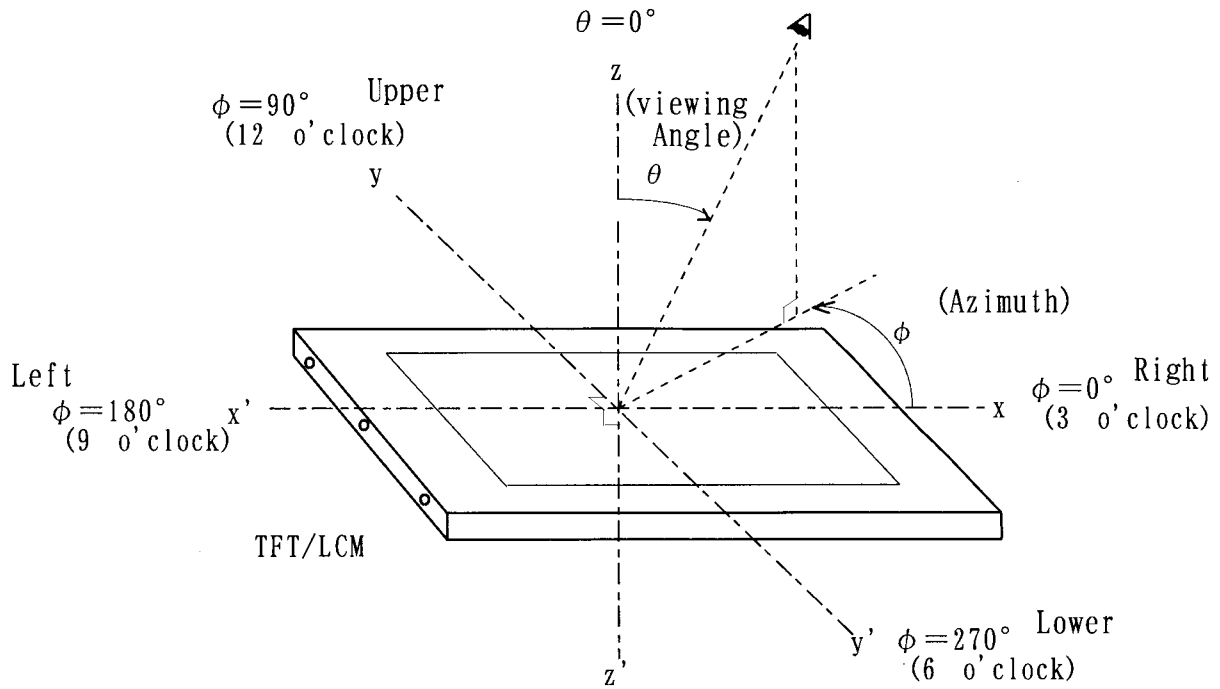
The ambient light excluding The Back-light unit is nothing.

- Measuring equipment : TOPCON BM-7, Prichard 1980A, or equivalent
- Measuring point : Active area center

Temperature of LCD=25°C, VDD=3.3V, fv=60Hz, fL=50kHz, IL=6mA

ITEM		SYMBOL	CONDITION	MIN.	TYP.	MAX.	UNIT	NOTE
Contrast Ratio		CR	$\theta = 0^\circ$ Note 1)	—	600	—	—	2)
Response Time	RISE	tr		—	30	—	ms	3)
	FALL	tf		—	20	—		
Brightness (White)		Bwh		400	450	—	cd/m ²	
Color of CIE	Red	x		0.54	0.57	0.60	—	
		y		0.31	0.34	0.37		
	Green	x		0.27	0.30	0.33		
		y		0.54	0.57	0.60		
	Blue	x		0.11	0.14	0.17		
		y		0.10	0.13	0.16		
	White	x	0.29	0.32	0.35			
		y	0.30	0.33	0.36			
Viewing Angle (CR \geq 10)	x-x	θ_x	$\phi = 0^\circ$	60	80	—	deg	1)
		$\theta_{x'}$	$\phi = 180^\circ$	60	80	—		
	y-y	θ_y	$\phi = 90^\circ$	30	50	—		
		$\theta_{y'}$	$\phi = 270^\circ$	40	60	—		

Note 1) Definition of Viewing Angle



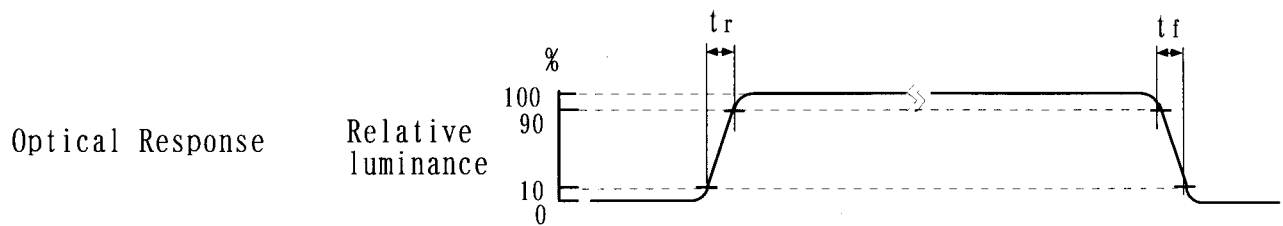
Note 2) Definition of Contrast Ratio (CR)

$$CR = \frac{\text{Brightness when displaying White raster}}{\text{Brightness when displaying Black raster}}$$

These Brightness is measured on the center of screen.

* Measurement in the darkroom.

Note 3) Definition of Response Time



3. ELECTRICAL CHARACTERISTICS

(1) TFT LIQUID CRYSTAL DISPLAY MODULE

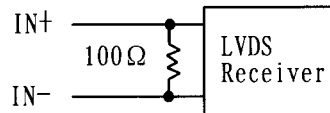
Ta=25°C, Vss=0V

ITEM	SYMBOL	MIN.	TYP.	MAX.	UNIT	NOTE
Power Supply Voltage	VDD	3.0	3.3	3.6	V	
Differential Input Voltage for LVDS Receiver Threshold	Hi	V _{IH}	—	—	+100	mV 1)
	Lo	V _{IL}	-100	—	—	
Power Supply Current	I _{DD}	—	315	600	mA	2), 3)
Vsync Frequency	f _v	—	60	62	Hz	4), 5)
Hsync Frequency	f _H	—	48.7	51	kHz	4)
DCLK Frequency	f _{CLK}	58	71	73	MHz	4)

Note 1) VCM=+1.25V

VCM is common mode voltage of LVDS transmitter/receiver.

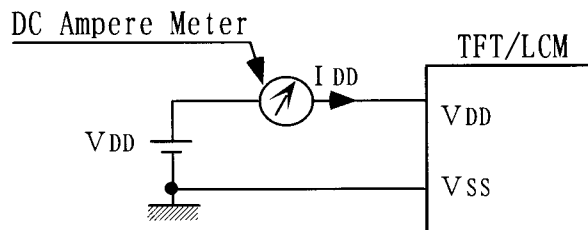
The input terminal of LVDS transmitter is terminated with 100Ω.



2) f_v=60Hz, f_{CLK}=71MHz, V_{DD}=3.3V, DC Current.

Typical value is measured when displaying vertical 64 gray scale.

Maximum is measured when displaying Vertical-stripe (Black-Gray 7).



3) As this module contains 0.8A fuse, prepare current source that is enough for cutting current fuse when a trouble happens. (larger than 2A.)

4) For LVDS Transmitter Input

(2) BACK-LIGHT UNIT

Ta=25°C, GND=0V

ITEM	SYMBOL	MIN.	TYP.	MAX.	UNIT	NOTE
Lamp Current	I _L	2.8	5.0	6.5	mArms	1), 2)
		—	—	10	mA0-peak	
Lamp Voltage	V _L	—	740	—	V _{rms}	
Frequency	f _L	40	—	70	kHz	3)
Starting Lamp Voltage	V _s	1150	—	—	V _{rms}	4)
		1380	—	—		4), 5)

Note 1) I_L is Current of GND side.

2) Higher I_L cause the short life time of CFL.

3) Lamp frequency may produce interference with Hsync frequency, causing beat or flicker on the display.

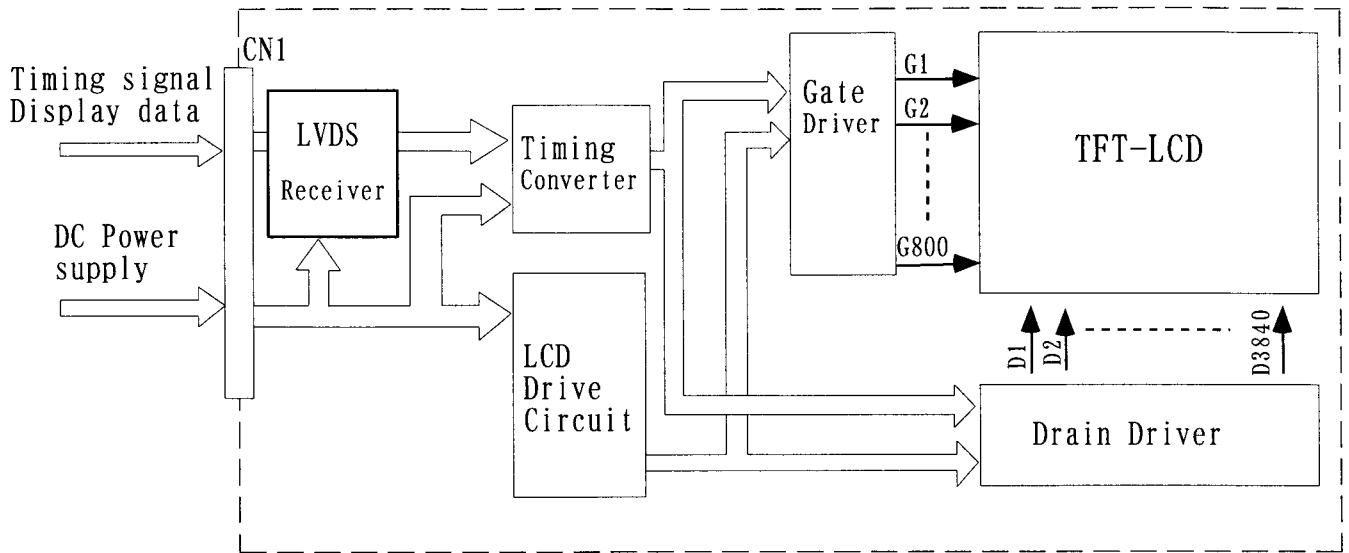
4) Starting Lamp Voltage is specified to the output of inverter with ballast capacitance > 22pF.

5) Ta=0°C

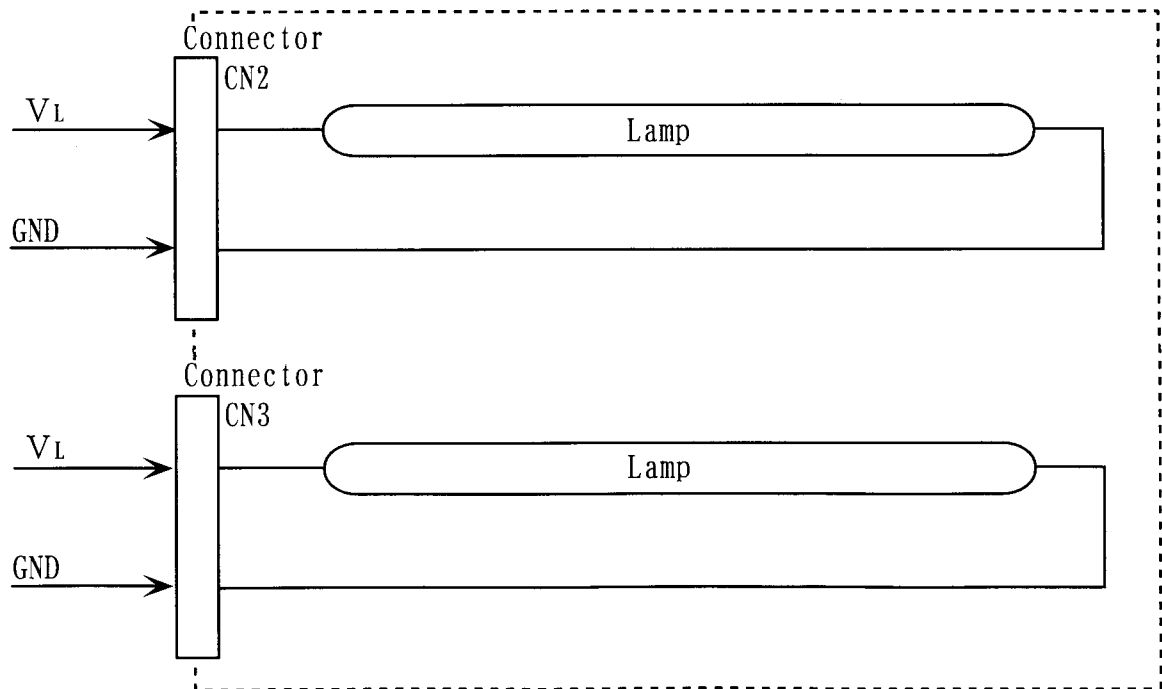
6) CFL Life Time is the period that the brightness is half as much as the initial.

4. BLOCK DIAGRAM

(1) TFT LIQUID CRYSTAL DISPLAY MODULE



(2) BACK-LIGHT UNIT



5. INTERFACE PIN CONNECTION

(1) TFT LIQUID CRYSTAL DISPLAY MODULE

CN1 《JAE FI-XB30SL-HF10》

Pin No	SYMBOL	FUNCTION
-	VSS	Ground
1		
2	VDD	Power Suply 3.3V (typical)
3		
4	VSS	Ground
5	VSS	Ground
6	VSS	Ground
7	VSS	Ground
8	R0in0-	LVDS Receiver Signal (-)
9	R0in0+	LVDS Receiver Signal (+)
10	VSS	Ground
11	R0in1-	LVDS Receiver Signal (-)
12	R0in1+	LVDS Receiver Signal (+)
13	VSS	Ground
14	R0in2-	LVDS Receiver Signal (-)
15	R0in2+	LVDS Receiver Signal (+)
16	VSS	Ground
17	CLK0-	LVDS Clock Signal (-)
18	CLK0+	LVDS Clock Signal (+)
19	VSS	Ground
20	NC	NC
21	NC	NC
22	VSS	Ground
23	NC	NC
24	NC	NC
25	VSS	Ground
26	NC	NC
27	NC	NC
28	VSS	Ground
29	NC	NC
30	NC	NC
-	VSS	Ground

Note 1) All VSS pins should be connected to GND(0V).

Metal bezel is connected internally to VSS.

2) All VDD pins should be connected to +3.3V.

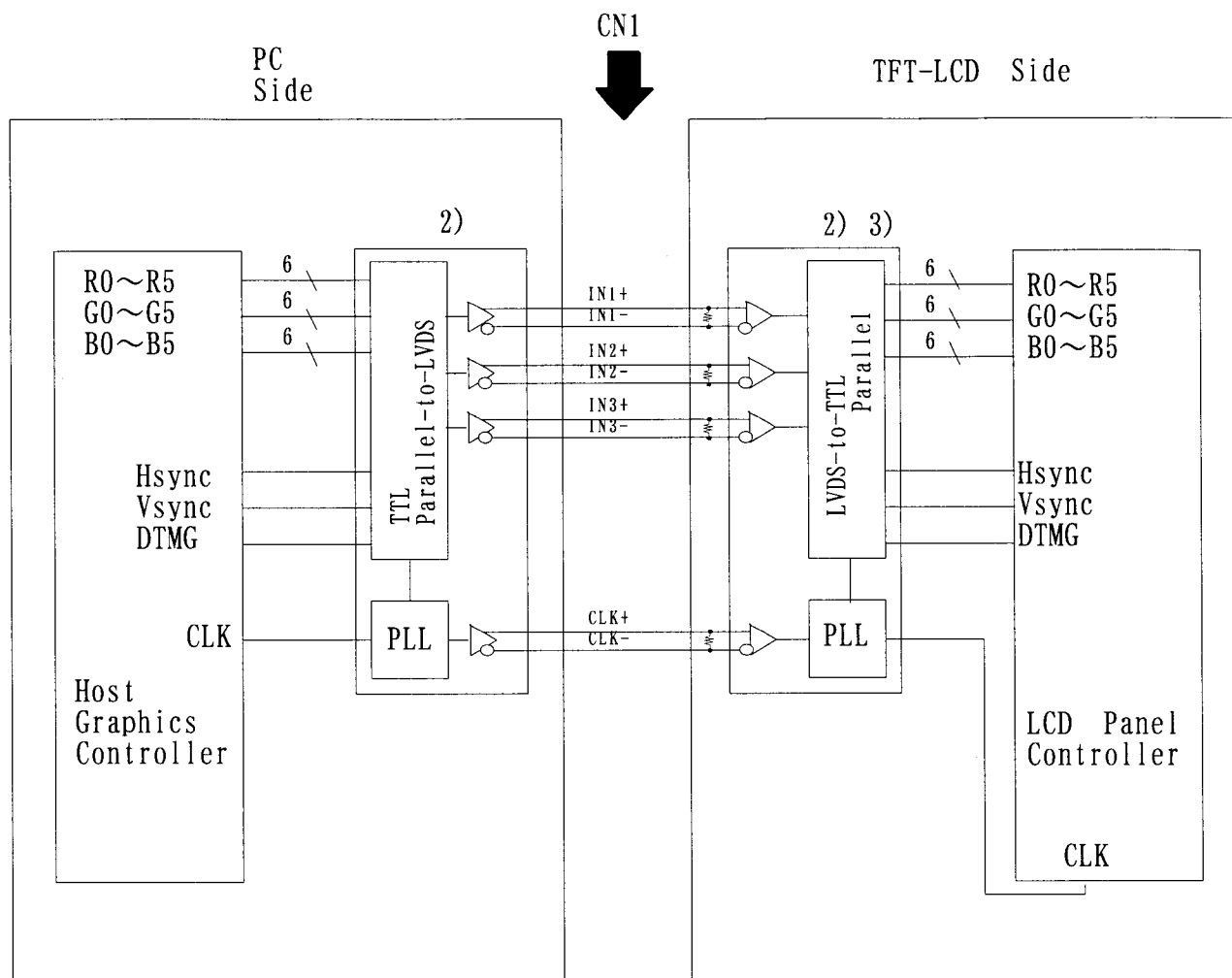
3) All NC pins should be kepted Open.

(2) BACK-LIGHT UNIT

CN2, CN3 《JST BHSR-02VS-1》

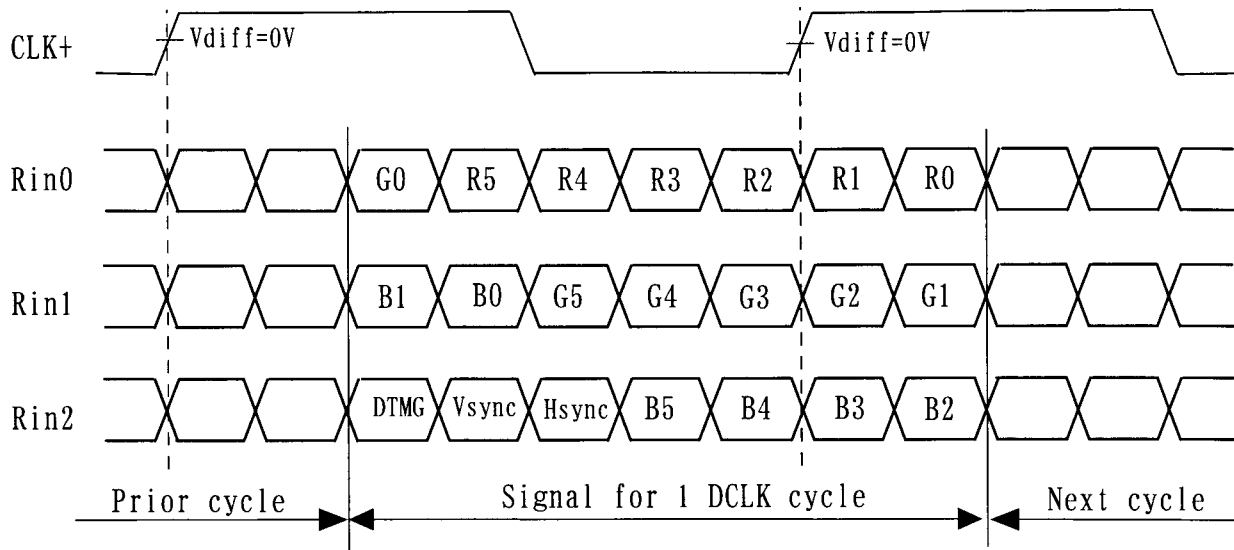
Pin No	SYMBOL	DESCRIPTION	Refelence
1	VL	Power Supply	
2	GND	GND (0V)	

LVDS INTERFACE



NOTE: 1) LVDS cable impedance should be 100 ohms per signal line when each 2-lines(+,-) is used in differential mode.
 2) LVDS transmitter is using LVDS input signal (page 8-3/4).

LVDS Input Signal



$CLK = (CLK+) - (CLK-)$
 $RinX = (RinX+) - (RinX-)$ (X=0, 1, 2)
 Pin connection in case of using
 SN75LVDS84

	INPUT SIGNAL	Transmitter
LVDS	R0	IN0 (44)
	R1	IN1 (45)
	R2	IN2 (47)
	R3	IN3 (48)
	R4	IN4 (1)
	R5	IN5 (3)
	G0	IN6 (4)
	G1	IN7 (6)
	G2	IN8 (7)
	G3	IN9 (9)
	G4	IN10 (10)
	G5	IN11 (12)
	B0	IN12 (13)
	B1	IN13 (15)
	B2	IN14 (16)
	B3	IN15 (18)
	B4	IN16 (19)
	B5	IN17 (20)
	HSYNC	IN18 (22)
	VSYSN	IN19 (23)
DTMG	IN20 (25)	
	DCLK	CLK IN(26)

1) () indicate pin NO (IC).

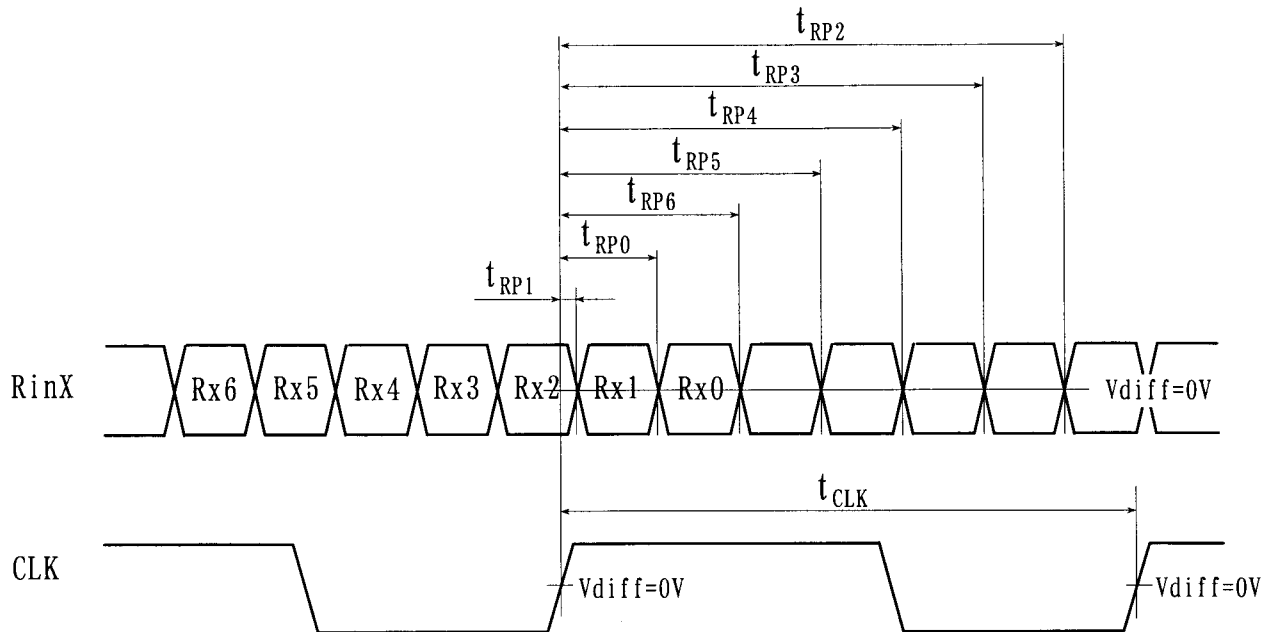
RELATIONSHIP BETWEEN DISPLAYED COLOR AND INPUT DATA

INPUT DATA COLOR		R DATA						G DATA						B DATA					
		R5	R4	R3	R2	R1	R0	G5	G4	G3	G2	G1	G0	B5	B4	B3	B2	B1	B0
		MSB			LSB			MSB			LSB			MSB			LSB		
BASIC COLOR	BLACK	0	0	0	0	0	0	0	0	0	0	0	0	0	0	0	0	0	0
	RED (63)	1	1	1	1	1	1	0	0	0	0	0	0	0	0	0	0	0	0
	GREEN (63)	0	0	0	0	0	0	1	1	1	1	1	1	0	0	0	0	0	0
	BLUE (63)	0	0	0	0	0	0	0	0	0	0	0	0	1	1	1	1	1	1
	CYAN	0	0	0	0	0	0	1	1	1	1	1	1	1	1	1	1	1	1
	MAGENTA	1	1	1	1	1	1	0	0	0	0	0	0	1	1	1	1	1	1
	YELLOW	1	1	1	1	1	1	1	1	1	1	1	1	0	0	0	0	0	0
	WHITE	1	1	1	1	1	1	1	1	1	1	1	1	1	1	1	1	1	1
RED	BLACK	0	0	0	0	0	0	0	0	0	0	0	0	0	0	0	0	0	0
	RED (1)	0	0	0	0	0	1	0	0	0	0	0	0	0	0	0	0	0	0
	RED (2)	0	0	0	0	1	0	0	0	0	0	0	0	0	0	0	0	0	0
	⋮	⋮	⋮	⋮	⋮	⋮	⋮	⋮	⋮	⋮	⋮	⋮	⋮	⋮	⋮	⋮	⋮	⋮	⋮
	RED (61)	1	1	1	1	0	1	0	0	0	0	0	0	0	0	0	0	0	0
	RED (62)	1	1	1	1	1	0	0	0	0	0	0	0	0	0	0	0	0	0
	RED (63)	1	1	1	1	1	1	0	0	0	0	0	0	0	0	0	0	0	0
GREEN	BLACK	0	0	0	0	0	0	0	0	0	0	0	0	0	0	0	0	0	0
	GREEN (1)	0	0	0	0	0	0	0	0	0	0	0	1	0	0	0	0	0	0
	GREEN (2)	0	0	0	0	0	0	0	0	0	0	1	0	0	0	0	0	0	0
	⋮	⋮	⋮	⋮	⋮	⋮	⋮	⋮	⋮	⋮	⋮	⋮	⋮	⋮	⋮	⋮	⋮	⋮	⋮
	GREEN (61)	0	0	0	0	0	0	1	1	1	1	0	1	0	0	0	0	0	0
	GREEN (62)	0	0	0	0	0	0	1	1	1	1	1	0	0	0	0	0	0	0
	GREEN (63)	0	0	0	0	0	0	1	1	1	1	1	1	0	0	0	0	0	0
BLUE	BLACK	0	0	0	0	0	0	0	0	0	0	0	0	0	0	0	0	0	0
	BLUE (1)	0	0	0	0	0	0	0	0	0	0	0	0	0	0	0	0	0	1
	BLUE (2)	0	0	0	0	0	0	0	0	0	0	0	0	0	0	0	0	1	0
	⋮	⋮	⋮	⋮	⋮	⋮	⋮	⋮	⋮	⋮	⋮	⋮	⋮	⋮	⋮	⋮	⋮	⋮	⋮
	BLUE (61)	0	0	0	0	0	0	0	0	0	0	0	0	1	1	1	1	0	1
	BLUE (62)	0	0	0	0	0	0	0	0	0	0	0	0	1	1	1	1	1	0
	BLUE (63)	0	0	0	0	0	0	0	0	0	0	0	0	1	1	1	1	1	1

- Note 1) Definition of gray scale :
 Color (n) --- number in parenthesis indicates gray scale level.
 Larger number corresponds to brighter level.
- 2) Data Signal : 1:High, 0:Low

6. Interface timing

(1) LVDS receiver timing (Interface of TFT module)

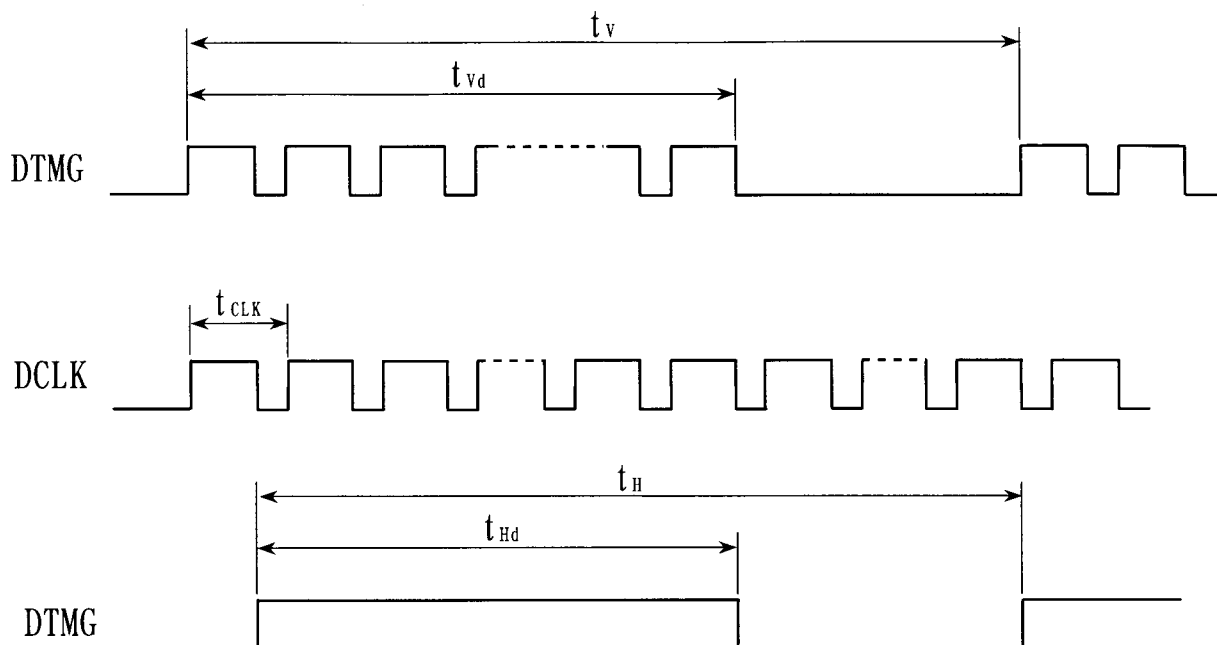


$$RinX = (RinX+) - (RinX-) \quad (X=0, 1, 2)$$

$$CLK = (CLK+) - (CLK-)$$

ITEM		SIMBOL	MIN.	TYP.	MAX.	UNIT	NOTE
DCLK	FREQUENCY	$1/t_{CLK}$	58	71	73	MHz	
$RinX$ ($X=0, 1, 2$)	0 data position	t_{RP0}	$\frac{1}{7}t_{CLK}-0.49$	$\frac{1}{7}t_{CLK}$	$\frac{1}{7}t_{CLK}+0.49$	ns	
	1st data position	t_{RP1}	-0.49	0	+0.49		
	2nd data position	t_{RP2}	$\frac{6}{7}t_{CLK}-0.49$	$\frac{6}{7}t_{CLK}$	$\frac{6}{7}t_{CLK}+0.49$		
	3rd data position	t_{RP3}	$\frac{5}{7}t_{CLK}-0.49$	$\frac{5}{7}t_{CLK}$	$\frac{5}{7}t_{CLK}+0.49$		
	4th data position	t_{RP4}	$\frac{4}{7}t_{CLK}-0.49$	$\frac{4}{7}t_{CLK}$	$\frac{4}{7}t_{CLK}+0.49$		
	5th data position	t_{RP5}	$\frac{3}{7}t_{CLK}-0.49$	$\frac{3}{7}t_{CLK}$	$\frac{3}{7}t_{CLK}+0.49$		
	6th data position	t_{RP6}	$\frac{2}{7}t_{CLK}-0.49$	$\frac{2}{7}t_{CLK}$	$\frac{2}{7}t_{CLK}+0.49$		

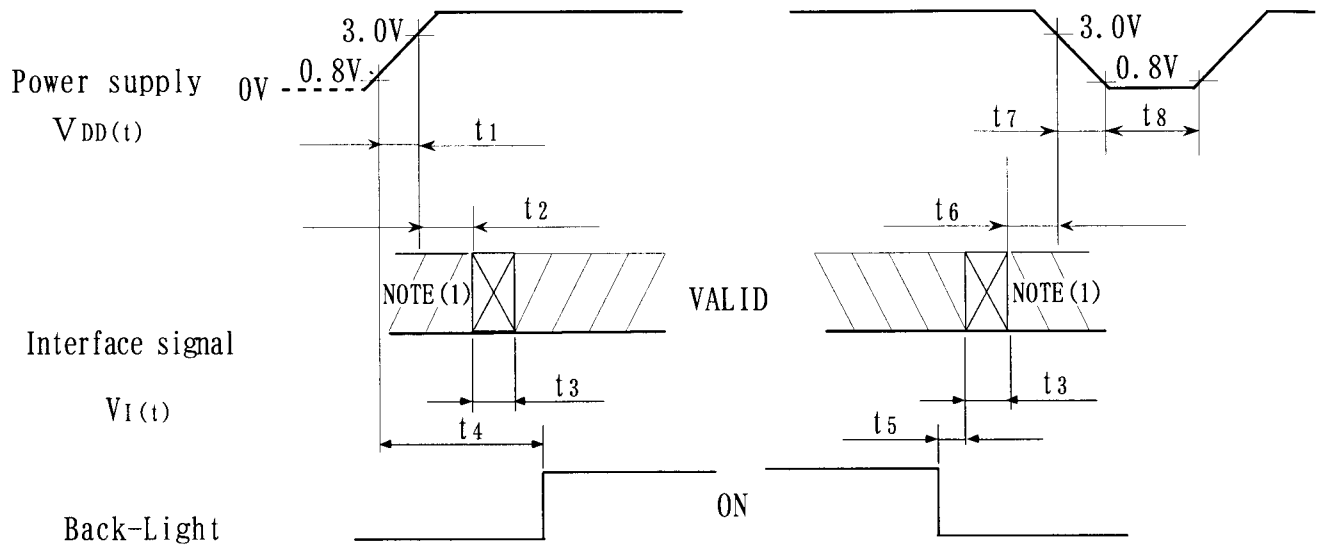
(2) timing converter timing
 (Input timing for transmitter)



The timings except mentioned above are referred to the specifications of your transmitter.

	Item	Symbol	Min.	Typ.	Max.	Unit
DCLK	Cycle time	t_{CLK}	13.7	14.1	17.3	ns
DTMG	Line cycle time	t_H	1440	1456	1560	t_{CLK}
	Line width-Active	t_{Hd}	1280	1280	1280	
	Frame cycle time	t_V	802	812	850	l_{ine}
	V width-Active	t_{Vd}	800	800	800	

(3) TIMING BETWEEN INTERFACE SIGNAL AND POWER SUPPLY



POWER ON

$t_1 \leq 15\text{ms}$

$0 < t_2 \leq 45\text{ms}$

$0 \leq t_3 \leq 5\text{ms}$

$0.1\text{s} \leq t_4$ NOTE (3)

POWER OFF

$5\text{ms} \leq t_5$

$0 \leq t_6 \leq 45\text{ms}$

$0 \leq t_7 \leq 20\text{ms}$

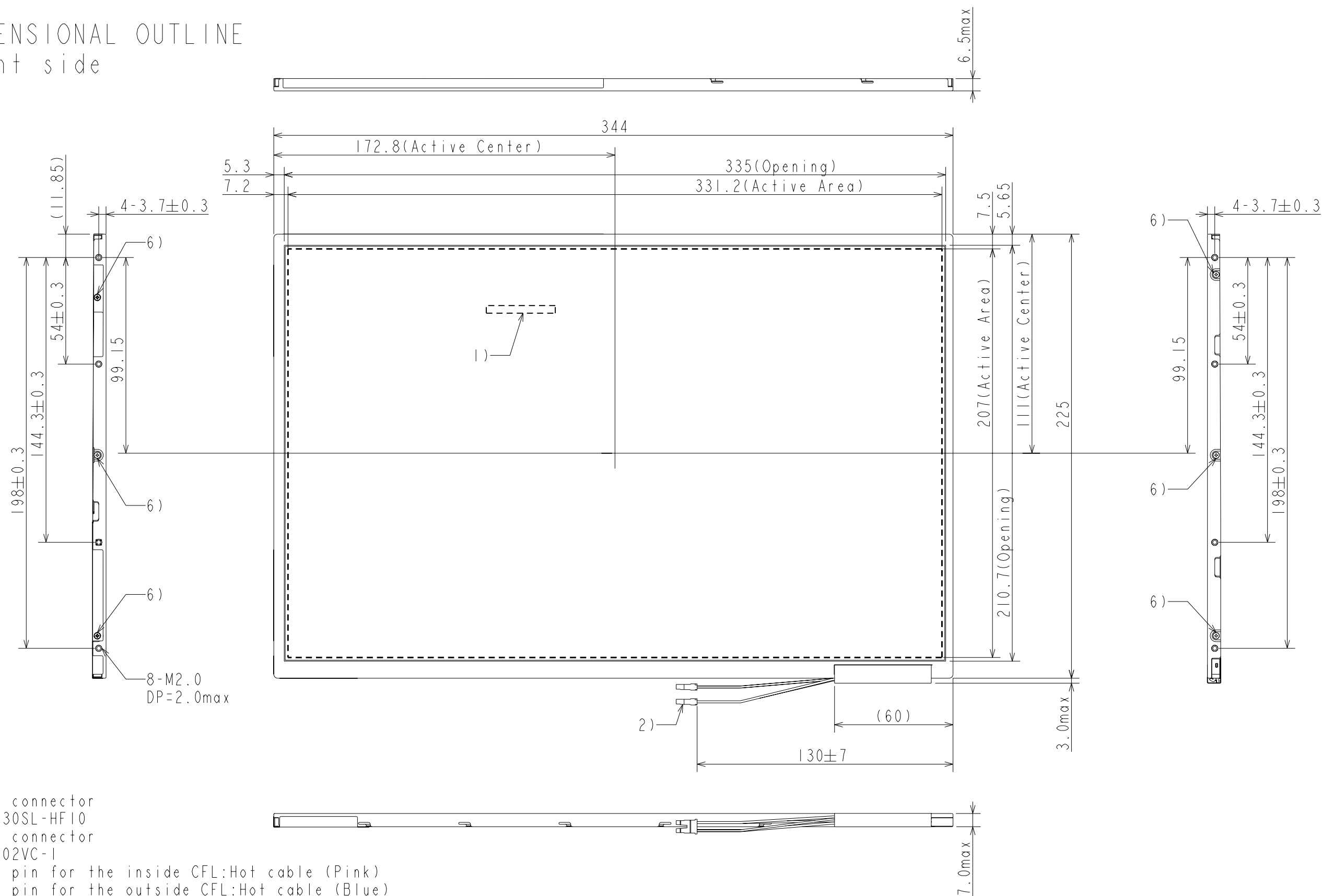
$0.4\text{s} \leq t_8$

NOTE (1) t_2 : Hi-Z (Hi-impedance) state

(2) t_3 : Signal transition time from Hi-Z state to Valid state specified by 3(1), 6(1) and (2).

(3) Recommended value

7. DIMENSIONAL OUTLINE
Front side

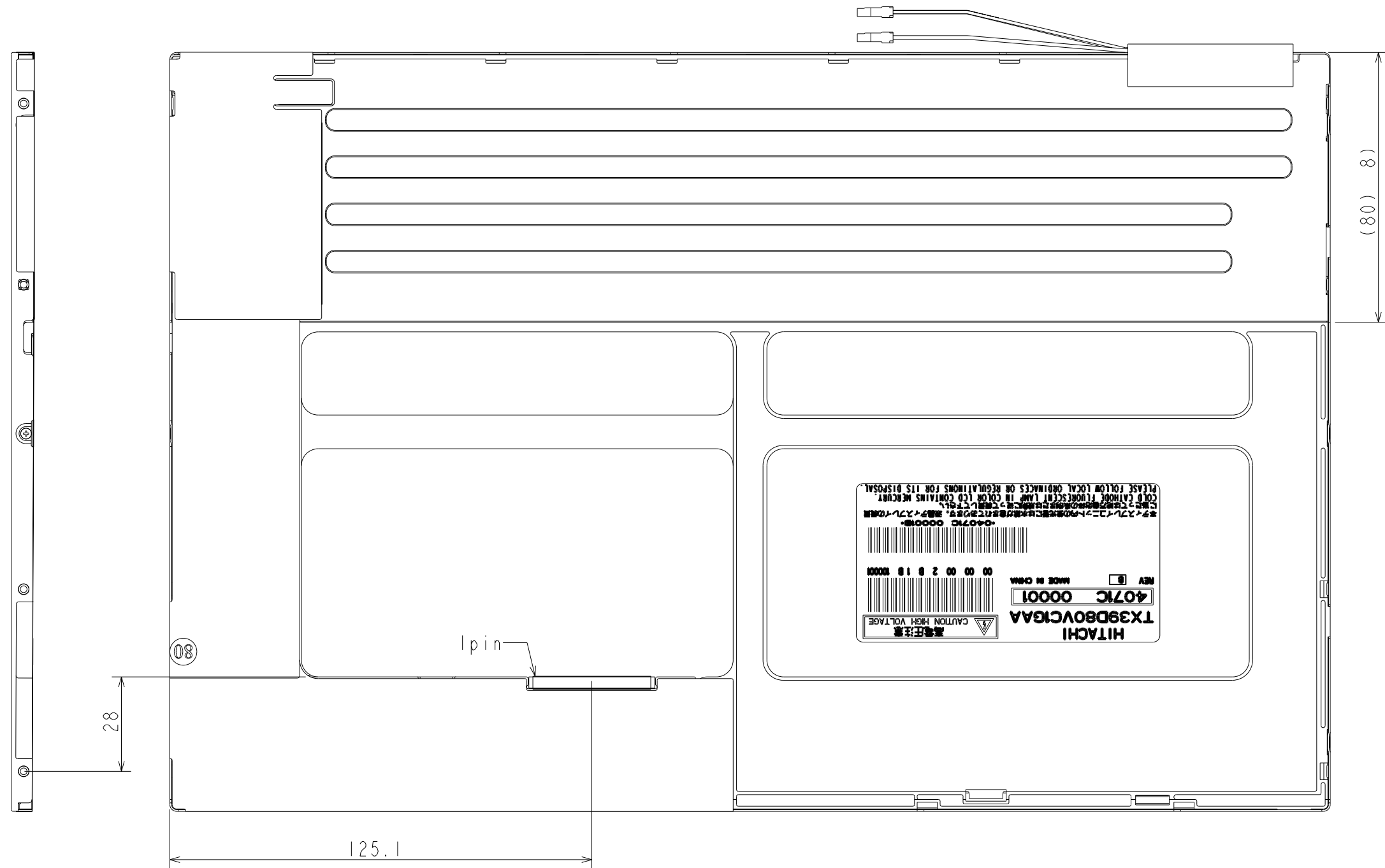


NOTE

- 1) Interface connector
JAE:FI-XB30SL-HF10
- 2) CFL cable connector
JST:BHSR-02VC-1
Connector pin for the inside CFL:Hot cable (Pink)
Connector pin for the outside CFL:Hot cable (Blue)
- 3) The unspecified tolerance:±0.5
- 4) Hole in mounting panel:8 holes
- 5) Maximum torque for the screw in mounting panel:0.196N·m(2.0kgf·cm)
- 6) There are 6 screws that was attached to the module.
- 7) Dimension measurement should be done with adding pressure of 9.8x10000[Pa](1kgf/cm²)

UNIT:mm

Back side



NOTE
8) Starting point of the slant on the module back side.