

HITACHI

Displays, Hitachi, Ltd.

DATE: Nov. 11, '99

TECHNICAL DATA

TENTATIVE SPECIFICATIONS OF 15" SUPER TFT-LCD MODULE

TX38D14VC0CAA

CONTENTS

No.	Item	Sheet No.	Page
-	COVER	3284STD 0711-1	1-1/1
-	-	-	-
-	DESCRIPTION	3284STD 0711-1	3-1/1
1	ABSOLUTE MAXIMUM RATINGS	3284STD 0711-1	4-1/1
2	OPTICAL CHARACTERISTICS	3284STD 0711-1	5-1/2~2/2
3	ELECTRICAL CHARACTERISTICS	3284STD 0711-1	6-1/1
4	BLOCK DIAGRAM	3284STD 0711-1	7-1/1
5	INTERFACE PIN CONNECTION	3284STD 0711-1	8-1/5~5/5
6	INTERFACE TIMING	3284STD 0711-1	9-1/3~3/3
7	DIMENSIONAL OUTLINE	3284STD 0711-1	10-1/3~3/3
8	DESIGNATION OF LOT MARK	3284STD 0711-1	11-1/1
9	-	-	-
10	PRECAUTIONS	3284STD 0711-1	13-1/3~3/3

Notes :

1. The information contained herein is tentative and may be changed without prior notices.
2. Please contact Hitachi before proceeding to the design of your product.

DESCRIPTION

The specifications are applied to the following SUPER TFT-LCD Modules..

Note : Inverter device for Back-Light is not built in the module.

Type Name: TX38D14VC0CAA

General Specifications

Effective Display Area	H 304.128 × V 228.096	(mm)
Resolution	XGA	
Number of Pixels	H 1024 × V 768	(pixels)
Pixel Pitch	H 0.297 × V 0.297	(mm)
Color Pixel Arrangement	R·G·B Vertical Stripe	
Display Mode	Transmissive Mode, Normally Black Mode	
Top polarizer Type	Anti-glare	
Number of Colors	16,777,216	(colors)
Viewing Angle Range	Super Wide version (Horizontal & Vertical : 160° at each direction, on the condition of Contrast Ratio ≥ 20)	
Input Signal	LVDS 1-channel	
Back-Light	4 pcs. of CFL (Edge Light 2 pcs. at each top and bottom side)	
External Dimensions	H 350 × V 265 × t 19	(mm)
Weight	Max. 1700	(g)

Note LVDS : Low Voltage Differential Signaling
CFL : Cathode Fluorescent Lamp

1. ABSOLUTE MAXIMUM RATINGS

1.1 ENVIRONMENTAL ABSOLUTE MAXIMUM RATINGS

Item	Operation		Non-operation		Unit	Note
	Min.	Max.	Min.	Max.		
Temperature	5	45	-20	60	°C	1)
Humidity	2)		2)		%RH	1)
Vibration	—	4.9 (0.5G)	—	19.6 (2G)	m/s ²	3)
Shock	—	29.4 (3G)	—	294 (30G)	m/s ²	4)
Corrosive Gas	Not Acceptable		Not Acceptable			
Illumination at LCD Surface	—	50,000	—	50,000	lx	

- Notes
- 1) "Temperature" and "Humidity" shall be at glass surface of a Super TFT-LCD Module, not in the system installed with the Module. Operation shall be at the temperature below 60°C at rear surface center. The brightness of a CFL in the Back-Light unit drops at lower temperature. Besides, the life of the CFL gets shorter at lower temperature.
 - 2) $T_a \leq 40^\circ\text{C}$ — • Humidity shall be less than 85 % RH Max. .
• Non condensation
 $T_a > 40^\circ\text{C}$ — • Absolute humidity shall be lower than the saturated vapor of the 85 % RH at 40 °C.
• Dew is prohibited.
 - 3) Frequency of the vibration shall be between 20 Hz and 50 Hz. (except resonance point)
 - 4) Pulse width of the shock shall be 7 ms.

1.2 ELECTRICAL ABSOLUTE MAXIMUM RATINGS

(1) SUPER TFT-LCD MODULE

VSS=0V

Item	Symbol	Min.	Max.	Unit	Note
Power Supply Voltage for logic	VDD	0	6	V	
Input signal Voltage for logic	VI	-0.3	3.3 +0.3	V	1)
Electrostatic Durability	VESD0	±100		V	2), 3)
	VESD1	±8		kV	2), 4)

- Notes
- 1) The specification shall be applied to pixel data signal and clock signal.
 - 2) Discharge circuit to be connected : 200 pF - 250 Ω, Environmental : 25°C - 70 % RH
 - 3) The specification shall be applied to I/F connector pins.
 - 4) The specification shall be applied to the surface of both a metal bezel and a LCD panel.

(2) BACK-LIGHT UNIT

GND=0V

Item	Symbol	Min.	Max.	Unit	Note
Lamp Current	IL	-	13.5	mA _{rms}	1)
Lamp Voltage	VL	-	2000	V _{rms}	2)

- Notes
- 1) The specification shall be applied to each CFL unit. (A CFL unit consists of two pieces of CFLs.)
 - 2) The specification shall be applied at connector pins for back-light units at start-up.

2. OPTICAL CHARACTERISTICS

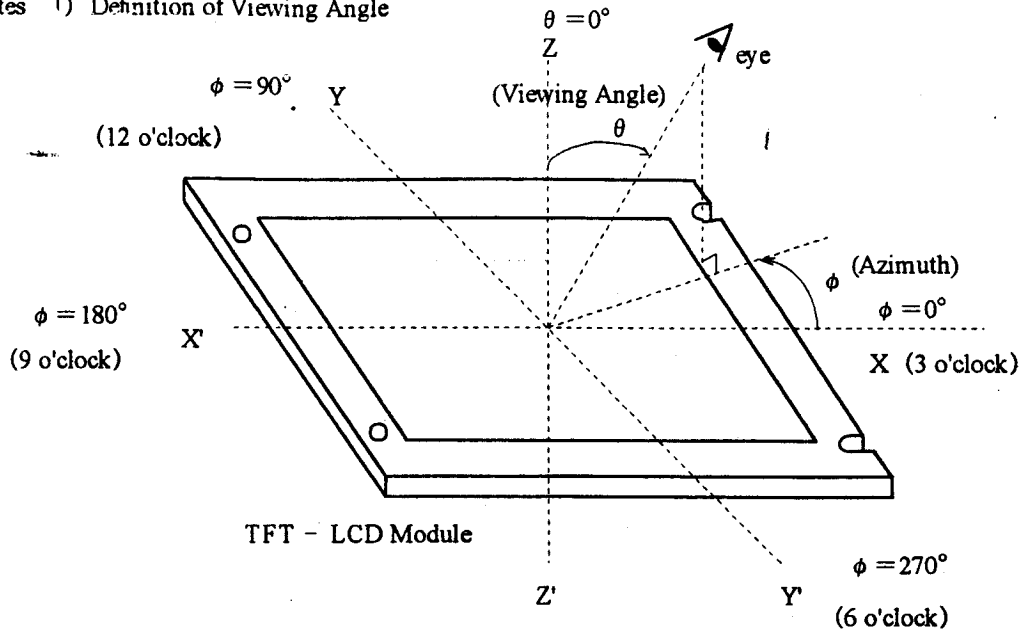
The following optical characteristics shall be measured during operation of the unit (SUPER TFT-LCD module and Back-Light) on the condition the measuring systems operation are stable. It takes about 30 minutes. The measured point shall be at the center of the LCD unless any specified. The ambient light excluding light from the backlight unit of the module shall be prohibited.

• Measuring equipment : Pritchard 1980A, or equivalent

Temperature of LCD = 25 °C, VDD = 5.0 V, fV = 60 Hz, IL= 12.0mA

Item	Symbol	Conditions	Min.	Typ.	Max.	Unit	Note	
Contrast Ratio	CR	$\theta = 0^\circ$ 1)	150	300	—		2)	
Response Time	Fall		ton	—	25	40	ms	3)
	Rise		toff	—	25	40	ms	3)
Brightness (White)	Bwh			160	200	—	cd/m ²	
Brightness Uniformity	Buni			70	—	—	%	4)
Color Position on CIE	Red		x	0.58	0.62	0.66	—	Gray scale =255th level (Maximum)
			y	0.30	0.34	0.38		
	Green		x	0.25	0.29	0.33		
			y	0.56	0.60	0.64		
	Blue		x	0.11	0.15	0.19		
		y	0.06	0.10	0.14			
	White	x	0.27	0.31	0.35			
		y	0.30	0.34	0.38			
Variation of Color Position on CIE	Red	Δx	—	—	0.05	—	Gray scale =255th level (Maximum) 5)	
		Δy	—	—	0.05			
	Green	Δx	$\theta = +50^\circ$ $\phi = 0^\circ, 90^\circ$ $180^\circ, 270^\circ$ 1)	—	—			0.05
		Δy		—	—			0.05
	Blue	Δx		—	—			0.05
		Δy		—	—			0.05
	White	Δx		—	—			0.05
		Δy		—	—			0.05
Contrast Ratio	at 80°	CR80°		$\theta = +80^\circ$ $\phi = 0^\circ, 90^\circ$ $180^\circ, 270^\circ$	20	—	—	—

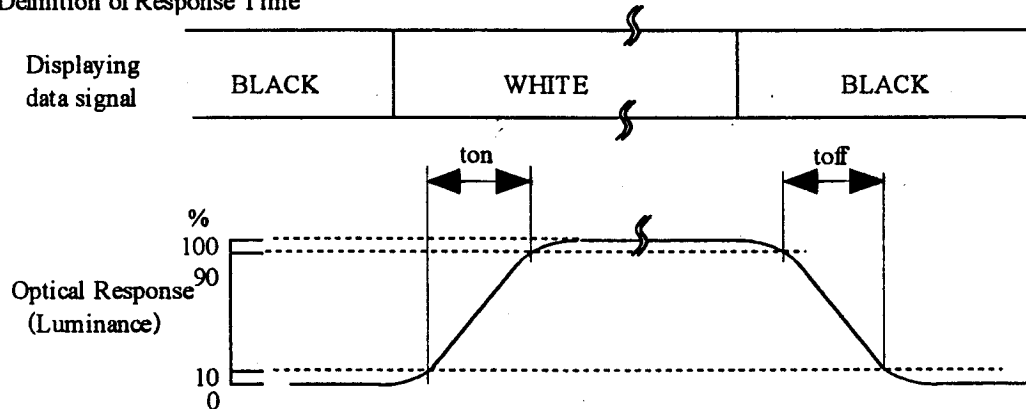
Notes 1) Definition of Viewing Angle



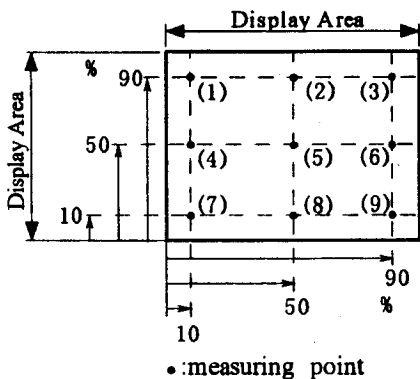
2) Definition of Contrast Ratio(CR):

$$CR = \frac{\text{(Luminance at displaying WHITE)}}{\text{(Luminance at displaying BLACK)}}$$

3) Definition of Response Time



4) Definition of Brightness Uniformity



The brightness uniformity (Buni) is defined as the following equation.

$$Buni = \frac{Bmin}{Bmax} \times 100$$

where, Bmax = Maximum brightness among 9 measuring points

Bmin = Minimum brightness among 9 measuring points

(Display Pattern) Gray scale=255th level

5) Variation of color position on CIE is defined as difference between colors

at $\theta = 0^\circ$ and at $\theta = 50^\circ$ & $\phi = 0^\circ, 90^\circ, 180^\circ, 270^\circ$.

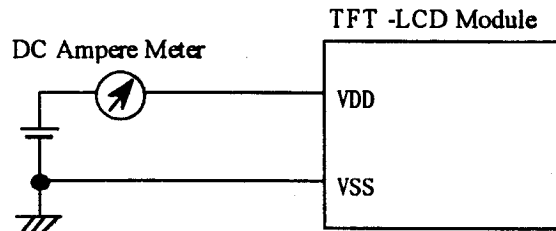
3. ELECTRICAL CHARACTERISTICS

3.1 SUPER TFT-LCD MODULE

VDD=5.0V, Ta=25°C, VSS=0V

Item	Symbol	Min.	Typ.	Max.	Unit	Note
Power Supply Voltage	VDD	4.5	5	5.5	V	
Power Supply Current	IDD	—	660	900	mA	1), 2)
VSYNC Frequency	fV	—	60	75	Hz	
HSYNC Frequency	fH	—	48.4	60.24	kHz	
DCLK Frequency	fCLK	—	65	80	MHz	
Input Signals	VI	—	—	—	V	3)

Notes 1) DC current at fV=60Hz, fCLK=65 MHz, VDD=5.0V, and All white screen



2) Current fuse is built in the module 1.6A.

Current capability of the power supply for VDD shall be larger than 3.2A.

3) Characteristics of the input signals are to conform to the LVDS-data-sheets.

(transmitter : THC63LVDM83A (LVDS83A), receiver :THC63LVDF64A. by THine Microsystems, Inc.)

3.2 BACK-LIGHT UNIT

Ta=25°C

Item	Symbol	Min.	Typ.	Max.	Unit	Note
Lamp Current	IL	6.5	—	13.0	mArms	1), 4)
Lamp Voltage	VL	—	600	—	Vrms	5)
Frequency	fL	40	—	60	kHz	2)
Starting Lamp Voltage	VS	1500	—	1950	Vrms	3)

Notes

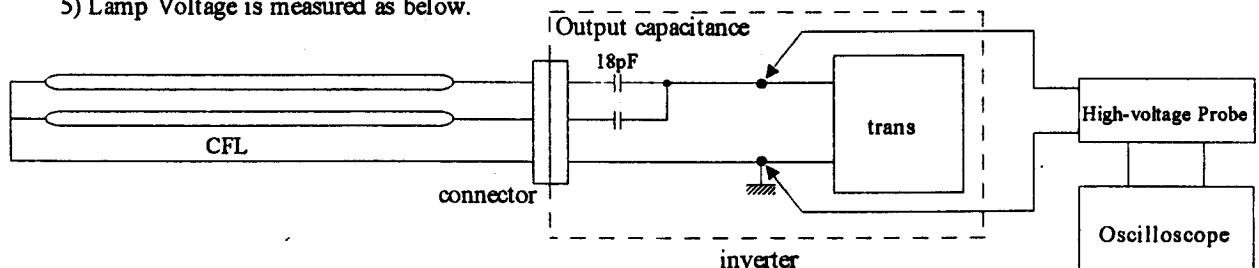
1) Longer IL causes the shorter life of a lamp CFL.

2) Frequency of power supply for a CFL may cause interference with HSYNC frequency and causes beat or flicker on the display. Therefore, lamp frequency shall be as different as possible from HSYNC frequency in order to avoid the interference.

3) Ta = 0 °C

4) The specification shall be applied to each CFL unit. (A CFL unit consists of two pieces of CFL.)

5) Lamp Voltage is measured as below.

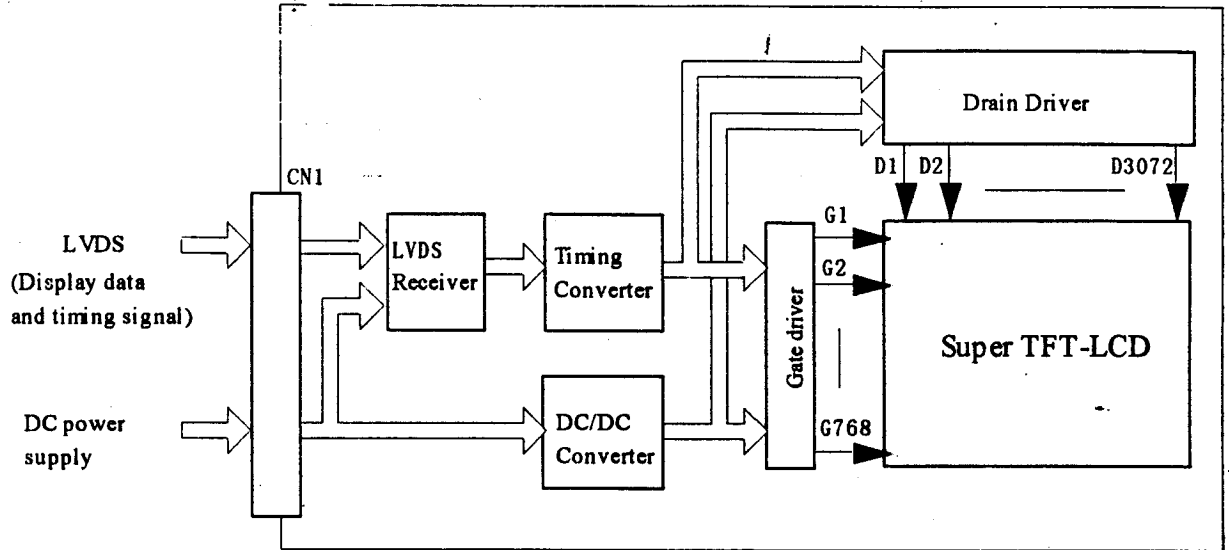


6) Recommended inverter for the back-light unit:

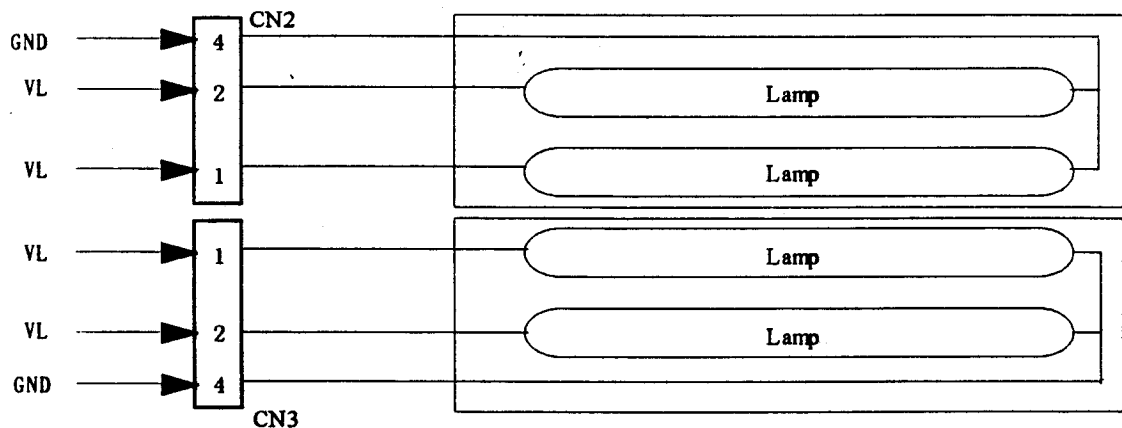
MODEL: PH - BLC51 by HITACHI MEDIA ELECTRONICS

4. BLOCK DIAGRAM

4.1 TFT-LCD MODULE



4.2 BACK-LIGHT UNIT



Color of wires from CFL to CN2 and CN3

- 4 (GND) : White
- 1, 2 (VL) : Pink

5. INTERFACE PIN CONNECTION

5.1 TFT-LCD MODULE

CN1 : FI-SE20P-HF (JAE) Mating connector : FI-SE20M (JAE)

Pin No.	Symbol	Description	Note
1	VDD	Power Supply (typ.+5V)	1)
2	VDD		
3	VSS	GND (0V)	2)
4	VSS		
5	Rx0-	Pixel Data	3)
6	Rx0+		
7	VSS	GND (0V)	2)
8	Rx1-	Pixel Data	3)
9	Rx1+		
10	VSS	GND (0V)	2)
11	Rx2-	Pixel Data	3)
12	Rx2+		
13	VSS	GND (0V)	2)
14	CLK-	Pixel Clock	3)
15	CLK+		
16	VSS	GND (0V)	2)
17	Rx3-	Pixel Data	3)
18	Rx3+		
19	VSS	GND (0V)	2)
20	VDD	Power Supply (typ.+5V)	1)

- Notes
- 1) All VDD pins shall be connected to +5.0V(Typ.).
 - 2) All VSS pins shall be grounded. Metal bezel is internally connected to VSS.
 - 3) Rx n+ and Rx n- (n=1,2,3) should be wired by twist-pairs or side-by-side FPC patterns, respectively.

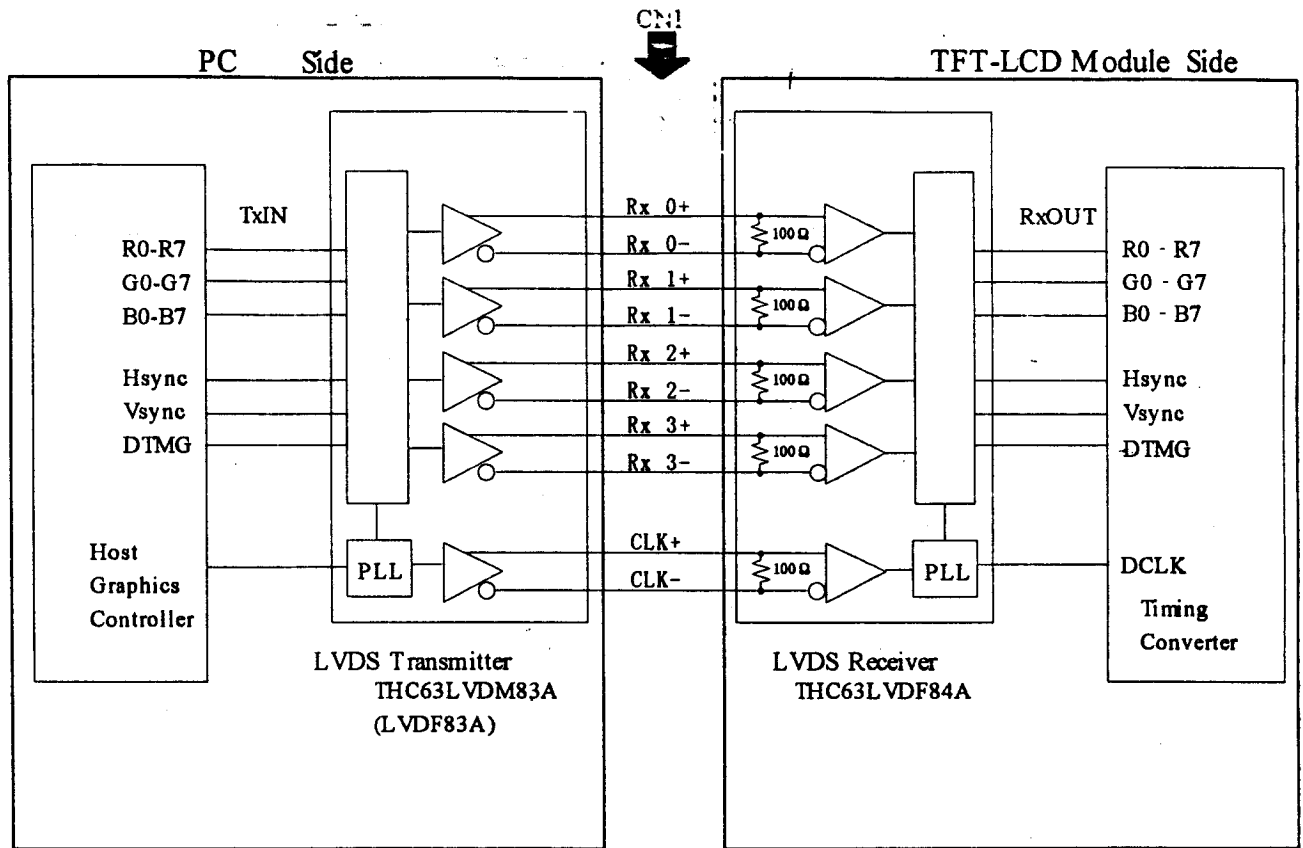
5.2 BACK-LIGHT UNIT

CN2, CN3 : BHR-04VS-1 (J.S.T.)

Mating connector: SM03(7-D1)B-BHS-1 (J.S.T.)

Pin No.	Symbol	Description	Note
1	VL	Power Supply	
2	VL	Power Supply	
3	NC	No connection	
4	GND	GND(0V)	

5.3 BLOCK DIAGRAM OF INTERFACE



- R0~R7 : Pixel R Data
- G0~G7 : Pixel G Data
- B0~B7 : Pixel B Data
- HSYNC : Horizontal synchronization signal
- VSYSN : Vertical synchronization signal
- DTMG : Display timing signal

- Notes
- 1) The system must have the transmitter to drive the module.
 - 2) LVDS cable impedance shall be 50 ohms per signal line or about 100 ohms per twist-pair line when it is used differentially.

5.4 LVDS INTERFACE

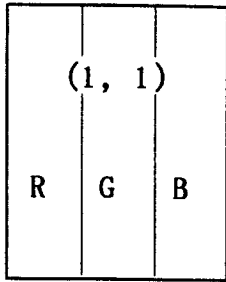
	SIGNAL	TRANSMITTER THC63LVDM83A		INTERFACE CONNECTOR		RECEIVER THC63LVDF84A		TFT CONTROL
		PIN	INPUT	PC	TFT-LCD	PIN	OUTPUT	INPUT
24bit	R2	51	TxIN0	TA OUT0+	Rx0+	27	Rx OUT0	R2
	R3	52	TxIN1			29	Rx OUT1	R3
	R4	54	TxIN2			30	Rx OUT2	R4
	R5	55	TxIN3			32	Rx OUT3	R5
	R6	56	TxIN4	TA OUT0-	Rx0-	33	Rx OUT4	R6
	R7	3	TxIN6			35	Rx OUT6	R7
	G2	4	TxIN7			37	Rx OUT7	G2
	G3	6	TxIN8			38	Rx OUT8	G3
	G4	7	TxIN9	TA OUT1+	Rx1+	39	Rx OUT9	G4
	G5	11	TxIN12			43	Rx OUT12	G5
	G6	12	TxIN13			45	Rx OUT13	G6
	G7	14	TxIN14			46	Rx OUT14	G7
	B2	15	TxIN15	TA OUT1-	Rx1-	47	Rx OUT15	B2
	B3	19	TxIN18			51	Rx OUT18	B3
	B4	20	TxIN19			53	Rx OUT19	B4
	B5	22	TxIN20			54	Rx OUT20	B5
	B6	23	TxIN21	TA OUT2+	Rx2+	55	Rx OUT21	B6
	B7	24	TxIN22			1	Rx OUT22	B7
	HSYNC	27	TxIN24			3	Rx OUT24	HSYNC
	VSYNC	28	TxIN25			5	Rx OUT25	VSYNC
	DTMG	30	TxIN26	TA OUT2-	Rx2-	6	Rx OUT26	DTMG
	R0	50	TxIN27			7	Rx OUT27	R0
	R1	2	TxIN5			34	Rx OUT5	R1
	G0	8	TxIN10			41	Rx OUT10	G0
G1	10	TxIN11	TA OUT3+	Rx3+	42	Rx OUT11	G1	
B0	16	TxIN16			49	Rx OUT16	B0	
B1	18	TxIN17			50	Rx OUT17	B1	
RSVD 1)	25	TxIN23			2	Rx OUT23	not connect	
	DCLK	31	TxCLK IN	TxCLK OUT+	RxCLK IN+	26	RxCLK OUT	DCLK
				TxCLK OUT-	RxCLK IN-			

R0~R7 : Pixel R Data (7 ; MSB, 0 ; LSB)
 G0~G7 : Pixel G Data (7 ; MSB, 0 ; LSB)
 B0~B7 : Pixel B Data (7 ; MSB, 0 ; LSB)
 HSYNC : Horizontal synchronization signal
 VSYNC : Vertical synchronization signal
 DTMG : Display timing signal

Notes 1) RSVD(reserved) pins on the transmitter shall be "H" or "L".

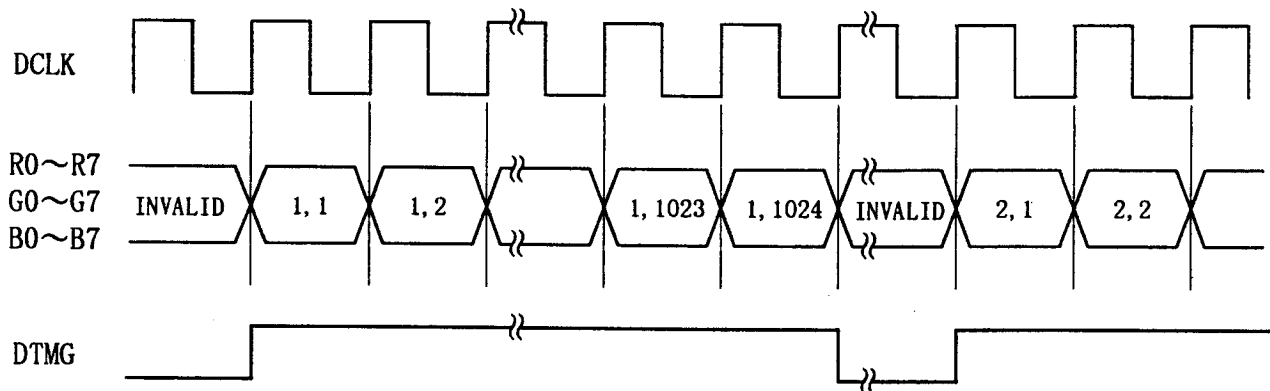
5.5 CORRESPONDENCE BETWEEN INPUT DATA AND SCREEN IMAGE

Display data of adjacent one pixel is latched during one cycle of DCLK



pixel : R0~R7 :R data
 G0~G7 :G data
 B0~B7 :B data

1, 1	1, 2	1, 3	_____	1, 1024
2, 1	2, 2	2, 3	_____	2, 1024
3, 1	3, 2	3, 3	_____	3, 1024
768, 1	768, 2	768, 3	_____	768, 1024



5.5 RELATIONSHIP BETWEEN DISPLAYED COLOR AND INPUT DATA

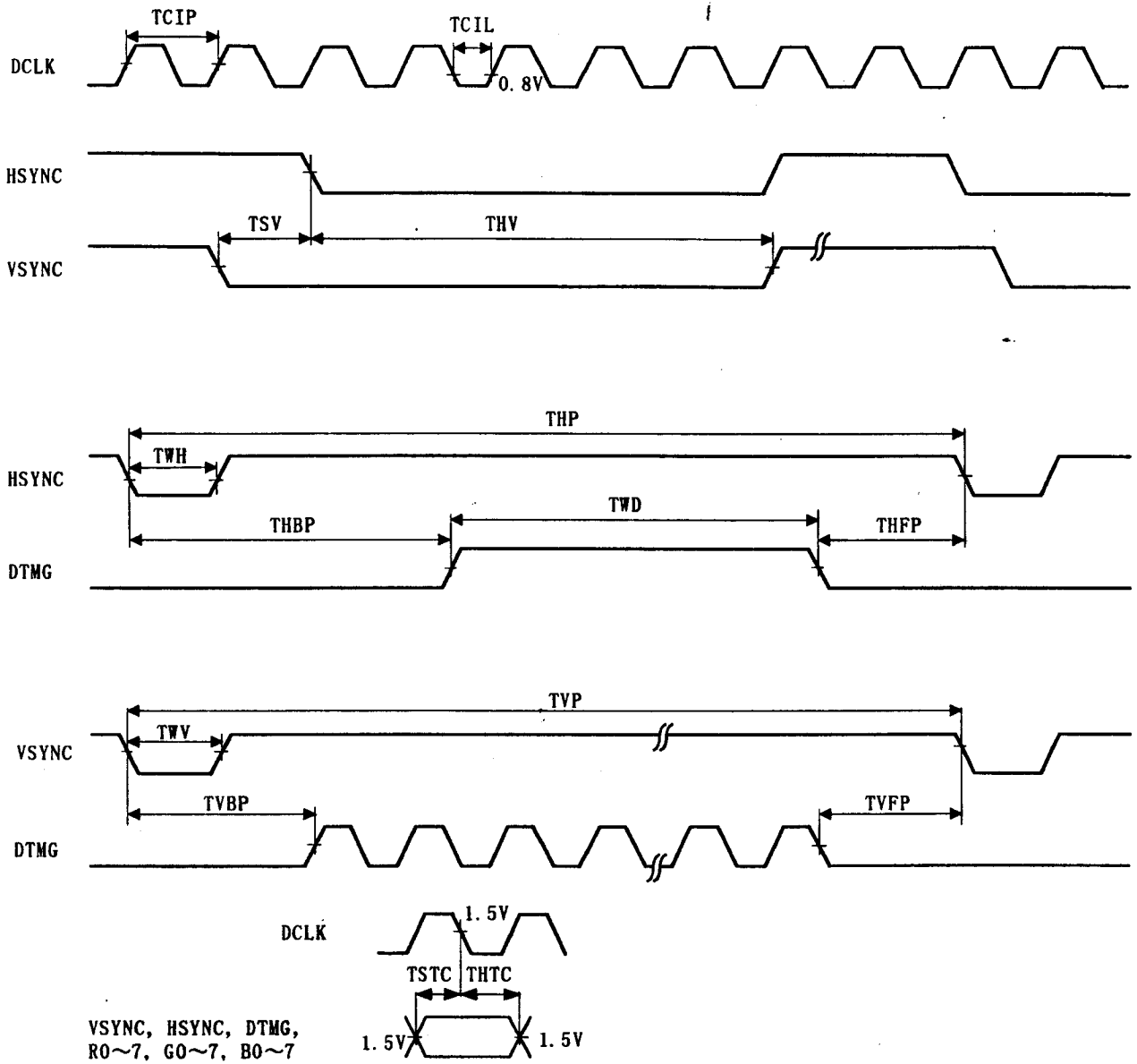
Color	Input	Red Data								Green Data								Blue Data							
		R7	R6	R5	R4	R3	R2	R1	R0	G7	G6	G5	G4	G3	G2	G1	G0	B7	B6	B5	B4	B3	B2	B1	B0
		MSB				LSB				MSB				LSB				MSB				LSB			
Basic Color	Black	0	0	0	0	0	0	0	0	0	0	0	0	0	0	0	0	0	0	0	0	0	0	0	0
	Red (255)	1	1	1	1	1	1	1	1	0	0	0	0	0	0	0	0	0	0	0	0	0	0	0	
	Green(255)	0	0	0	0	0	0	0	0	1	1	1	1	1	1	1	0	0	0	0	0	0	0	0	
	Blue (255)	0	0	0	0	0	0	0	0	0	0	0	0	0	0	0	1	1	1	1	1	1	1	1	
	Cyan	0	0	0	0	0	0	0	0	1	1	1	1	1	1	1	1	1	1	1	1	1	1	1	
	Magenta	1	1	1	1	1	1	1	1	0	0	0	0	0	0	0	1	1	1	1	1	1	1	1	
	Yellow	1	1	1	1	1	1	1	1	1	1	1	1	1	1	1	0	0	0	0	0	0	0	0	
	White	1	1	1	1	1	1	1	1	1	1	1	1	1	1	1	1	1	1	1	1	1	1	1	
Red	Black	0	0	0	0	0	0	0	0	0	0	0	0	0	0	0	0	0	0	0	0	0	0	0	
	Red (1)	0	0	0	0	0	0	0	1	0	0	0	0	0	0	0	0	0	0	0	0	0	0	0	
	Red (2)	0	0	0	0	0	0	1	0	0	0	0	0	0	0	0	0	0	0	0	0	0	0	0	
	:	:	:	:	:	:	:	:	:	:	:	:	:	:	:	:	:	:	:	:	:	:	:	:	
	:	:	:	:	:	:	:	:	:	:	:	:	:	:	:	:	:	:	:	:	:	:	:	:	
	Red (254)	1	1	1	1	1	1	1	0	0	0	0	0	0	0	0	0	0	0	0	0	0	0	0	
	Red (255)	1	1	1	1	1	1	1	1	0	0	0	0	0	0	0	0	0	0	0	0	0	0	0	
Green	Black	0	0	0	0	0	0	0	0	0	0	0	0	0	0	0	0	0	0	0	0	0	0	0	
	Green(1)	0	0	0	0	0	0	0	0	0	0	0	0	0	0	1	0	0	0	0	0	0	0	0	
	Green(2)	0	0	0	0	0	0	0	0	0	0	0	0	0	0	1	0	0	0	0	0	0	0	0	
	:	:	:	:	:	:	:	:	:	:	:	:	:	:	:	:	:	:	:	:	:	:	:	:	
	:	:	:	:	:	:	:	:	:	:	:	:	:	:	:	:	:	:	:	:	:	:	:	:	
	Green(254)	0	0	0	0	0	0	0	0	1	1	1	1	1	1	1	0	0	0	0	0	0	0	0	
	Green(255)	0	0	0	0	0	0	0	0	1	1	1	1	1	1	1	0	0	0	0	0	0	0	0	
Blue	Black	0	0	0	0	0	0	0	0	0	0	0	0	0	0	0	0	0	0	0	0	0	0	0	
	Blue(1)	0	0	0	0	0	0	0	0	0	0	0	0	0	0	0	0	0	0	0	0	0	0	1	
	Blue(2)	0	0	0	0	0	0	0	0	0	0	0	0	0	0	0	0	0	0	0	0	0	1	0	
	:	:	:	:	:	:	:	:	:	:	:	:	:	:	:	:	:	:	:	:	:	:	:	:	
	:	:	:	:	:	:	:	:	:	:	:	:	:	:	:	:	:	:	:	:	:	:	:	:	
	Blue(254)	0	0	0	0	0	0	0	0	0	0	0	0	0	0	0	1	1	1	1	1	1	1	0	
	Blue(255)	0	0	0	0	0	0	0	0	0	0	0	0	0	0	0	1	1	1	1	1	1	1	1	

Notes 1) Definition of gray scale:
 Color(n) Number in parenthesis indicates gray scale level. Larger n corresponds to brighter level.

2) Data: 1:High, 0:Low

6. INTERFACE TIMING

6.1 TIMING CHART



Notes 1) Reference level for each timing signal is 1.5V unless it is stated on the chart, high level voltage(V_{IH}) and low level voltage(V_{IL}) are defined as follows:

$$V_{IH} \geq 2.0V \quad V_{IL} \leq 0.8V$$

The above definition conforms to the specifications of LVDS transmitter (THC63LVDM83A / by THine Microsystems, Inc.).

- 2) The timing of DCLK to other signals conforms to the specifications of LVDS transmitter.
- 3) HSYNC, VSYNC timing is specified in negative polarity.
- 4) HSYNC pulse is needed while data is invalid (blanking period).

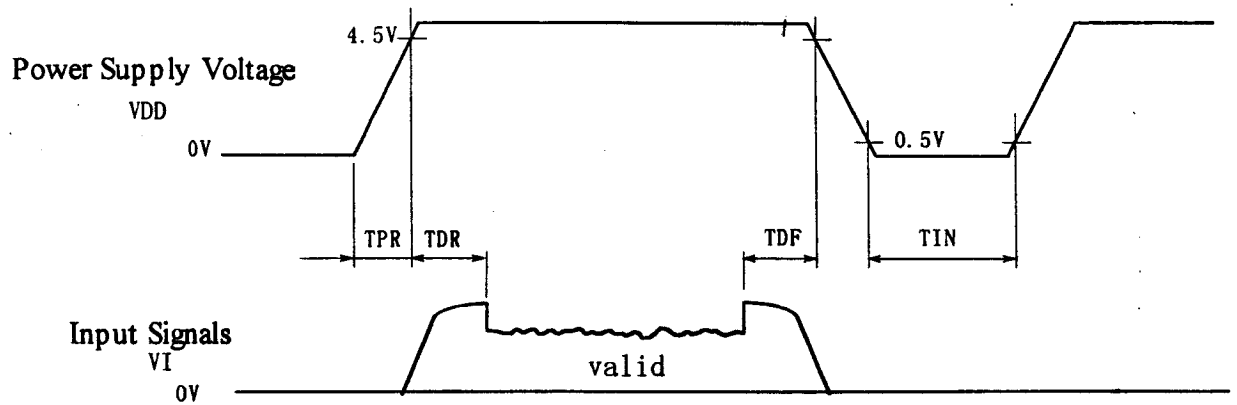
6.2 INTERFACE TIMING SPECIFICATIONS

	Item	Symbol	Min.	Typ.	Max.	Unit	Note
DCLK	Period	TCIP	12.5	—	—	ns	
	Duty	D	0.35	0.5	0.65		D=TCIL/TCIP
HSYNC	Period	THP	1072	—	2500	TCIP	
	Width-Active	TWH	8	—	240	TCIP	
VSYNC	Set up Time	TSV	0	—	—	TCIP	to HSYNC
	Hold Time	THV	2	—	—	TCIP	
	Period	TVP	772	—	1000	THP	
	Width-Active	TWV	1	—	120	THP	
DTMG	Horizontal Back porch	THBP	48	—	510	TCIP	
	Horizontal Front Porch	THFP	0	—	1)	TCIP	
	Vertical Back Porch	TVBP	3	—	2)	THP	
	Vertical Front porch	TVFP	0	—	2)	THP	
	Width-Active	TWD	1024	—	—	TCIP	
COMMON	Set up Time	TSTC	5	—	3)	ns	
	Hold Time	THTC	3	—	3)	ns	

In addition to the above, these timing should conform to the followings.

- 1) $THBP+THFP \leq 714 \text{ TCIP}$.
- 2) $TVBP+TVFP \leq 253 \text{ THP}$.
- 3) TSTC and THTC conforms to the specifications of LVDS transmitter.
It is preferable to check the specifications of LVDS transmitter in your system.
- 4) $fV = 1/TVP \leq 75\text{Hz}$ (Refer to 3. ELECTRICAL CHARACTERISTICS)
- 5) $fH = 1/THP \leq 60.24\text{kHz}$ (Refer to 3. ELECTRICAL CHARACTERISTICS)

6.3 TIMING BETWEEN INTERFACE SIGNAL AND POWER SUPPLY



Timing of power supply voltage and input signals shall be specified as the followings.

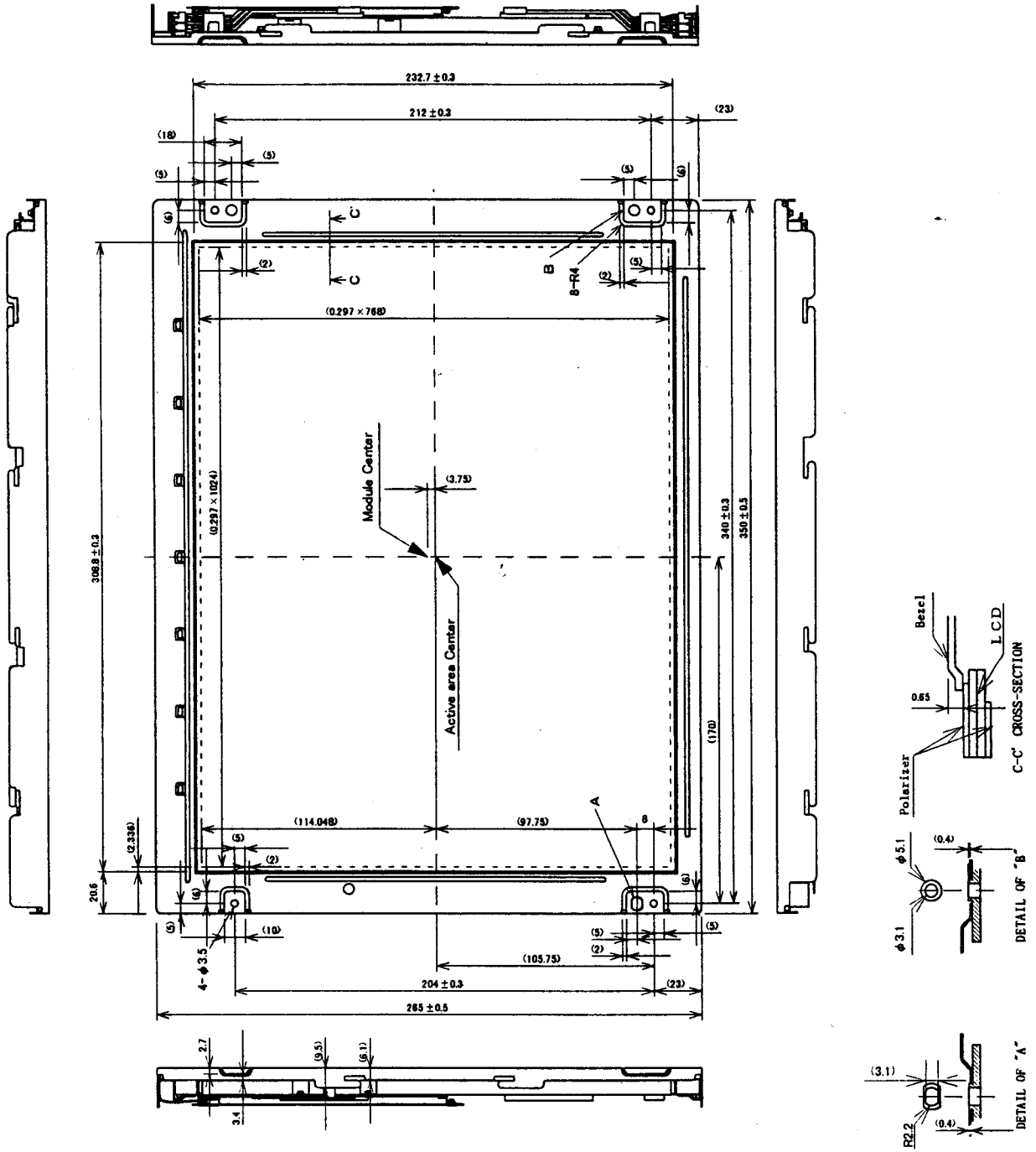
$$0\text{ms} \leq TPR \leq 20\text{ms}$$

$$0\text{ms} \leq TDR \leq 20\text{ms}$$

$$0\text{ms} \leq TDF \leq 50\text{ms}$$

$$TIN \geq 200\text{ms}$$

7. DIMENSIONAL OUTLINE
(1) FRONT SIDE

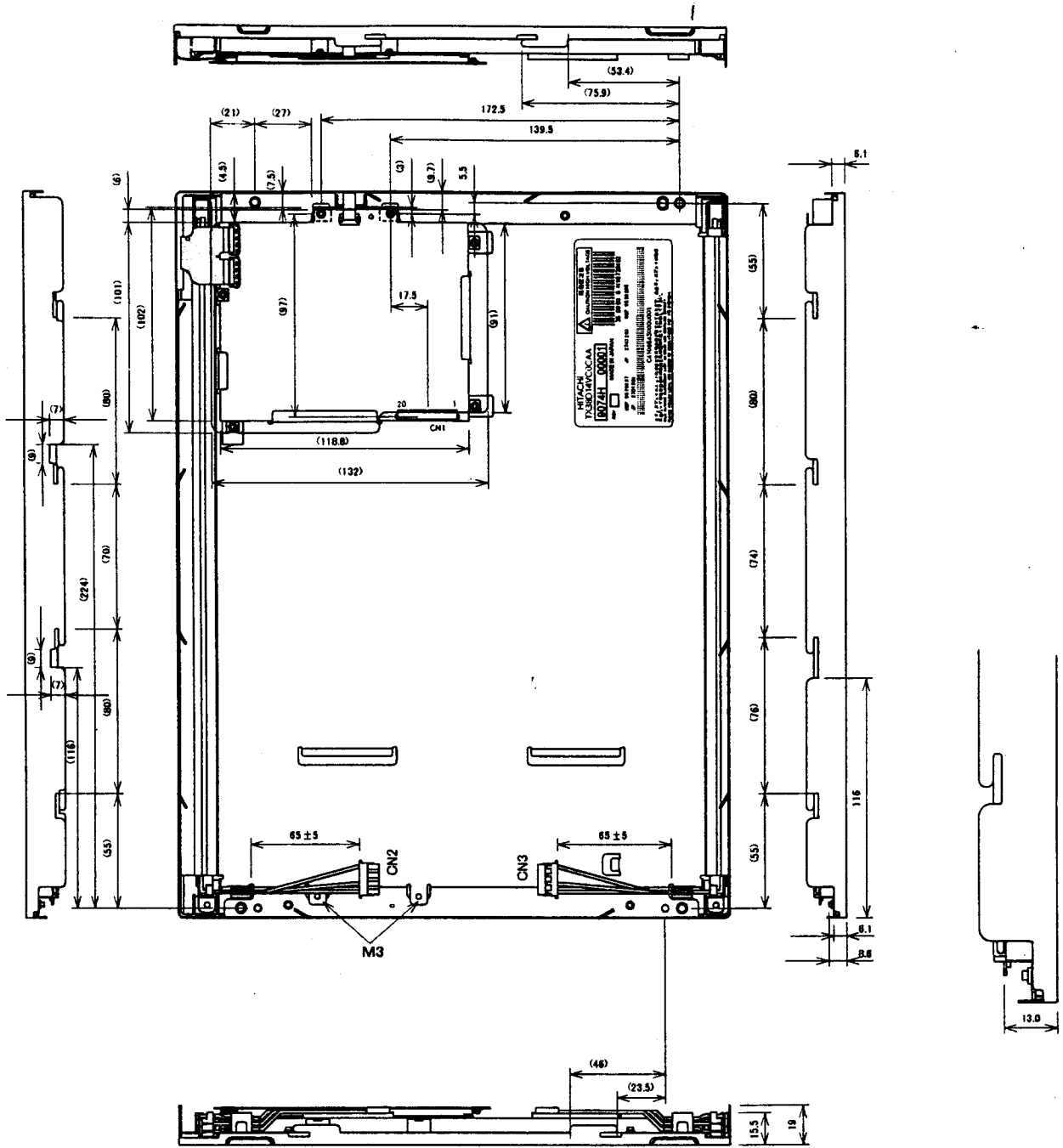


notes 1) Dimension in parenthesis are reference value.
2) Tolerance not specified is $\pm 0.5\text{mm}$.

Unit:mm
Scale:NTS

Hitachi, Ltd.	Date	Nov. 11 '99	Sheet No.	3284STD-0711	Page	10-1/3
---------------	------	-------------	-----------	--------------	------	--------

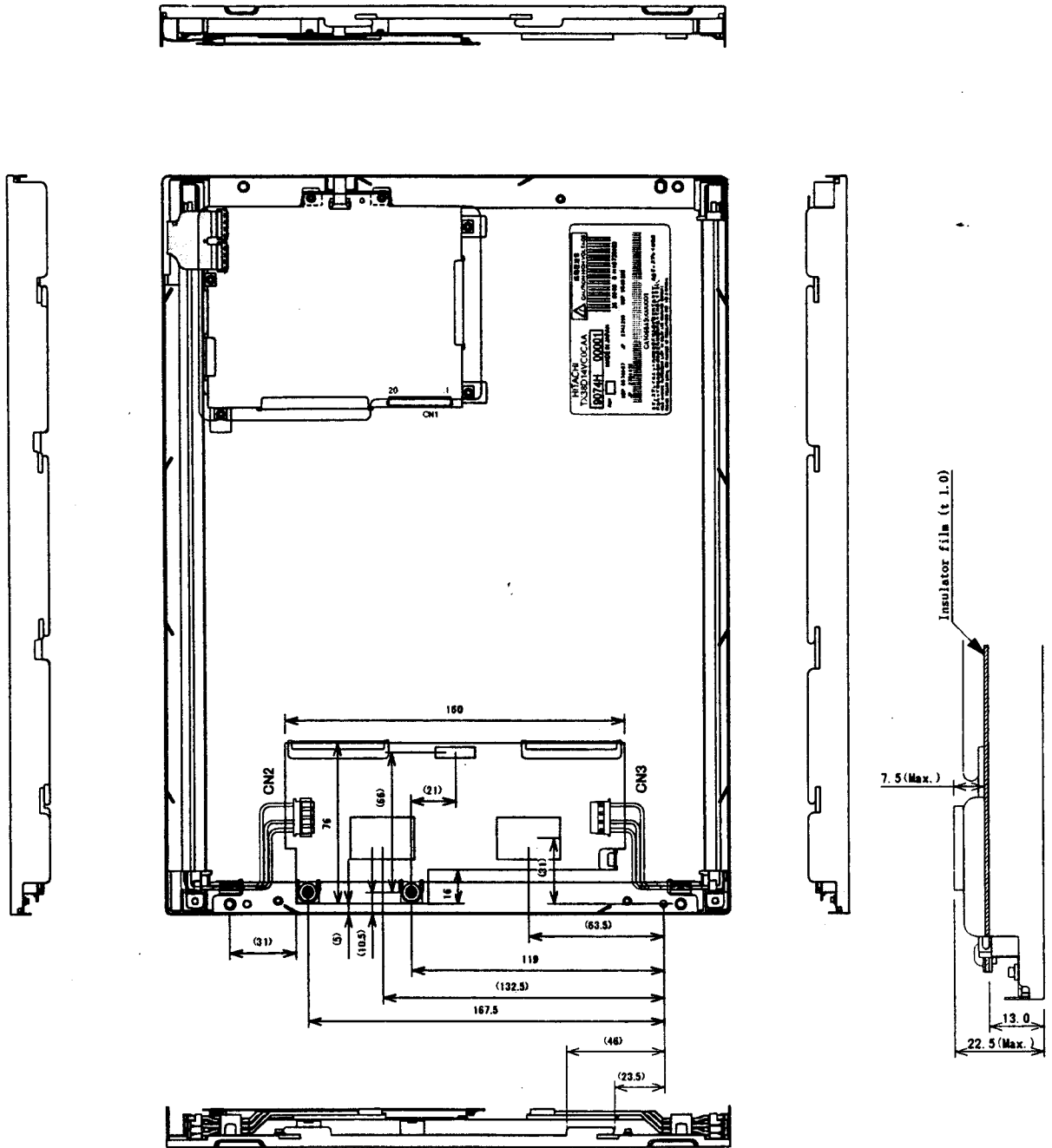
(2)BACK SIDE



Unit:mm
Scale:NTS

Hitachi,Ltd	Date	Nov.11.'99	Sheet No.	3284STD-0711	Page	10-2/3
-------------	------	------------	-----------	--------------	------	--------

(3)BACK SIDE(Recommending inverter for the back-light unit):Reference

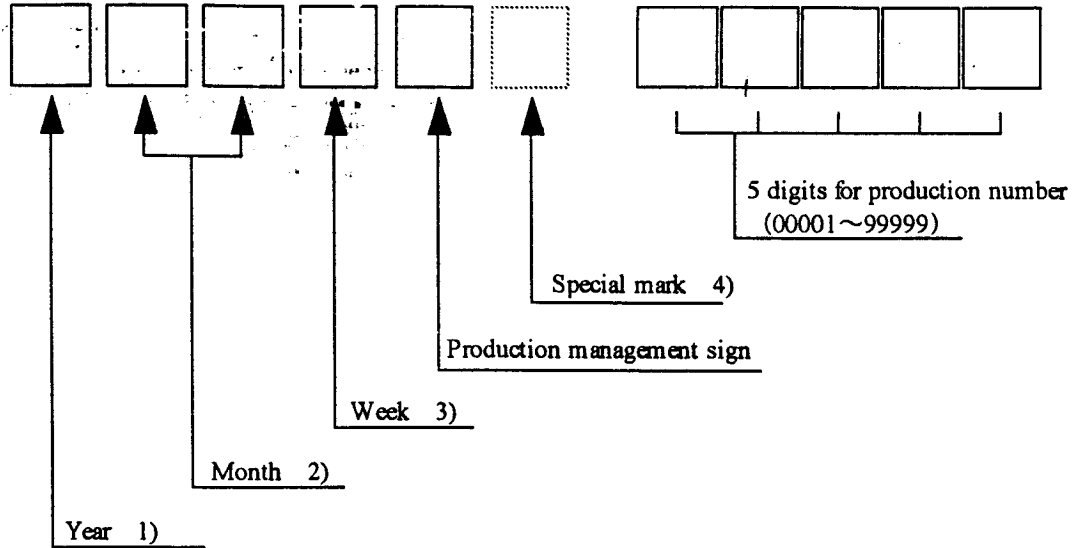


Unit:mm
Scale:NTS

Hitachi,Ltd	Date	Nov.11.'99	Sheet No.	3284STD-0711	Page	10-3/3
-------------	------	------------	-----------	--------------	------	--------

3. DESIGNATION OF LOT MARK

8.1 LOT MARK



Notes

1)

Year	Mark
1999	9
2000	0
2001	1
2002	2
2003	3

2)

Month	Mark	Month	Mark
1	01	7	07
2	02	8	08
3	03	9	09
4	04	10	10
5	05	11	11
6	06	12	12

3)

Week (Days)	Mark
1~7	1
8~14	2
15~21	3
22~28	4
29~31	5

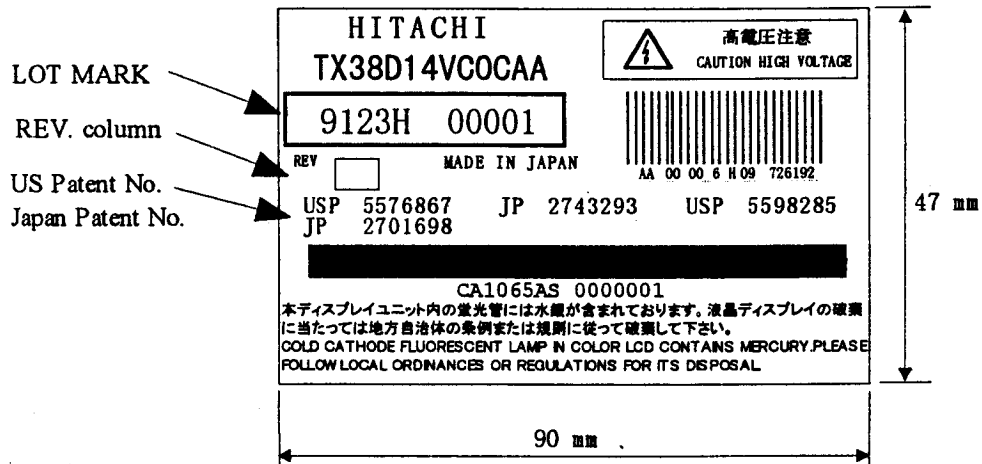
4) The special mark may be added by manufacturing accordingly to production number.

8.2 REVISION(REV.) CONTROL

REV. column is controlled by the manufacturing. A-Z except I and O is to be written on this column.

8.3 LOCATION OF LOT MARK

Lot mark is printed on a label. The label is on the metal bezel as shown in the drawing at Section 7. The style of character may be changed without notice.



10. PRECAUTIONS

Please take care about the followings in handling the TFT Module.

10.1 PRECAUTIONS IN MOUNTING MODULE

- (1) Please do not give a stress on the module which cause damage on the metal, plastic, and LCD glass.
- (2) The module should be appropriately handled by both hands. Please never hold top and bottom side of the module by just one hand.
- (3) The module should be mounted into the enclosure by each mounting hole on the corner.
- (4) Please ensure the module not be stressed in being mounted.
- (5) Then the module should be placed around 1mm from inside of the enclosure as shown in Fig. 1.

In case of placing CFL inverter unit in the rear side of the module, the transformer of the inverter also should be kept away more than 1mm from the module considering heat and electrical affection.

It is preferable to check the distance with the performance of the transformer.

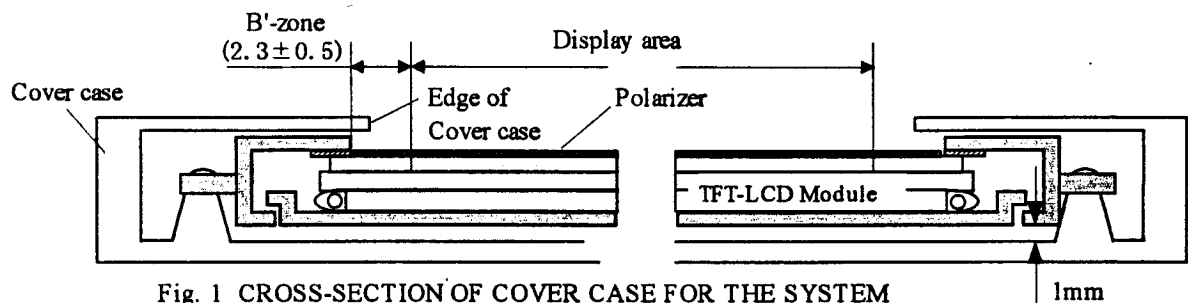
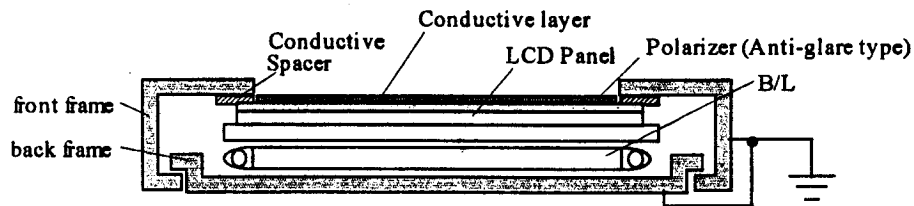


Fig. 1 CROSS-SECTION OF COVER CASE FOR THE SYSTEM

- (6) The edge of the front plastic window should be within the B'-zone shown in Fig. 1 by more than 1 mm from the metal frame window of the module.
- (7) It is preferable to place a transparent plate on the display area in order to protect the polarizer and LCD glass. The plate should be placed away from the surface of the module.
- (8) Please do not use acetic acid & chlorine type materials for enclosure & other components surrounding the module since these materials give rise to the gas at high temperature which degrade the polarizer and cause open circuit at the module electrical circuit due to electro-chemical reaction.
- (9) Polarizer is easily scratched and should be carefully handled then. Please do not touch, push, and rub the polarizer by hard materials such as glass, tweezers and others harder than HB pencil lead. Also, please do not touch it by bare-hand.
- (10) In case of cleaning the polarizer, please wipe it with absorbent cotton, chamois or other soft materials absorbing Normal-Hexane recommended as cleaning chemicals.
- (11) Saliva and water drop should be immediately wiped off since they degrade the polarizer.
- (12) Please do not disassemble and modify the module yourselves since it may malfunction.
- (13) Metal frame should not be touched with bare-hand and dirty gloves since it may be degraded.
- (14) The module rear side should not be touched with metal in being mounted.
- (15) Please do not pull and hold the lamp cable.

10.2 PRECAUTIONS IN OPERATION OF MODULE

- (1) The module is heated by the backlight in operation. The module needs to be appropriately being cooled in order to avoid brightness reduction so that the ambient temperature would be within the specifications.
- (2) Spike noise from the power supply may cause functional error and damage the module.
Overshooting & undershooting of VDD voltage should be within ± 200 mV under the maximum rating.
- (3) Optical performance of the TFT-LCD changes by the temperature. (Response time gets longer at lower temperature.)
- (4) Lamp start-up time also gets longer at lower temperature.
- (5) In case that environmental temperature suddenly changes, it may cause the condensation and dew on the module.
Please be careful so that the condensation would not happen since it cause the degrade of optical performance and malfunction.
- (6) Image sticking may happen after the same pattern being displayed for long time but it will disappear soon.
Please do not display the same pattern for long time so as not to bring about image sticking.
- (7) Please ensure the countermeasures for electro-magnetic interference which affect the electrical circuit of the module.
Grounding & shielding method is effective to reduce the radiation.
- (8) Acoustic noise may happen in the backlight operation. If necessary, please take appropriate countermeasures.
- (9) In case the lamp cable is made longer, it may cause brightness drop and degrade lamp start-up.
It is preferable to connect it directly to CFL inverter.
- (10) Please do not connect and remove the module while a main system is powered on.
- (11) Grounding the metal of the module is preferable to prevent the video from flickering and rolling.



10.3 ELECTRO-STATIC DISCHARGE CONTROL

- (1) The module is easily damaged when it suffers from electro-static discharge over the specification.
Please take care about the control such as grounding human body in handing the module. Also, please do not touch the connector with bare-hand.
- (2) Protection film on polarizer should be slowly removed so that electro-static discharge could be reduced.

10.4 PRECAUTIONS FOR LIGHT EXPOSURE

- (1) Please do not expose the module against the intensive light which is likely to degrade the polarizer & color filter.

10.5 PRECAUTIONS IN STORAGE OF MODULE

In case of long term storage of the module, the followings should be taken care about.

- (1) The module should be stored in a dark with appropriate humidity (60 % RH or below) at 5 to 35 °C.
- (2) Nothing should contact on the polarizer while the module being stored. It is preferable to store the modules in the packaging of the shipment.

10.6 PRECAUTIONS IN HANDLING PROTECTION FILM

- (1) The protection film on polarizer should be slowly removed with wrist band grounded so as to reduce electro-static discharge. Ionized air blow is also effective.
- (2) In case the polarizer is rubbed by the protection film while being removed, the adhesive on the film may remain on the polarizer. Then, please be careful not to rub the polarizer while removing the protection film.
- (3) Please take care about the storage condition in case of remaining the protection film on the polarizer.
The adhesive on the film may move onto the polarizer at high temperature & high humidity.
- (4) The adhesive remaining on the polarizer should be wiped off with absorbent cotton absorbing Normal Hexane.

10.7 SAFETY

- (1) The module is unit which consists of LCD glass and backlight. In case of being dropped and mechanically shocked, it may be cracked. Please take care about the cracked glass. In addition, hands should be washed if you touch the liquid material from the broken LCD.
- (2) Electrically conductive materials should be never put into the module. Backlight unit generates especially high voltage and you should take care about it.

10.8 ECOLOGY

- (1) The lamp of backlight has a little mercury. Please handle it appropriately in case of disposal.
- (2) Flex cable and Printed Wire Board have a little lead. Then, please handle them appropriately in case of disposal.

10.9 USE RESTRICTIONS AND LIMITATIONS

- (1) This product is not authorized for use in life support devices or systems, military applications, or other applications which pose a significant risk of personal injury. Therefore, the product shall not be used for such purposes.
- (2) In no event shall Hitachi, Ltd., be liable for any incidental, indirect, or consequential damages in connection with the installation or use of this product, even if informed of the possibility thereof in advance. These limitations apply to all causes of action in the aggregate, including without limitation breach of contract, breach of warranty, negligence, strict liability, misrepresentation and other torts.

10.10 OTHERS

- (1) Electrical components which does not affect the module electrical performance may be changed without notice because of availability, etc.