

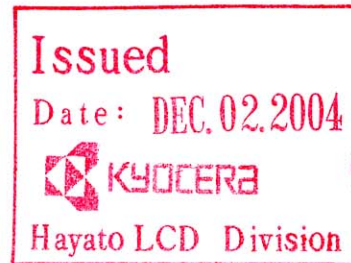
|           |                       |
|-----------|-----------------------|
| SPEC. NO. | TQ3C-8EAF0-E1DDH07-00 |
| DATE      | November 26, 2004     |

FOR : \_\_\_\_\_

TYPE : TCG075VG2AC-G00

CONTENTS

1. Application
2. Construction and Outline
3. Mechanical Specifications
4. Absolute Maximum Ratings
5. Electrical Characteristics
6. Optical Characteristics
7. Interface Signals
8. Timing Characteristics of input signals
9. Backlight Characteristics
10. Lot Number Identification
11. Warranty
12. Precautions for Use
13. Reliability Data/Environmental Test
14. Outline Drawing



KYOCERA CORPORATION  
KAGOSHIMA HAYATO PLANT  
LCD DIVISION

This specification is subject to change without notice.  
Consult Kyocera before ordering.

|                   |                                |                     |               |                        |                  |
|-------------------|--------------------------------|---------------------|---------------|------------------------|------------------|
| Original          | Designed by :Engineering Dept. |                     |               | Confirmed by :QA Dept. |                  |
| Issue Data        | Prepared                       | Checked             | Approved      | Checked                | Approved         |
| November 26, 2004 | <i>Y. Yamazaki</i>             | <i>H. Nishikawa</i> | <i>K. Ito</i> | <i>T. Uchinono</i>     | <i>T. Minami</i> |

## Caution

1. This Kyocera LCD module has been specifically designed for use only in electronic devices in the areas of audio control, office automation, industrial control, home appliances, etc. The modules should not be used in applications where module failure could result in physical harm or loss of life, and Kyocera expressly disclaims any and all liability relating in any way to the use of the module in such applications.
2. Customer agrees to indemnify, defend and hold Kyocera harmless from and against any and all actions, claims, losses, damages, liabilities, awards, costs, and expenses, including legal fees, resulting from or arising out of Customer's use, or sale for use, of Kyocera modules in applications.
3. Kyocera shall have the right, which Customer hereby acknowledges, to immediately scrap or destroy tooling for Kyocera modules for which no Purchase Orders have been received from the Customer in a two-year period.

Revision Record

| Date     | Designed by: Engineering Dept. |         |              | Confirmed by: QA Dept. |          |
|----------|--------------------------------|---------|--------------|------------------------|----------|
|          | Prepared                       | Checked | Approved     | Checked                | Approved |
|          |                                |         |              |                        |          |
| Rev. No. | Date                           | Page    | Descriptions |                        |          |
|          |                                |         |              |                        |          |

## 1. Application

This data sheet defines the specification for a  $(640 \times R.G.B) \times 480$  dot, amorphous silicon TFT transmissive color dot matrix type Liquid Crystal Display with CFL backlight.

## 2. Construction and Outline

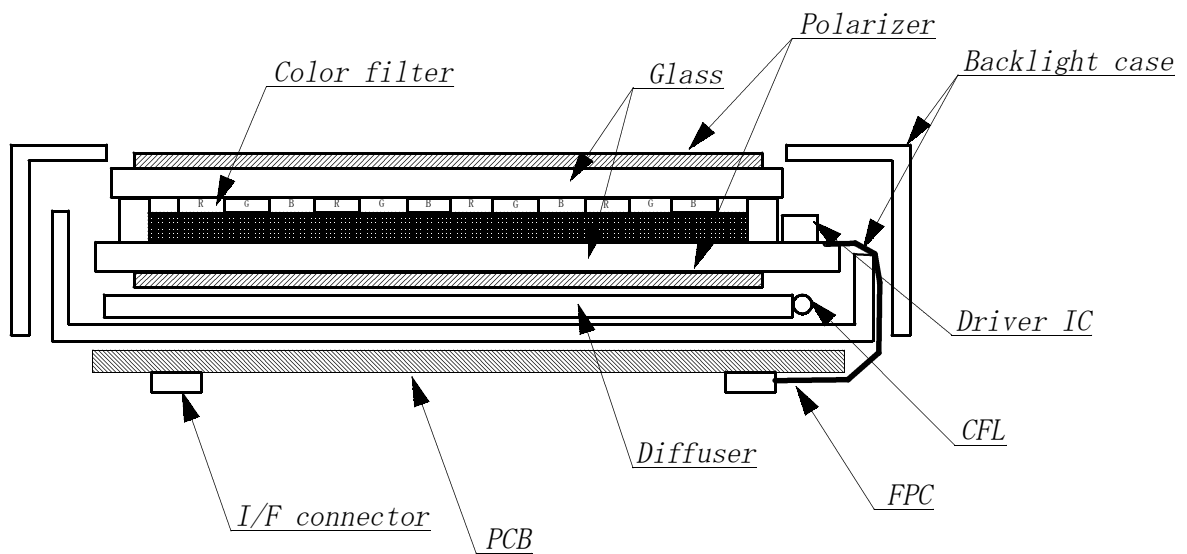
$(640 \times R.G.B) \times 480$  dots, COG type LCD with CFL backlight.

Backlight system : Side-edge type CFL (2 tubes).

Inverter : Option.  
Recommended Inverter : CXA-P1212-VJL (TDK)  
or equivalent

Polarizer : Glare treatment.

Additional circuits : Timing controller, Power supply (3.3V input)



This drawing is showing conception only.

### 3. Mechanical Specifications

| ITEM                   | SPECIFICATION                  | UNIT |
|------------------------|--------------------------------|------|
| Outline dimensions     | 184 (W) × 139.8 (H) × 12.7 (D) | mm   |
| Effective viewing area | 153.7 (W) × 115.8 (H)          | mm   |
| Dot number             | (640×R. G. B) (W) × 480 (H)    | Dots |
| Dot pitch              | 0.079 (W) × 0.237 (H)          | mm   |
| Display mode *1        | Normally white                 | —    |
| Mass                   | (370)                          | g    |

\*1 Due to the characteristics of the LCD material, the color vary with environmental temperature.

### 4. Absolute Maximum Ratings

#### 4-1. Electrical absolute maximum ratings

| ITEM                    | SYMBOL | Min. | Max. | UNIT |
|-------------------------|--------|------|------|------|
| Power input voltage     | VDD    | 0    | 4.0  | V    |
| Input signal voltage *1 | Vin    | -0.3 | 6.0  | V    |

\*1 Input signals : CK, R0~R5, G0~G5, B0~B5, Hsync, Vsync, ENAB, R/L, U/D

4-2. Environmental absolute maximum ratings

| ITEM                     | SYMBOL | Min. | Max. | UNIT   |
|--------------------------|--------|------|------|--------|
| Operating temperature *1 | Top    | -10  | 70   | deg. C |
| Storage temperature *2   | Tsto   | -30  | 80   | deg. C |
| Operating humidity *3    | Hop    | 10   | *4   | %RH    |
| Storage humidity *3      | Hsto   | 10   | *4   | %RH    |
| Vibration                | —      | *5   | *5   | —      |
| Shock                    | —      | *6   | *6   | —      |

\*1 Operating temperature means a temperature which operation shall be guaranteed.  
 Since display performance is evaluated at 25 deg.C, another temperature range should be confirmed.

\*2 Temp. = -30 °C < 48 h , Temp = 80 °C < 168 h  
 Store LCD panel at normal temperature/humidity.  
 Keep it free from vibration and shock.  
 LCD panel that is kept at low or high temperature for a long time can be defective due to the other conditions, even if the temperature satisfies standard.  
 (Please refers to 12. Precautions for use as detail).

\*3 Non-condensation.

\*4 Temp. ≤ 40 deg.C, 85%RH Max.  
 Temp. > 40 deg.C, Absolute Humidity shall be less than 85% RH at 40 deg.C.

\*5

|                 |                      |                                                                   |
|-----------------|----------------------|-------------------------------------------------------------------|
| Frequency       | 10~55 Hz             | Converted to<br>acceleration value :<br>(0.3~9 m/s <sup>2</sup> ) |
| Vibration width | 0.15 mm              |                                                                   |
| Interval        | 10-55-10 Hz 1 minute |                                                                   |

2 hours in each direction X/Y/Z (6 hours as total)  
 EIAJ ED-2531

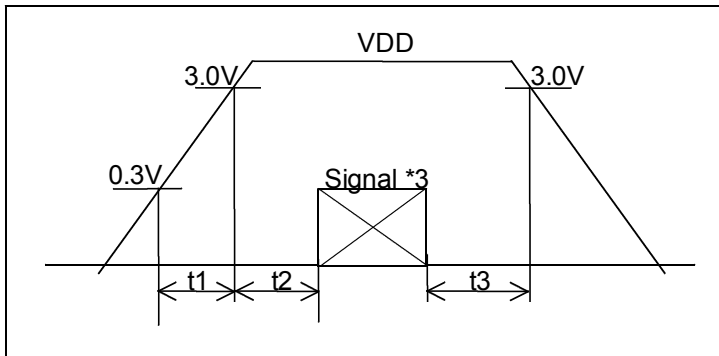
\*6 Acceleration: 490m/s<sup>2</sup>  
 Pulse width : 11 ms  
 3 times in each direction : ±X/±Y/±Z.  
 EIAJ ED-2531

## 5. Electrical Characteristics

Temp. = -10~70°C

| ITEM                                       | SYMBOL | MIN    | TYP   | MAX    | UNIT  |
|--------------------------------------------|--------|--------|-------|--------|-------|
| Power input voltage *1                     | VDD    | 3.0    | 3.3   | 3.6    | V     |
| Current consumption *2                     | IDD    | —      | (290) | (435)  | mA    |
| VDD=3.3V<br>Temp.=25°C                     |        |        |       |        |       |
| Permissive input ripple voltage (VDD=3.3V) | VRP    | —      | —     | 100    | mVp-p |
| Input signal voltage (Low) *3              | VIL    | 0      | —     | 0.3VDD | V     |
| Input signal voltage (High) *3             | VIH    | 0.7VDD | —     | VDD    | V     |

\*1 VDD-turn-on conditions



$$0 < t_1 \leq 20 \text{ ms}$$

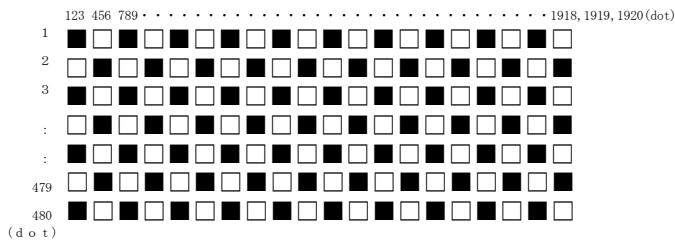
$$0 < t_2 \leq 50 \text{ ms}$$

$$0 < t_3 \leq 1 \text{ s}$$

\*2 Power consumption

Black & White pattern :

VDD = 3.3V



\*3 Input signals : CK, R0~R5, G0~G5, B0~B5, Hsync, Vsync, ENAB, R/L, U/D

## 6. Optical Characteristics

Measuring points =  $\phi$  6.0mm , Temp. = 25°C

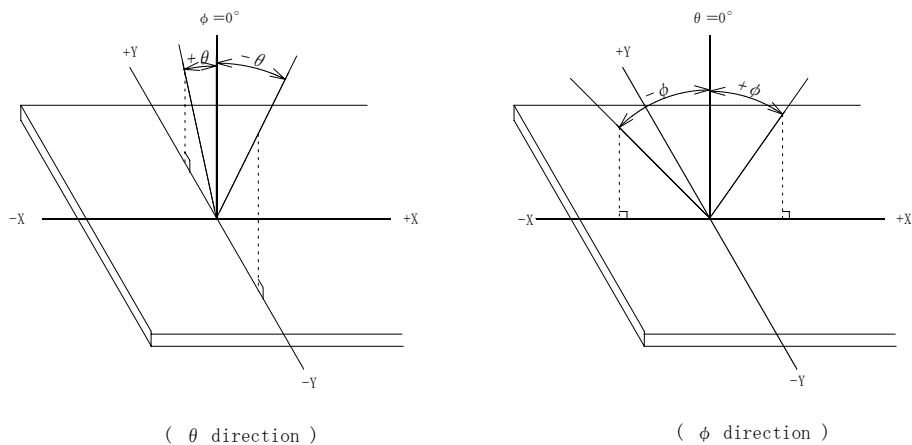
| ITEM                     |       | SYMBOL   | CONDITION                 | MIN    | TYP    | MAX    | UNIT              |      |
|--------------------------|-------|----------|---------------------------|--------|--------|--------|-------------------|------|
| Response time            | Rise  | $\tau r$ | $\theta = \phi = 0^\circ$ | —      | (5)    | —      | ms                |      |
|                          | Down  | $\tau d$ | $\theta = \phi = 0^\circ$ | —      | (15)   | —      | ms                |      |
| Viewing angle range      |       | $\theta$ | $CR \geq 5$               | Upper  | —      | (50)   | —                 | deg. |
|                          |       |          |                           | Lower  | —      | (70)   | —                 |      |
|                          |       | $\phi$   |                           | Left   | —      | (70)   | —                 | deg. |
|                          |       |          |                           | Right  | —      | (70)   | —                 |      |
| Contrast ratio           |       | CR       | $\theta = \phi = 0^\circ$ | (300)  | (450)  | —      | —                 |      |
| Brightness               |       | L        | IL=4.0mArms.              | (200)  | (290)  | —      | cd/m <sup>2</sup> |      |
|                          |       |          | IL=5.0mArms.              | (260)  | (370)  | —      |                   |      |
| Chromaticity coordinates | Red   | x        | $\theta = \phi = 0^\circ$ | (0.56) | (0.61) | (0.66) | —                 |      |
|                          |       | y        |                           | (0.29) | (0.34) | (0.39) |                   |      |
|                          | Green | x        | $\theta = \phi = 0^\circ$ | (0.25) | (0.30) | (0.35) |                   |      |
|                          |       | y        |                           | (0.50) | (0.55) | (0.60) |                   |      |
|                          | Blue  | x        | $\theta = \phi = 0^\circ$ | (0.10) | (0.15) | (0.20) |                   |      |
|                          |       | y        |                           | (0.07) | (0.12) | (0.17) |                   |      |
|                          | White | x        | $\theta = \phi = 0^\circ$ | (0.26) | (0.31) | (0.36) |                   |      |
|                          |       | y        |                           | (0.27) | (0.32) | (0.37) |                   |      |

6-1. Contrast ratio is defined as follows:

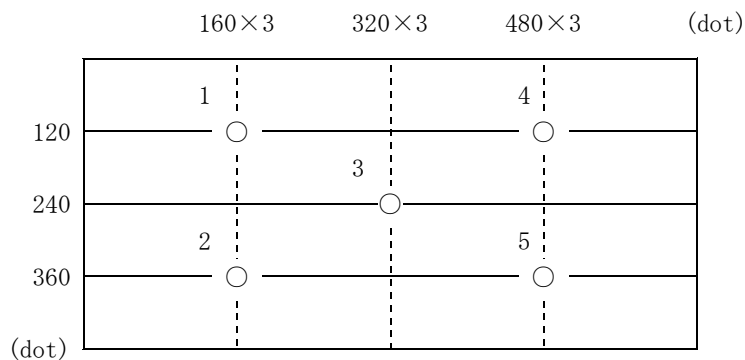
$$CR = \frac{\text{Brightness at all pixels "White"}}{\text{Brightness at all pixels "Black"}}$$



6-2. Definition of viewing angle



6-3. Measuring points



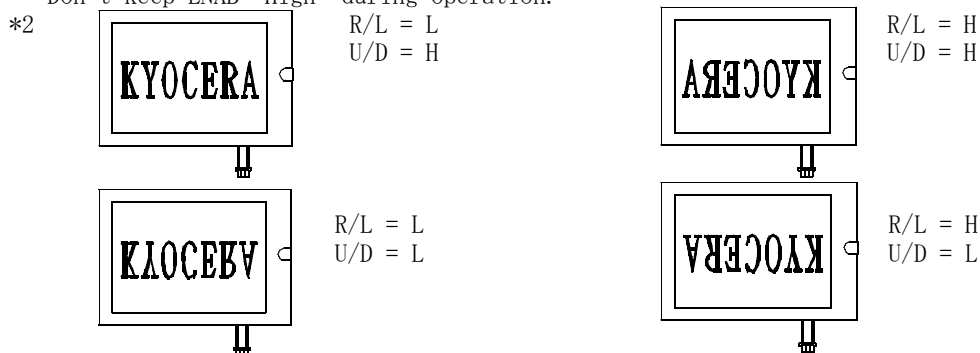
- 1) Rating is defined as the average brightness inside the viewing area.
- 2) 30 minutes after CFL is turned on. (Ambient Temp.=25°C)
- 3) The inverter should meet the eccentric conditions;
  - Sine, symmetric waveform without spike in positive and negative.

## 7. Interface signals

### 7-1. LCD

| PIN NO. | SYMBOL | DESCRIPTION                                                                         | I/O | Note |
|---------|--------|-------------------------------------------------------------------------------------|-----|------|
| 1       | GND    | GND                                                                                 | -   |      |
| 2       | CK     | Clock signal for sampling each data signal                                          | I   |      |
| 3       | Hsync  | Horizontal synchronous signal (negative)                                            | I   |      |
| 4       | Vsync  | Vertical synchronous signal (negative)                                              | I   |      |
| 5       | GND    | GND                                                                                 | -   |      |
| 6       | R0     | RED data signal (LSB)                                                               | I   |      |
| 7       | R1     | RED data signal                                                                     | I   |      |
| 8       | R2     | RED data signal                                                                     | I   |      |
| 9       | R3     | RED data signal                                                                     | I   |      |
| 10      | R4     | RED data signal                                                                     | I   |      |
| 11      | R5     | RED data signal (MSB)                                                               | I   |      |
| 12      | GND    | GND                                                                                 | -   |      |
| 13      | G0     | GREEN data signal (LSB)                                                             | I   |      |
| 14      | G1     | GREEN data signal                                                                   | I   |      |
| 15      | G2     | GREEN data signal                                                                   | I   |      |
| 16      | G3     | GREEN data signal                                                                   | I   |      |
| 17      | G4     | GREEN data signal                                                                   | I   |      |
| 18      | G5     | GREEN data signal (MSB)                                                             | I   |      |
| 19      | GND    | GND                                                                                 | -   |      |
| 20      | B0     | BLUE data signal (LSB)                                                              | I   |      |
| 21      | B1     | BLUE data signal                                                                    | I   |      |
| 22      | B2     | BLUE data signal                                                                    | I   |      |
| 23      | B3     | BLUE data signal                                                                    | I   |      |
| 24      | B4     | BLUE data signal                                                                    | I   |      |
| 25      | B5     | BLUE data signal (MSB)                                                              | I   |      |
| 26      | GND    | GND                                                                                 | -   |      |
| 27      | ENAB   | Signal to settle the horizontal display position (positive)                         | I   | *1   |
| 28      | VDD    | 3.3V power supply                                                                   | -   |      |
| 29      | VDD    | 3.3V power supply                                                                   | -   |      |
| 30      | R/L    | Horizontal display mode select signal<br>L : Normal , H : Left / Right reverse mode | I   | *2   |
| 31      | U/D    | Vertical display mode select signal<br>H : Normal , L : Up / Down reverse mode      | I   | *2   |
| 32      | NC     | No connect                                                                          | -   |      |
| 33      | GND    | GND                                                                                 | -   |      |

\*1 The horizontal display start timing is settled in accordance with a rising timing of ENAB signal.  
In case ENAB is fixed "Low", the horizontal start timing is determined as described in 8-2.  
Don't keep ENAB "High" during operation.



### 7-2. CFL

| PIN NO. | SYMBOL | DESCRIPTION                       |
|---------|--------|-----------------------------------|
| 1       | Hot    | Inverter output high voltage side |
| 2       | NC     | No connect                        |
| 3       | Cold   | Inverter output low voltage side  |

LCD side connector : BHR-03VS-1 (JST)

Recommended matching connector : SM02-(8.0)B-BHS-1 (JST)

\* Please be careful NOT to connect inversely an inverter-output high voltage side to the CFL low voltage side. It may result in damage or electric shock.

## 8. Timing Characteristics of input signals

### 8-1. Timing characteristics

| ITEM                                |             | SYMBOL | MIN    | TYP     | MAX     | UNIT    | NOTE |
|-------------------------------------|-------------|--------|--------|---------|---------|---------|------|
| Clock                               | Frequency   | 1/Tc   | —      | (25.18) | (28.33) | MHz     |      |
|                                     | Duty ratio  | Tch/Tc | (40)   | (50)    | (60)    | %       |      |
| Data                                | Set up time | Tds    | (5)    | —       | —       | ns      |      |
|                                     | Hold time   | Tdh    | (10)   | —       | —       | ns      |      |
| Horizontal sync. signal             | Cycle       | TH     | (30.0) | (31.8)  | —       | $\mu$ s |      |
|                                     |             |        | (770)  | (800)   | (900)   | clock   |      |
|                                     | Pulse width | THp    | (2)    | (96)    | (200)   | clock   |      |
| Vertical sync. signal               | Cycle       | TV     | (515)  | (525)   | (560)   | line    |      |
|                                     | Pulse width | TVp    | (2)    | —       | (34)    | line    |      |
| Horizontal display period           |             | THd    | 640    |         |         | clock   |      |
| Hsync.-Clock phase difference       |             | THc    | 10     | —       | Tc-10   | ns      |      |
| Hsync.-Vsync. phase difference      |             | TVh    | 0      | —       | TH-THp  | ns      |      |
| Vertical sync.signal start position |             | TVs    | (34)   |         |         | line    |      |
| Vertical display period             |             | TVd    | 480    |         |         | line    |      |

\*In case of lower frequency, the deterioration of the display quality, flicker etc., may occur.

### 8-2. Horizontal display position

The horizontal display position is determined by ENAB signal.

| ITEM                                  |             | SYMBOL | MIN  | TYP   | MAX      | UNIT  | NOTE  |
|---------------------------------------|-------------|--------|------|-------|----------|-------|-------|
| Enable signal                         | Set up time | Tes    | (5)  | —     | (Tc-10)  | ns    |       |
|                                       | Pulse width | Tep    | (2)  | (320) | (TH-10)  | clock |       |
| Hsync.-Enable signal phase difference |             | The    | (44) | —     | (TH-664) | clock | V/Q=H |

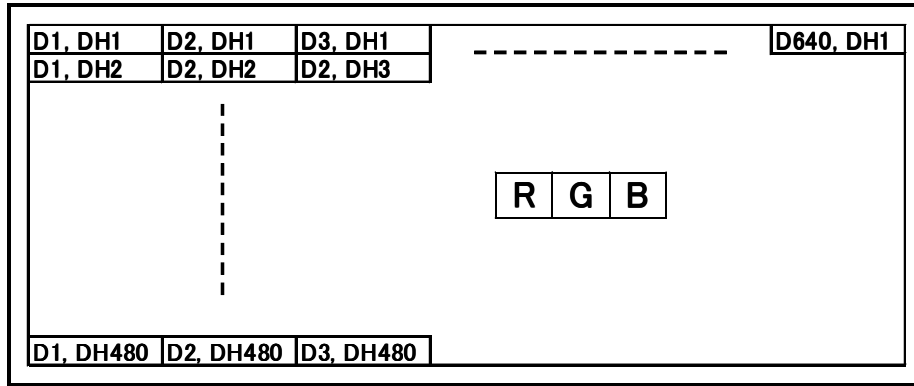
\*When ENAB is fixed at "Low", the display starts from the data of C104(clock) as shown in 8-5.

8-3. Vertical display position

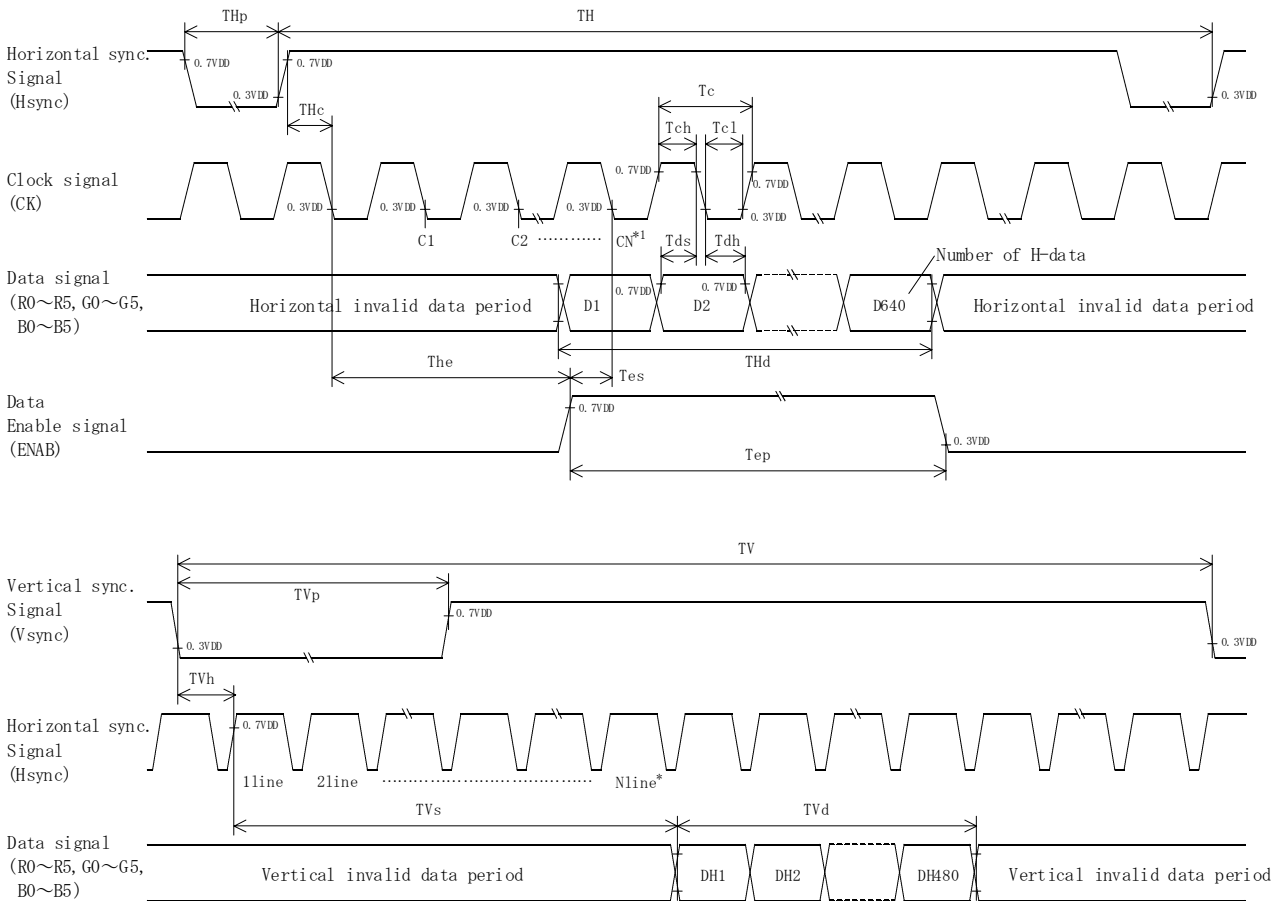
The vertical display position (TVs) is fixed at 34th line.

Note) ENAB signal is independent of vertical display position.

8-4. Input Data Signals and Display position on the screen



8-5. Input Timing Characteristics



\*1 When ENAB is fixed "Low" the display starts from the data of C104(Clock).

\*2 The vertical display position(TVs) is fixed at 34<sup>th</sup> line.

## 9. Backlight Characteristics

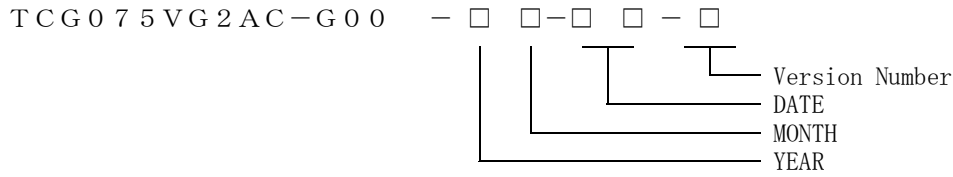
Temp. = 25°C

| ITEM                          | SYMBOL | MIN.         | TYP.        | MAX.          | NOTE         |
|-------------------------------|--------|--------------|-------------|---------------|--------------|
| Starting discharge Voltage *1 | VS     | —            | —           | (1,235) Vrms. | -10 °C       |
|                               |        | —            | —           | (725) Vrms.   | 25 °C        |
| Discharging tube current *2   | IL     | (2.0) mArms. | —           | (6.0) mArms.  | —            |
| Discharging tube voltage      | VL     | —            | (440) Vrms. | —             | IL=4.0mArms. |
|                               |        | —            | (410) Vrms. | —             | IL=5.0mArms. |
| Operating life *3             | T      | (45,000) h   | (58,000) h  | —             | IL=4.0mArms. |
|                               |        | (36,000) h   | (54,000) h  | —             | IL=5.0mArms. |
| Operating frequency *4        | F      | (40) kHz     | —           | (100) kHz     | —            |

- \*1 The Non-load output voltage (VS) of the inverter should be designed to have some margin, because VS may increase due to the leak current which may be caused by wiring of CFL cables. (Reference value : (1,600) Vrms Min.)
- \*2 We recommend that you should set the discharging tube current at lower than typical value so as to prevent the heat accumulation of CFL tube from deteriorating a performance of the LCD.
- \*3 End of life is defined as when the illuminance or quantity of light has decreased to 50% of the initial value. Illuminance of light will drastically decrease when LCD is operated at lower temperature for long hours.
- \*4 The driving frequency of the CFL may interfere with the horizontal synch signal , leaving interference stripes on the display. So please evaluate LCD panels beforehand. To avoid interference stripes, we recommend to separate as far as possible the CFL frequency from the horizontal synchronous signal and its high harmonic frequency.
- \* There may be cases where interface noise on LCD PCB, generated by high-voltage products such as inverters, may leave stripes on the display. Please be careful when designing a mold to take into consideration that the inverter shall be located as far as possible from PCB. Shield protection may be effective.

1 0. Lot Number Identification

The lot number shall be indicated on the back of the backlight case of each LCD.



|      |      |      |      |      |      |      |
|------|------|------|------|------|------|------|
| YEAR | 2004 | 2005 | 2006 | 2007 | 2008 | 2009 |
| CODE | 4    | 5    | 6    | 7    | 8    | 9    |

|       |      |      |      |      |      |      |
|-------|------|------|------|------|------|------|
| MONTH | JAN. | FEB. | MAR. | APR. | MAY. | JUN. |
| CODE  | 1    | 2    | 3    | 4    | 5    | 6    |

|       |      |      |      |      |      |      |
|-------|------|------|------|------|------|------|
| MONTH | JUL. | AUG. | SEP. | OCT. | NOV. | DEC. |
| CODE  | 7    | 8    | 9    | X    | Y    | Z    |

1 1. Warranty

11-1. Incoming inspection

Please inspect the LCD within one month after your receipt.

11-2. Production Warranty

Kyocera warrants its LCDs for a period of 12 months after receipt by the purchaser, and within the limits specified. Kyocera shall, by mutual agreement, replace or rework defective LCDs that are shown to be Kyocera's responsibility.

## 1 2. Precautions for use

### 12-1. Installation of the LCD

1. LCD hole(right side) are not connected with GND, but the LCD is structured to have GND connection available to protect against noise. We recommend to connect customer's frame GND to LCD frame in order to stabilize the display performance.
2. A transparent protection sheet shall be added to protect the LCD and its polarizers.
3. The LCD shall be installed so that there is no pressure on the LSI chips.
4. The LCD shall be installed flat, without twisting or bending.
5. The display window size should be the same as the effective viewing area.
6. In case you use outside frame of effective viewing area as outward appearance of your product, unevenness of its outward appearance is out of guarantee.
7. Please refer to the following our recommendable value of Clamp-down torque when installing.  
Clamp-down torque :  $3.3 \pm 0.5$ kgf.cm  
Please set up 'SPEED-LOW,' 'SOFT START-SLOW' when using electric driver.  
Recommendable screw P-TITE screw two types nominal dia.3.0 mm installing boss hole depth 5.5 mm Max  
Please be careful not to use high torque which may damage LCD module in installation.
8. A transparent protection sheet is attached to the polarizer. Please remove the protection film slowly before use, paying attention to static electricity.
9. Do not pull the CFL lead wires and do not bend the root of the wires.  
Housing should be designed to protect CFL lead wires from external stress.
10. This Kyocera LCD module has been specifically designed for use in general electronic devices, but not for use in a special environment such as usage in an active gas.  
Hence, when the LCD is supposed to be used in a special environment, evaluate the LCD thoroughly beforehand and do not expose the LCD to chemicals such as an active gas.

### 12-2. Static Electricity

1. Since CMOS ICs are mounted directly onto the LCD glass, protection from static electricity is required. Operator should wear ground straps.

### 12-3. LCD Operation

1. The LCD shall be operated within the limits specified. Operation at values outside of these limits may shorten life, and/or harm display images.
2. Operation of the LCD at temperature below the limit specified may cause image degradation and/or bubbles.  
It may also change the characteristics of the liquid crystal.  
This phenomenon may not recover. The LCD shall be operated within the temperature limits specified.

### 12-4. Storage

1. The LCD shall be stored within normal temperature and humidity.  
Store in a dark area, and protected the LCD from direct sunlight or fluorescent light.
2. The LCD should be packaged to prevent damage.

## 12-5. Screen Surface

1. DO NOT store in a high humidity environment for extended periods.  
Image degradation, bubbles, and/or peeling off of polarizer may result.
2. The front polarizer is easily scratched or damaged.  
Prevent touching it with any hard material, and from being pushed or rubbed.
3. The LCD screen may be cleaned with a soft cloth or cotton pad.  
Methanol, or Isopropyl Alcohol may be used, but insure that all solvent residue is removed.
4. Water may cause damage or discoloration of the polarizer.  
Clean any condensation or moisture from any source immediately.
5. Always keep the LCD free from condensation during testing.  
Condensation may permanently spot or stain the polarizers.
6. Do not disassemble LCD module because it will result in damage.
7. Please do not use solid-base image pattern for long hours because a temporary afterimage may appear. We recommend to use screen saver etc. in cases where a solid-base image pattern must be used.

## 1 3. Reliability Data / Environmental Test

| TEST ITEM                      | TEST CONDITION                          | TEST TIME | RESULT                                                                                                                                                                      |
|--------------------------------|-----------------------------------------|-----------|-----------------------------------------------------------------------------------------------------------------------------------------------------------------------------|
| High Temp. Atmosphere          | 80°C                                    | 240 h     | Display Quality : No defect<br>Display Function : No defect<br>Current Consumption : No defect                                                                              |
| Low Temp. Atmosphere           | -30°C                                   | 240 h     | Low Temp. Bubble : None<br>Solid Crystallization of Liquid Crystal : None<br>Display Quality : No defect<br>Display Function : No defect<br>Current Consumption : No defect |
| High Temp. Humidity Atmosphere | 40°C<br>90 %RH                          | 240 h     | Display Quality : No defect<br>Display Function : No defect<br>Peel-off of Organic Sealing : None<br>Current Consumption : No defect                                        |
| Temp. Cycle                    | -30°C 0.5 h<br>R.T. 0.5 h<br>80°C 0.5 h | 10 cycles | Display Quality : No defect<br>Display Function : No defect<br>Peel-off of Organic Sealing : None<br>Bubble on Cell : None                                                  |
| High Temp. Operation           | 70°C                                    | 500 h     | Display Quality : No defect<br>Current Consumption : No defect                                                                                                              |

\* Each test item uses a test LCD only once. The tested LCD is not used in any other tests.

\* The LCD is tested in circumstances in which there is no condensation.

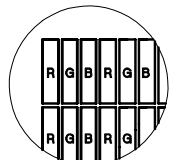
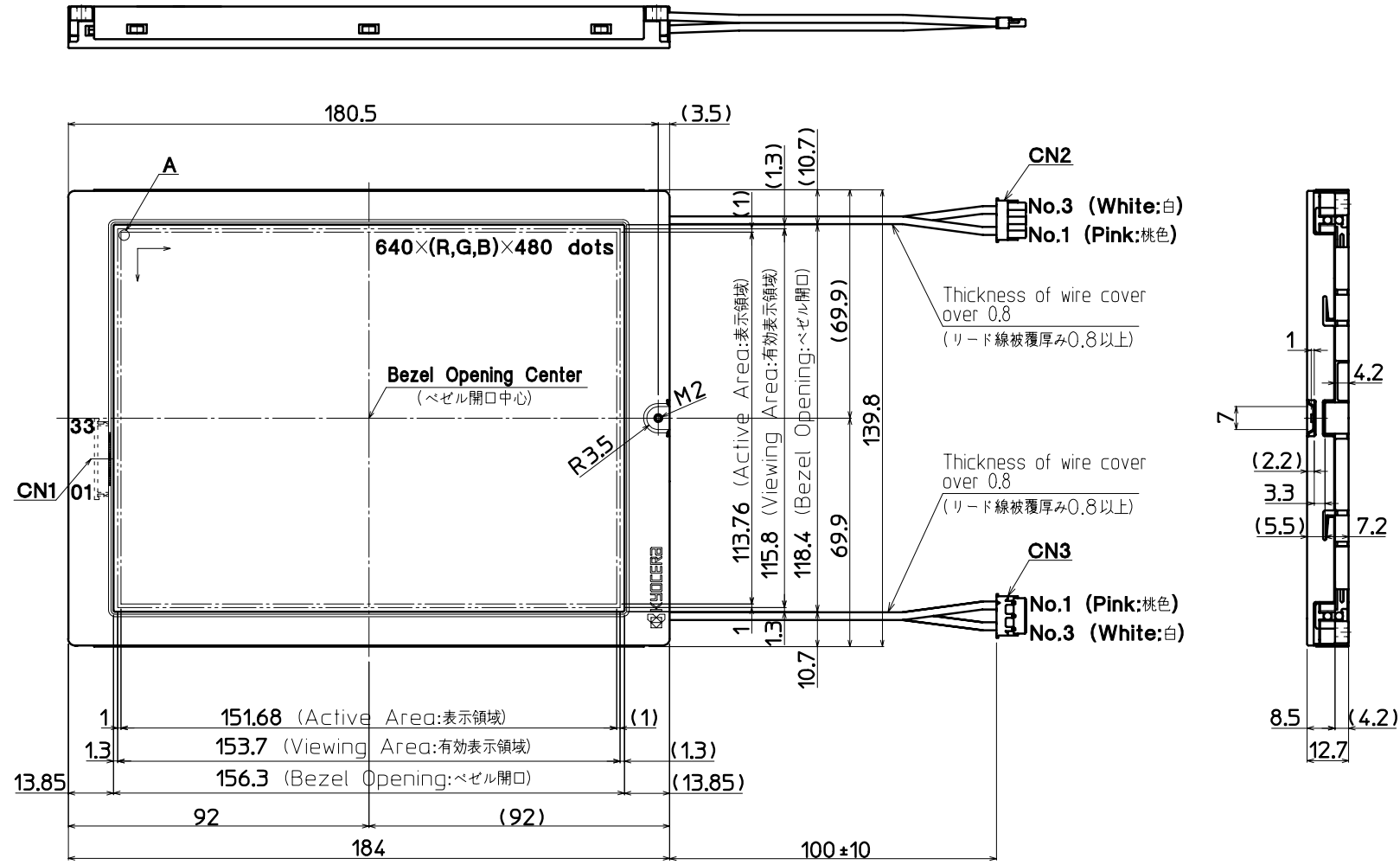
\* The tested LCD is inspected after 24 hours of storage at room temperature and room humidity after each test is finished.

\* The reliability test is not an out-going inspection.

\* The results of the reliability test are for your reference purpose only.  
The reliability test is conducted only to examine the LCD's capability.



| No | Description | Drawn | Checked | Checked | Approved |
|----|-------------|-------|---------|---------|----------|
|    |             |       |         |         |          |
|    |             |       |         |         |          |
|    |             |       |         |         |          |

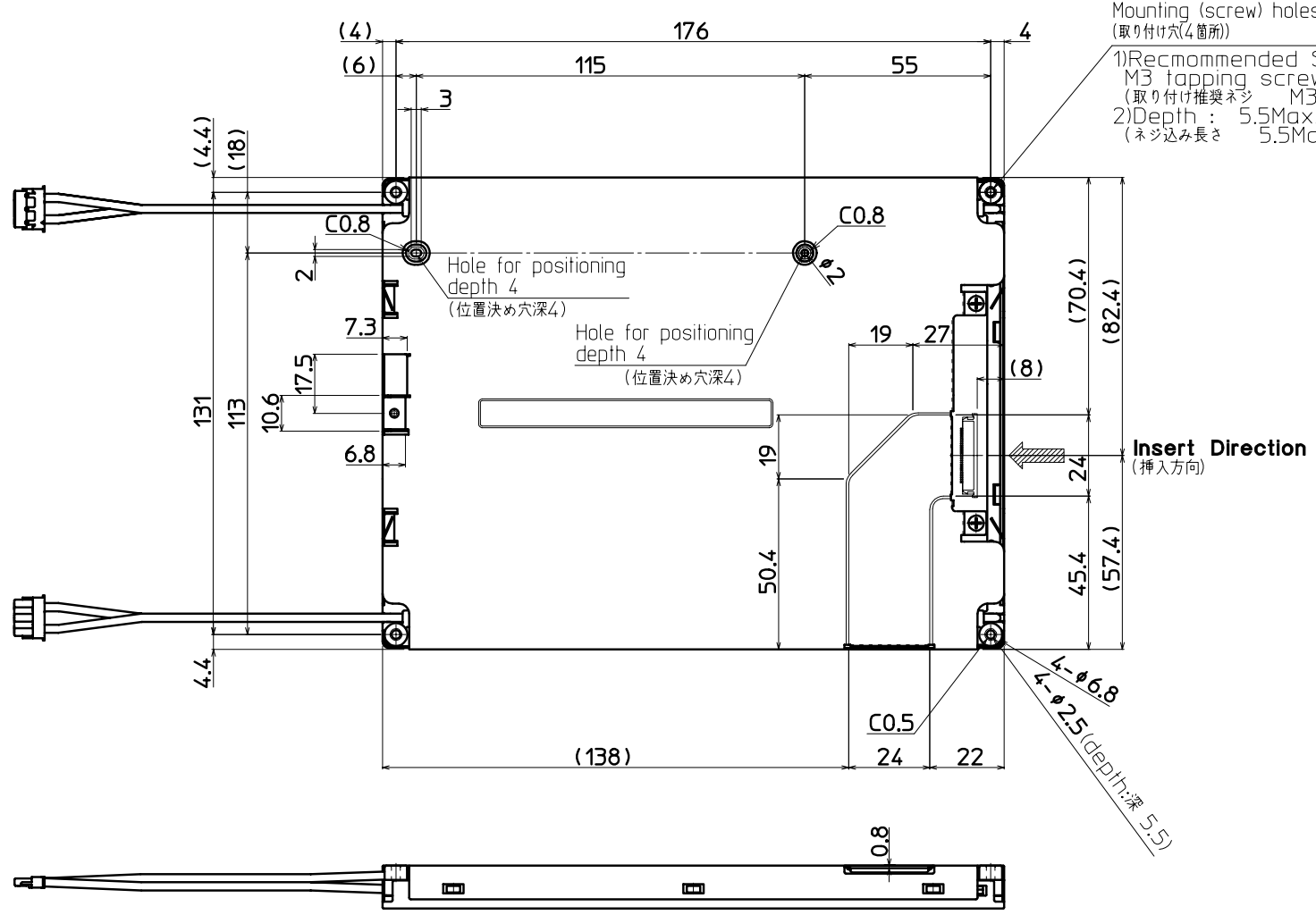


DETAIL A (Dot Size)  
(NTS)

- Note(注記)
- Connector CN1: 08-6210-033-340-800+(ELCO)  
(コネクタ) CN2, CN3: BHR-03VS-1(JST)
  - Matching Connector(適合コネクタ) : SM02-(8.0)B-BHS-1(JST)
  - The Information of LCD is displayed starting at the upper left hand corner, moving right then down to the lower right hand corner.  
(LCDにおいて、画像データの表示は左上コーナーから始まり、右へ進み下へ送られ右下コーナーへ向かう。)
  - Tolerance without indication: ±0.5  
(指示無き公差)

|                 |                   |                       |         |                      |              |                    |                      |  |                             |           |
|-----------------|-------------------|-----------------------|---------|----------------------|--------------|--------------------|----------------------|--|-----------------------------|-----------|
| Material<br>材質  | Treatment<br>処理   | Approved<br>'04.11.24 | Checked | Checked<br>'04.11.24 | Drawn<br>川田原 | Scale<br>1:1 (NTS) | Title<br>TCG075VG2AC |  | Year-Month-Day<br>'04.11.15 | Size<br>2 |
| Quantity<br>製作数 | Description<br>備考 | 04009AAB              | 阿部      | 今村                   |              |                    | Outline Dimensions   |  | Drawing No.<br>121A5035900  | 1/2       |

| No | Description | Drawn | Checked | Checked | Approved |
|----|-------------|-------|---------|---------|----------|
|    |             |       |         |         |          |
|    |             |       |         |         |          |



Mounting (screw) holes (4 place)  
(取り付け穴(4箇所))

1) Recommended Screw :  
M3 tapping screw for plastics  
(取り付け推奨ネジ M3.Pタイトネジ)

2) Depth : 5.5Max.  
(ネジ込み長さ 5.5Max)

**Insert Direction**  
(挿入方向)

Note(注記)  
1 Tolerance without indication: ±0.5  
(指示無き公差)

|                 |                   |                       |         |                      |              |              |                      |  |                             |           |
|-----------------|-------------------|-----------------------|---------|----------------------|--------------|--------------|----------------------|--|-----------------------------|-----------|
| Material<br>材質  | Treatment<br>処理   | Approved<br>'04.11.24 | Checked | Checked<br>'04.11.24 | Drawn<br>川田原 | Scale<br>1:1 | Title<br>TCG075VG2AC |  | Year-Month-Day<br>'04.11.15 | Size<br>2 |
| Quantity<br>製作数 | Description<br>備考 | 04009AAB              | 阿部      | 今村                   |              |              | Outline Dimensions   |  | Drawing No.<br>121A5035900  | 2/2       |

|           |                       |
|-----------|-----------------------|
| SPEC. NO. | TQ3C-8EAF0-E2DDH07-00 |
| DATE      | November 26, 2004     |

FOR : \_\_\_\_\_

KYOCERA INSPECTION STANDARD

TYPE : TCG075VG2AC-G00

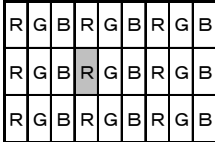
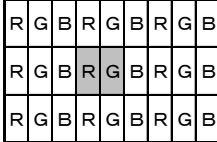
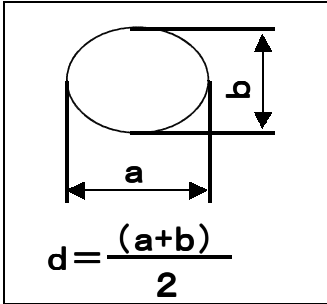
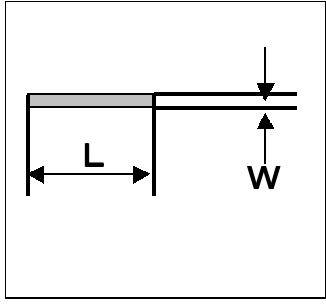
KYOCERA CORPORATION  
KAGOSHIMA HAYATO PLANT  
LCD DIVISION

|                   |                                |                     |                |                        |                  |
|-------------------|--------------------------------|---------------------|----------------|------------------------|------------------|
| Original          | Designed by :Engineering Dept. |                     |                | Confirmed by :QA Dept. |                  |
| Issue Data        | Prepared                       | Checked             | Approved       | Checked                | Approved         |
| November 26, 2004 | <i>Y. Yamaguchi</i>            | <i>H. Kishimoto</i> | <i>A. Juge</i> | <i>T. Uchinono</i>     | <i>T. Hirami</i> |

Revision Record

| Date     | Designed by: Engineering Dept. |         |              | Confirmed by: QA Dept. |          |
|----------|--------------------------------|---------|--------------|------------------------|----------|
|          | Prepared                       | Checked | Approved     | Checked                | Approved |
|          |                                |         |              |                        |          |
| Rev. No. | Date                           | Page    | Descriptions |                        |          |
|          |                                |         |              |                        |          |

1) Note

|                               |                                                                                                                                                                                                                                                                                                                                                                                                               | Note                                                                                                                                                                                     |                                                                                                                                                                                                                                                                                                                                                                                                                                                                            |  |
|-------------------------------|---------------------------------------------------------------------------------------------------------------------------------------------------------------------------------------------------------------------------------------------------------------------------------------------------------------------------------------------------------------------------------------------------------------|------------------------------------------------------------------------------------------------------------------------------------------------------------------------------------------|----------------------------------------------------------------------------------------------------------------------------------------------------------------------------------------------------------------------------------------------------------------------------------------------------------------------------------------------------------------------------------------------------------------------------------------------------------------------------|--|
| General                       | <p>1. Customer identified anomalies not defined within this inspection standard shall be reviewed by Kyocera, and an additional standard shall be determined by mutual consent.</p> <p>2. Inspection Conditions<br/>           Luminance : 500 Lux minimum<br/>           Inspection distance : 300 mm (from the sample)<br/>           Temperature : 25 ± 5 °C<br/>           Direction : directly above</p> |                                                                                                                                                                                          |                                                                                                                                                                                                                                                                                                                                                                                                                                                                            |  |
| Definition of Inspection item | Dot defect                                                                                                                                                                                                                                                                                                                                                                                                    | Bright dot defect                                                                                                                                                                        | <p>The dot is constantly "on" when power applied to the LCD, even when all "Black" data sent to the screen.<br/>           Inspection tool: 5% Transparency neutral density filter.<br/>           Count dot: If the dot is visible through the filter<br/>           Don't count dot: If the dot is not visible through the filter.</p>  <p style="text-align: right;">■ dot defect</p> |  |
|                               |                                                                                                                                                                                                                                                                                                                                                                                                               | Black dot defect                                                                                                                                                                         | <p>The dot is constantly "off" when power applied to the LCD, even when all "white" data sent to the screen.</p>                                                                                                                                                                                                                                                                                                                                                           |  |
|                               |                                                                                                                                                                                                                                                                                                                                                                                                               | Adjacent dot                                                                                                                                                                             | <p>Adjacent dot defect is defined as two or more bright dot defects or black dot defects.</p>  <p style="text-align: right;">■ dot defect</p>                                                                                                                                                                                                                                          |  |
|                               | External inspection                                                                                                                                                                                                                                                                                                                                                                                           | Bubble, Scratches, Foreign particle (Polarizer, Cell, Backlight)                                                                                                                         | Visible operating (all pixels "Black" or "White") and non operating.                                                                                                                                                                                                                                                                                                                                                                                                       |  |
|                               |                                                                                                                                                                                                                                                                                                                                                                                                               | Appearance inspection                                                                                                                                                                    | Does not satisfy the value at the spec.                                                                                                                                                                                                                                                                                                                                                                                                                                    |  |
|                               | Others                                                                                                                                                                                                                                                                                                                                                                                                        | CFL wires                                                                                                                                                                                | Damaged to the CFL wires, connector, pin, functional failure or appearance failure.                                                                                                                                                                                                                                                                                                                                                                                        |  |
|                               | Definition of size                                                                                                                                                                                                                                                                                                                                                                                            | <p>Definition of circle size</p>  <p style="text-align: center;"><math>d = \frac{(a+b)}{2}</math></p> | <p>Definition of linear size</p>                                                                                                                                                                                                                                                                                                                                                      |  |

2) Standard

| Classification                                                                                   |                                                                                                                                                                                                                                                                                                                                                                                                                                                                                                                                                                          | Inspection item                                                                                                                                                                                                                                                                                                                                                                                                                                                        | Judgement standard                                                                                                                                                                                                                                                                                                                                                            |                       |           |                   |                   |                   |                    |                    |                     |                    |              |                    |           |           |           |           |   |                                  |
|--------------------------------------------------------------------------------------------------|--------------------------------------------------------------------------------------------------------------------------------------------------------------------------------------------------------------------------------------------------------------------------------------------------------------------------------------------------------------------------------------------------------------------------------------------------------------------------------------------------------------------------------------------------------------------------|------------------------------------------------------------------------------------------------------------------------------------------------------------------------------------------------------------------------------------------------------------------------------------------------------------------------------------------------------------------------------------------------------------------------------------------------------------------------|-------------------------------------------------------------------------------------------------------------------------------------------------------------------------------------------------------------------------------------------------------------------------------------------------------------------------------------------------------------------------------|-----------------------|-----------|-------------------|-------------------|-------------------|--------------------|--------------------|---------------------|--------------------|--------------|--------------------|-----------|-----------|-----------|-----------|---|----------------------------------|
| defect<br>(in LCD<br>glass)                                                                      | Dot<br>defect                                                                                                                                                                                                                                                                                                                                                                                                                                                                                                                                                            | Bright dot defect                                                                                                                                                                                                                                                                                                                                                                                                                                                      | Acceptable number : 4 bright dots defects<br>Bright dot spacing : 5 mm or more                                                                                                                                                                                                                                                                                                |                       |           |                   |                   |                   |                    |                    |                     |                    |              |                    |           |           |           |           |   |                                  |
|                                                                                                  |                                                                                                                                                                                                                                                                                                                                                                                                                                                                                                                                                                          | Black dot defect                                                                                                                                                                                                                                                                                                                                                                                                                                                       | Acceptable number : 5 black dots defects<br>Black dot spacing : 5 mm or more                                                                                                                                                                                                                                                                                                  |                       |           |                   |                   |                   |                    |                    |                     |                    |              |                    |           |           |           |           |   |                                  |
|                                                                                                  |                                                                                                                                                                                                                                                                                                                                                                                                                                                                                                                                                                          | 2 dots join                                                                                                                                                                                                                                                                                                                                                                                                                                                            | Bright dot defect                                                                                                                                                                                                                                                                                                                                                             | Acceptable number : 2 |           |                   |                   |                   |                    |                    |                     |                    |              |                    |           |           |           |           |   |                                  |
|                                                                                                  |                                                                                                                                                                                                                                                                                                                                                                                                                                                                                                                                                                          |                                                                                                                                                                                                                                                                                                                                                                                                                                                                        | Black dot defect                                                                                                                                                                                                                                                                                                                                                              | Acceptable number : 3 |           |                   |                   |                   |                    |                    |                     |                    |              |                    |           |           |           |           |   |                                  |
|                                                                                                  |                                                                                                                                                                                                                                                                                                                                                                                                                                                                                                                                                                          | 3 or more dots join                                                                                                                                                                                                                                                                                                                                                                                                                                                    | Acceptable number : 0                                                                                                                                                                                                                                                                                                                                                         |                       |           |                   |                   |                   |                    |                    |                     |                    |              |                    |           |           |           |           |   |                                  |
|                                                                                                  | Total dot defects                                                                                                                                                                                                                                                                                                                                                                                                                                                                                                                                                        | Acceptable number : 5 Max                                                                                                                                                                                                                                                                                                                                                                                                                                              |                                                                                                                                                                                                                                                                                                                                                                               |                       |           |                   |                   |                   |                    |                    |                     |                    |              |                    |           |           |           |           |   |                                  |
|                                                                                                  | Others                                                                                                                                                                                                                                                                                                                                                                                                                                                                                                                                                                   | White dot, Dark dot<br>(Circle)                                                                                                                                                                                                                                                                                                                                                                                                                                        | <table border="1"> <thead> <tr> <th>Size(mm)</th> <th>Acceptable Number</th> </tr> </thead> <tbody> <tr> <td><math>d &lt; 0.2</math></td> <td>(neglected)</td> </tr> <tr> <td><math>0.2 &lt; d \leq 0.4</math></td> <td>5</td> </tr> <tr> <td><math>0.4 &lt; d \leq 0.5</math></td> <td>3</td> </tr> <tr> <td><math>0.5 &lt; d</math></td> <td>0</td> </tr> </tbody> </table> |                       |           | Size(mm)          | Acceptable Number | $d < 0.2$         | (neglected)        | $0.2 < d \leq 0.4$ | 5                   | $0.4 < d \leq 0.5$ | 3            | $0.5 < d$          | 0         |           |           |           |   |                                  |
| Size(mm)                                                                                         | Acceptable Number                                                                                                                                                                                                                                                                                                                                                                                                                                                                                                                                                        |                                                                                                                                                                                                                                                                                                                                                                                                                                                                        |                                                                                                                                                                                                                                                                                                                                                                               |                       |           |                   |                   |                   |                    |                    |                     |                    |              |                    |           |           |           |           |   |                                  |
| $d < 0.2$                                                                                        | (neglected)                                                                                                                                                                                                                                                                                                                                                                                                                                                                                                                                                              |                                                                                                                                                                                                                                                                                                                                                                                                                                                                        |                                                                                                                                                                                                                                                                                                                                                                               |                       |           |                   |                   |                   |                    |                    |                     |                    |              |                    |           |           |           |           |   |                                  |
| $0.2 < d \leq 0.4$                                                                               | 5                                                                                                                                                                                                                                                                                                                                                                                                                                                                                                                                                                        |                                                                                                                                                                                                                                                                                                                                                                                                                                                                        |                                                                                                                                                                                                                                                                                                                                                                               |                       |           |                   |                   |                   |                    |                    |                     |                    |              |                    |           |           |           |           |   |                                  |
| $0.4 < d \leq 0.5$                                                                               | 3                                                                                                                                                                                                                                                                                                                                                                                                                                                                                                                                                                        |                                                                                                                                                                                                                                                                                                                                                                                                                                                                        |                                                                                                                                                                                                                                                                                                                                                                               |                       |           |                   |                   |                   |                    |                    |                     |                    |              |                    |           |           |           |           |   |                                  |
| $0.5 < d$                                                                                        | 0                                                                                                                                                                                                                                                                                                                                                                                                                                                                                                                                                                        |                                                                                                                                                                                                                                                                                                                                                                                                                                                                        |                                                                                                                                                                                                                                                                                                                                                                               |                       |           |                   |                   |                   |                    |                    |                     |                    |              |                    |           |           |           |           |   |                                  |
| External<br>inspection<br>(Defect on<br>Polarizer or<br>between Polariz-<br>er and LCD<br>glass) | Polarizer(Scratches)                                                                                                                                                                                                                                                                                                                                                                                                                                                                                                                                                     | <table border="1"> <thead> <tr> <th>Width(mm)</th> <th>Length(mm)</th> <th>Acceptable Number</th> </tr> </thead> <tbody> <tr> <td><math>W \leq 0.1</math></td> <td>-</td> <td>(neglected)</td> </tr> <tr> <td rowspan="2"><math>0.1 &lt; W \leq 0.3</math></td> <td><math>L \leq 5.0</math></td> <td>(neglected)</td> </tr> <tr> <td><math>5.0 &lt; L</math></td> <td>0</td> </tr> <tr> <td><math>0.3 &lt; W</math></td> <td>-</td> <td>0</td> </tr> </tbody> </table> |                                                                                                                                                                                                                                                                                                                                                                               |                       |           | Width(mm)         | Length(mm)        | Acceptable Number | $W \leq 0.1$       | -                  | (neglected)         | $0.1 < W \leq 0.3$ | $L \leq 5.0$ | (neglected)        | $5.0 < L$ | 0         | $0.3 < W$ | -         | 0 |                                  |
|                                                                                                  |                                                                                                                                                                                                                                                                                                                                                                                                                                                                                                                                                                          | Width(mm)                                                                                                                                                                                                                                                                                                                                                                                                                                                              | Length(mm)                                                                                                                                                                                                                                                                                                                                                                    | Acceptable Number     |           |                   |                   |                   |                    |                    |                     |                    |              |                    |           |           |           |           |   |                                  |
|                                                                                                  |                                                                                                                                                                                                                                                                                                                                                                                                                                                                                                                                                                          | $W \leq 0.1$                                                                                                                                                                                                                                                                                                                                                                                                                                                           | -                                                                                                                                                                                                                                                                                                                                                                             | (neglected)           |           |                   |                   |                   |                    |                    |                     |                    |              |                    |           |           |           |           |   |                                  |
|                                                                                                  |                                                                                                                                                                                                                                                                                                                                                                                                                                                                                                                                                                          | $0.1 < W \leq 0.3$                                                                                                                                                                                                                                                                                                                                                                                                                                                     | $L \leq 5.0$                                                                                                                                                                                                                                                                                                                                                                  | (neglected)           |           |                   |                   |                   |                    |                    |                     |                    |              |                    |           |           |           |           |   |                                  |
|                                                                                                  | $5.0 < L$                                                                                                                                                                                                                                                                                                                                                                                                                                                                                                                                                                |                                                                                                                                                                                                                                                                                                                                                                                                                                                                        | 0                                                                                                                                                                                                                                                                                                                                                                             |                       |           |                   |                   |                   |                    |                    |                     |                    |              |                    |           |           |           |           |   |                                  |
|                                                                                                  | $0.3 < W$                                                                                                                                                                                                                                                                                                                                                                                                                                                                                                                                                                | -                                                                                                                                                                                                                                                                                                                                                                                                                                                                      | 0                                                                                                                                                                                                                                                                                                                                                                             |                       |           |                   |                   |                   |                    |                    |                     |                    |              |                    |           |           |           |           |   |                                  |
|                                                                                                  | Polarizer Touch panel<br>(Bubble, Dent)                                                                                                                                                                                                                                                                                                                                                                                                                                                                                                                                  | <table border="1"> <thead> <tr> <th>Size(mm)</th> <th>Acceptable Number</th> </tr> </thead> <tbody> <tr> <td><math>d &lt; 0.2</math></td> <td>(neglected)</td> </tr> <tr> <td><math>0.2 &lt; d \leq 0.3</math></td> <td>5</td> </tr> <tr> <td><math>0.3 &lt; d \leq 0.5</math></td> <td>3</td> </tr> <tr> <td><math>0.5 &lt; d</math></td> <td>0</td> </tr> </tbody> </table>                                                                                          |                                                                                                                                                                                                                                                                                                                                                                               |                       |           | Size(mm)          | Acceptable Number | $d < 0.2$         | (neglected)        | $0.2 < d \leq 0.3$ | 5                   | $0.3 < d \leq 0.5$ | 3            | $0.5 < d$          | 0         |           |           |           |   |                                  |
|                                                                                                  |                                                                                                                                                                                                                                                                                                                                                                                                                                                                                                                                                                          | Size(mm)                                                                                                                                                                                                                                                                                                                                                                                                                                                               | Acceptable Number                                                                                                                                                                                                                                                                                                                                                             |                       |           |                   |                   |                   |                    |                    |                     |                    |              |                    |           |           |           |           |   |                                  |
|                                                                                                  |                                                                                                                                                                                                                                                                                                                                                                                                                                                                                                                                                                          | $d < 0.2$                                                                                                                                                                                                                                                                                                                                                                                                                                                              | (neglected)                                                                                                                                                                                                                                                                                                                                                                   |                       |           |                   |                   |                   |                    |                    |                     |                    |              |                    |           |           |           |           |   |                                  |
|                                                                                                  |                                                                                                                                                                                                                                                                                                                                                                                                                                                                                                                                                                          | $0.2 < d \leq 0.3$                                                                                                                                                                                                                                                                                                                                                                                                                                                     | 5                                                                                                                                                                                                                                                                                                                                                                             |                       |           |                   |                   |                   |                    |                    |                     |                    |              |                    |           |           |           |           |   |                                  |
|                                                                                                  | $0.3 < d \leq 0.5$                                                                                                                                                                                                                                                                                                                                                                                                                                                                                                                                                       | 3                                                                                                                                                                                                                                                                                                                                                                                                                                                                      |                                                                                                                                                                                                                                                                                                                                                                               |                       |           |                   |                   |                   |                    |                    |                     |                    |              |                    |           |           |           |           |   |                                  |
|                                                                                                  | $0.5 < d$                                                                                                                                                                                                                                                                                                                                                                                                                                                                                                                                                                | 0                                                                                                                                                                                                                                                                                                                                                                                                                                                                      |                                                                                                                                                                                                                                                                                                                                                                               |                       |           |                   |                   |                   |                    |                    |                     |                    |              |                    |           |           |           |           |   |                                  |
| Foreign Particle(Circular<br>shape)                                                              | <table border="1"> <thead> <tr> <th>Size(mm)</th> <th>Acceptable Number</th> </tr> </thead> <tbody> <tr> <td><math>d &lt; 0.2</math></td> <td>(neglected)</td> </tr> <tr> <td><math>0.2 &lt; d \leq 0.4</math></td> <td>5</td> </tr> <tr> <td><math>0.4 &lt; d \leq 0.5</math></td> <td>3</td> </tr> <tr> <td><math>0.5 &lt; d</math></td> <td>0</td> </tr> </tbody> </table>                                                                                                                                                                                            |                                                                                                                                                                                                                                                                                                                                                                                                                                                                        |                                                                                                                                                                                                                                                                                                                                                                               |                       | Size(mm)  | Acceptable Number | $d < 0.2$         | (neglected)       | $0.2 < d \leq 0.4$ | 5                  | $0.4 < d \leq 0.5$  | 3                  | $0.5 < d$    | 0                  |           |           |           |           |   |                                  |
|                                                                                                  | Size(mm)                                                                                                                                                                                                                                                                                                                                                                                                                                                                                                                                                                 | Acceptable Number                                                                                                                                                                                                                                                                                                                                                                                                                                                      |                                                                                                                                                                                                                                                                                                                                                                               |                       |           |                   |                   |                   |                    |                    |                     |                    |              |                    |           |           |           |           |   |                                  |
|                                                                                                  | $d < 0.2$                                                                                                                                                                                                                                                                                                                                                                                                                                                                                                                                                                | (neglected)                                                                                                                                                                                                                                                                                                                                                                                                                                                            |                                                                                                                                                                                                                                                                                                                                                                               |                       |           |                   |                   |                   |                    |                    |                     |                    |              |                    |           |           |           |           |   |                                  |
|                                                                                                  | $0.2 < d \leq 0.4$                                                                                                                                                                                                                                                                                                                                                                                                                                                                                                                                                       | 5                                                                                                                                                                                                                                                                                                                                                                                                                                                                      |                                                                                                                                                                                                                                                                                                                                                                               |                       |           |                   |                   |                   |                    |                    |                     |                    |              |                    |           |           |           |           |   |                                  |
| $0.4 < d \leq 0.5$                                                                               | 3                                                                                                                                                                                                                                                                                                                                                                                                                                                                                                                                                                        |                                                                                                                                                                                                                                                                                                                                                                                                                                                                        |                                                                                                                                                                                                                                                                                                                                                                               |                       |           |                   |                   |                   |                    |                    |                     |                    |              |                    |           |           |           |           |   |                                  |
| $0.5 < d$                                                                                        | 0                                                                                                                                                                                                                                                                                                                                                                                                                                                                                                                                                                        |                                                                                                                                                                                                                                                                                                                                                                                                                                                                        |                                                                                                                                                                                                                                                                                                                                                                               |                       |           |                   |                   |                   |                    |                    |                     |                    |              |                    |           |           |           |           |   |                                  |
| Foreign Particle<br>(Linear shape),<br>Scratches                                                 | <table border="1"> <thead> <tr> <th>Width(mm)</th> <th>Length(mm)</th> <th>Acceptable Number</th> </tr> </thead> <tbody> <tr> <td><math>W \leq 0.03</math></td> <td>-</td> <td>(neglected)</td> </tr> <tr> <td rowspan="3"><math>0.03 &lt; W \leq 0.1</math></td> <td><math>L \leq 2.0</math></td> <td>(neglected)</td> </tr> <tr> <td><math>2.0 &lt; L \leq 4.0</math></td> <td>3</td> </tr> <tr> <td><math>4.0 &lt; L</math></td> <td>0</td> </tr> <tr> <td><math>0.1 &lt; W</math></td> <td>-</td> <td>(According to<br/>Circular shape)</td> </tr> </tbody> </table> |                                                                                                                                                                                                                                                                                                                                                                                                                                                                        |                                                                                                                                                                                                                                                                                                                                                                               |                       | Width(mm) | Length(mm)        | Acceptable Number | $W \leq 0.03$     | -                  | (neglected)        | $0.03 < W \leq 0.1$ | $L \leq 2.0$       | (neglected)  | $2.0 < L \leq 4.0$ | 3         | $4.0 < L$ | 0         | $0.1 < W$ | - | (According to<br>Circular shape) |
|                                                                                                  | Width(mm)                                                                                                                                                                                                                                                                                                                                                                                                                                                                                                                                                                | Length(mm)                                                                                                                                                                                                                                                                                                                                                                                                                                                             | Acceptable Number                                                                                                                                                                                                                                                                                                                                                             |                       |           |                   |                   |                   |                    |                    |                     |                    |              |                    |           |           |           |           |   |                                  |
|                                                                                                  | $W \leq 0.03$                                                                                                                                                                                                                                                                                                                                                                                                                                                                                                                                                            | -                                                                                                                                                                                                                                                                                                                                                                                                                                                                      | (neglected)                                                                                                                                                                                                                                                                                                                                                                   |                       |           |                   |                   |                   |                    |                    |                     |                    |              |                    |           |           |           |           |   |                                  |
|                                                                                                  | $0.03 < W \leq 0.1$                                                                                                                                                                                                                                                                                                                                                                                                                                                                                                                                                      | $L \leq 2.0$                                                                                                                                                                                                                                                                                                                                                                                                                                                           | (neglected)                                                                                                                                                                                                                                                                                                                                                                   |                       |           |                   |                   |                   |                    |                    |                     |                    |              |                    |           |           |           |           |   |                                  |
|                                                                                                  |                                                                                                                                                                                                                                                                                                                                                                                                                                                                                                                                                                          | $2.0 < L \leq 4.0$                                                                                                                                                                                                                                                                                                                                                                                                                                                     | 3                                                                                                                                                                                                                                                                                                                                                                             |                       |           |                   |                   |                   |                    |                    |                     |                    |              |                    |           |           |           |           |   |                                  |
| $4.0 < L$                                                                                        |                                                                                                                                                                                                                                                                                                                                                                                                                                                                                                                                                                          | 0                                                                                                                                                                                                                                                                                                                                                                                                                                                                      |                                                                                                                                                                                                                                                                                                                                                                               |                       |           |                   |                   |                   |                    |                    |                     |                    |              |                    |           |           |           |           |   |                                  |
| $0.1 < W$                                                                                        | -                                                                                                                                                                                                                                                                                                                                                                                                                                                                                                                                                                        | (According to<br>Circular shape)                                                                                                                                                                                                                                                                                                                                                                                                                                       |                                                                                                                                                                                                                                                                                                                                                                               |                       |           |                   |                   |                   |                    |                    |                     |                    |              |                    |           |           |           |           |   |                                  |