



LP133WD2  
Liquid Crystal Display

Product Specification

## SPECIFICATION FOR APPROVAL

( ) Preliminary Specification

(◆) Final Specification

Title	13.3" HD+ TFT LCD
-------	-------------------

Customer	
MODEL	

SUPPLIER	LG Display Co., Ltd.
*MODEL	LP133WD2
Suffix	SLB1

\*When you obtain standard approval,  
please use the above model name without suffix

APPROVED BY	SIGNATURE
/	_____
/	_____
/	_____

Please return 1 copy for your confirmation with your signature and comments.

APPROVED BY	SIGNATURE
_____	_____
<b>REVIEWED BY</b>	_____
_____	_____
<b>PREPARED BY</b>	_____
_____	_____

**Products Engineering Dept.  
LG Display Co., Ltd**

## Product Specification

Contents

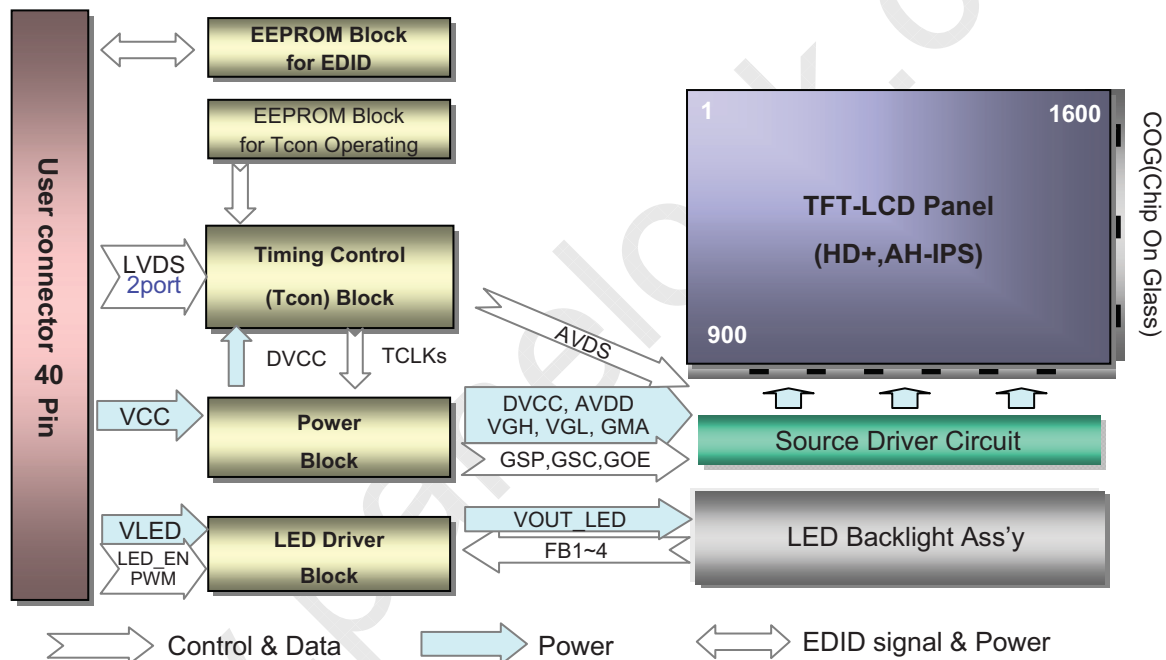
No	ITEM	Page
	COVER	1
	CONTENTS	2
	RECORD OF REVISIONS	3
1	GENERAL DESCRIPTION	4
2	ABSOLUTE MAXIMUM RATINGS	5
3	ELECTRICAL SPECIFICATIONS	
3-1	ELECTRICAL CHARACTERISTICS	6-7
3-2	INTERFACE CONNECTIONS	8
3-3	LVDS SIGNAL TIMING SPECIFICATION	9-10
3-4	SIGNAL TIMING SPECIFICATIONS	11
3-5	SIGNAL TIMING WAVEFORMS	11
3-6	COLOR INPUT DATA REFERENCE	12
3-7	POWER SEQUENCE	13
4	OPTICAL SPECIFICATIONS	14-16
5	MECHANICAL CHARACTERISTICS	17-19
6	RELIABILITY	20
7	INTERNATIONAL STANDARDS	
7-1	SAFETY	21
7-2	EMC	21
7-3	Environment	21
8	PACKING	
8-1	DESIGNATION OF LOT MARK	22
8-2	PACKING FORM	22
9	PRECAUTIONS	23-24
A	APPENDIX. Enhanced Extended Display Identification Data	25-27



## Product Specification

## 1. General Description

The LP133WD2 is a Color Active Matrix Liquid Crystal Display with an integral LED backlight system. The matrix employs a-Si Thin Film Transistor as the active element. It is a transmissive type display operating in the normally Black mode. This TFT-LCD has 13.3 inches diagonally measured active display area with HD+ resolution (1600 horizontal by 900 vertical pixel array). Each pixel is divided into Red, Green and Blue sub-pixels or dots which are arranged in vertical stripes. Gray scale or the brightness of the sub-pixel color is determined with a 6-bit gray scale signal for each dot, thus, presenting a palette of more than 262,144 colors. The LP133WD2 has been designed to apply the interface method that enables low power, high speed, low EMI. The LP133WD2 is intended to support applications where thin thickness, low power are critical factors and graphic displays are important. In combination with the vertical arrangement of the sub-pixels, the LP133WD2 characteristics provide an excellent flat display for office automation products such as Notebook PC.



## General Features

Active Screen Size	13.3 inches diagonal
Outline Dimension	306.3(H, typ.) × 188.7(V, typ.) × 2.85(D,max) [mm]
Pixel Pitch	0.1836mm x 0.1836mm
Pixel Format	1600 horiz. By 900 vert. Pixels RGB strip arrangement
Color Depth	6-bit, 262,144 colors
Luminance, White	300 cd/m <sup>2</sup> (Typ.5 point)
Power Consumption	Total 4.0 W(Typ.) Logic : 1.1 W (Typ.@ColorBar), B/L : 2.9 W (Typ.@VLED12V)
Weight	230g ( Max.) / 220g ( Typ.)
Display Operating Mode	Normally Black
Surface Treatment	Anti-Glare treatment (3H) of the front Polarizer
RoHS Compliance	Yes
BFR / PVC / As Free	Yes for all

## 2. Absolute Maximum Ratings

The following are maximum values which, if exceeded, may cause faulty operation or damage to the unit.

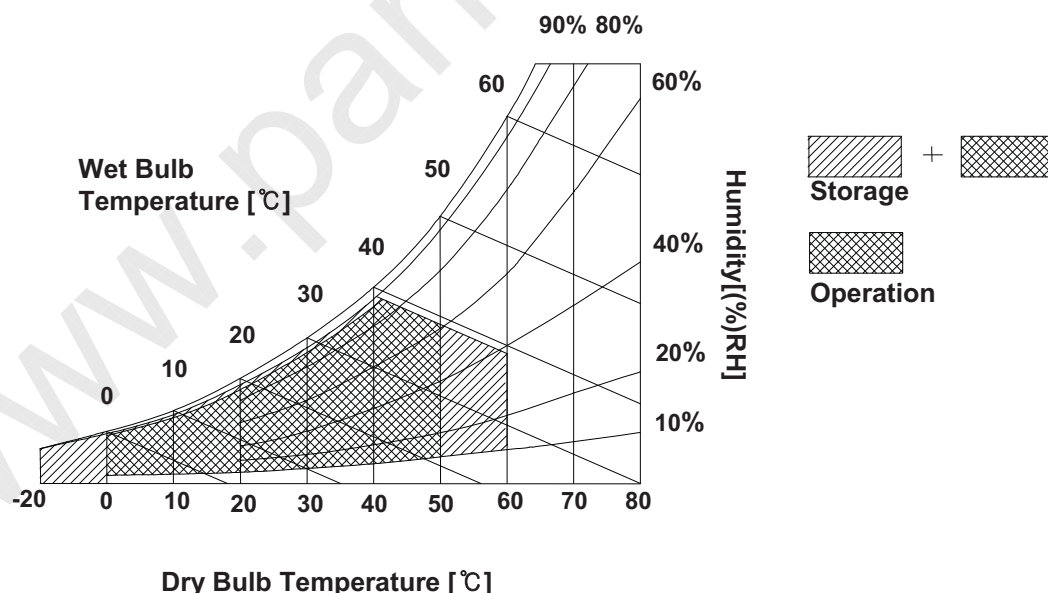
**Table 1. ABSOLUTE MAXIMUM RATINGS**

Parameter	Symbol	Values		Units	Notes
		Min	Max		
Power Input Voltage	VCC	-0.3	4.0	Vdc	at 25 ± 5°C
Operating Temperature	TOP	0	50	°C	1
Storage Temperature	HST	-20	60	°C	1
Operating Ambient Humidity	HOP	10	90	%RH	1
Storage Humidity	HST	10	90	%RH	1

Note : 1. Temperature and relative humidity range are shown in the figure below.

Wet bulb temperature should be 39°C Max, and no condensation of water.

Note : 2. Storage Condition is guaranteed under packing condition.





LP133WD2  
Liquid Crystal Display

Product Specification

### 3. Electrical Specifications

#### 3-1. Electrical Characteristics

The LP133WD2 requires two power inputs. The first logic is employed to power the LCD electronics and to drive the TFT array and liquid crystal. The second backlight is the input about LED BL with LED Driver.

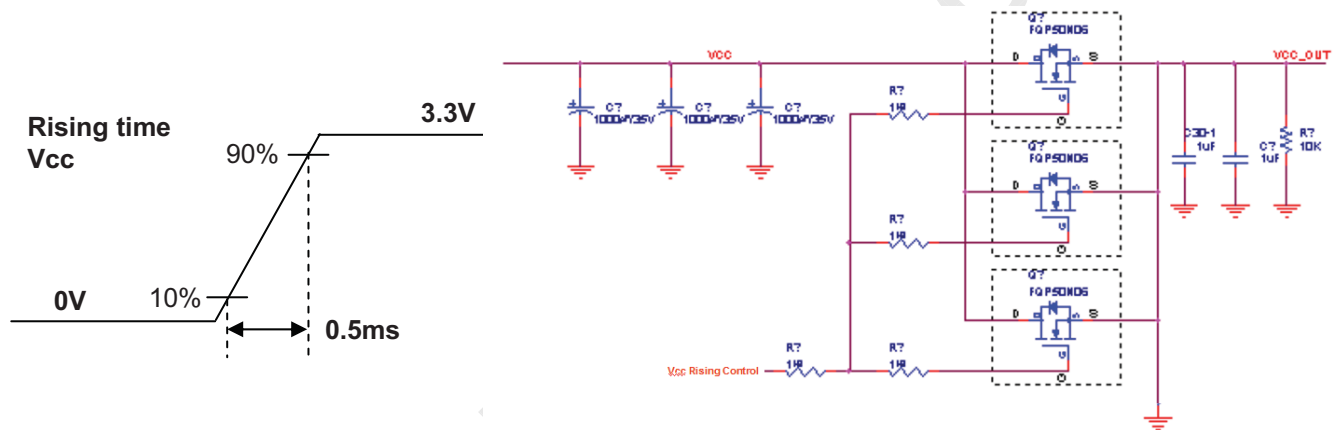
Table 2. ELECTRICAL CHARACTERISTICS

Parameter	Symbol	Values			Unit	Notes	
		Min	Typ	Max			
LOGIC :							
Power Supply Input Voltage	V <sub>CC</sub>	3.0	3.3	3.6	V	1	
Power Supply Input Current (Even)	Color Bar	I <sub>CC</sub>	-	333	383	mA	2
	White	I <sub>CC</sub>	-	468	538	mA	
	Sub 2Dot	I <sub>CC_max</sub>	-	535	615	mA	3
Power Consumption	P <sub>CC</sub>	-	1.1	1.27	W	2	
Power Supply Inrush Current	I <sub>CC_P</sub>	-	-	1500	mA	4	
LVDS Impedance	Z <sub>LVDS</sub>	90	100	110	Ω	5	
EDID Input Voltage	V <sub>EDID</sub>	3.0	3.3	3.6	V		
EDID Input Current	I <sub>EDID</sub>			10	mA	6	
BACKLIGHT : ( with LED Driver)							
LED Power Input Voltage	V <sub>LED</sub>	7.0	12.0	21.0	V	5	
LED Power Input Current	I <sub>LED</sub>	-	242	278	mA	6	
LED Power Consumption	P <sub>LED</sub>	-	2.9	3.34	W	6	
LED Power Inrush Current	I <sub>LED_P</sub>	-	-	1500	mA	7	
PWM Duty Ratio		1	-	100	%	8	
PWM Jitter	-	0	-	0.2	%	9	
PWM Impedance	Z <sub>PWM</sub>	20	40	60	kΩ		
PWM Frequency	F <sub>PWM</sub>	200	-	1000	Hz	10	
PWM High Level Voltage	V <sub>PWM_H</sub>	3.0	-	5.3	V		
PWM Low Level Voltage	V <sub>PWM_L</sub>	0	-	0.3	V		
LED_EN Impedance	Z <sub>PWM</sub>	20	40	60	kΩ		
LED_EN High Voltage	V <sub>LED_EN_H</sub>	3.0	-	5.3	V		
LED_EN Low Voltage	V <sub>LED_EN_L</sub>	0	-	0.3	V		
Life Time		12,000	-	-	Hrs	12	

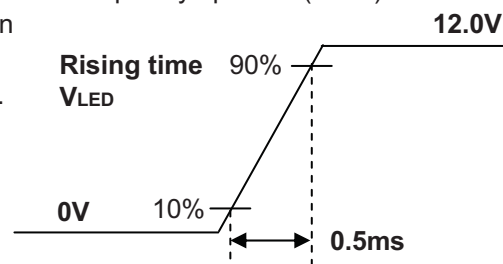
## Product Specification

## Note)

- The measuring position is the connector of LCM and the test conditions are under 25 °C,  $f_v = 60\text{Hz}$ , Black pattern.
- The specified  $I_{cc}$  current and power consumption are under the  $V_{cc} = 3.3\text{V}$ , 25 °C,  $f_v = 60\text{Hz}$  condition and Mosaic pattern(8X6). (Max Current pattern is White, Measured by Multi-Meter = Even)
- This Spec. is the max load condition for the cable impedance designing. (measured by multi-meter = even)
- The below figures are the measuring  $V_{cc}$  condition and the  $V_{cc}$  control block LGD used.  
The  $V_{cc}$  condition is same as the minimum of T1 at Power on sequence.



- This impedance value is needed for proper display and measured from LVDS Tx to the mating connector.
- The measuring position is the connector of LCM and the test conditions are under 25 °C.
- The current and power consumption with LED Driver are under the  $V_{led} = 12.0\text{V}$ , 25 °C, Dimming of Max luminance and White pattern with the normal frame frequency operated(60Hz).
- The below figures are the measuring  $V_{led}$  condition and the  $V_{led}$  control block LGD used.  
 $V_{LED}$  control block is same with  $V_{cc}$  control block.



- The operation of LED Driver below minimum dimming ratio may cause flickering or reliability issue.
- If Jitter of PWM is bigger than maximum, it may induce flickering.
- This Spec. is not effective at 100% dimming ratio as an exception because it has DC level equivalent to 0Hz. In spite of acceptable range as defined, the PWM Frequency should be fixed and stable for more consistent brightness control at any specific level desired.
- The life time is determined as the time at which brightness of LCD is 50% compare to that of minimum value specified in table 7. under general user condition.



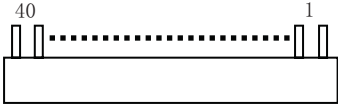
LP133WD2  
Liquid Crystal Display

## Product Specification

### 3-2. Interface Connections

This LCD employs two interface connections, a 40 pin connector used for the module electronics interface and the other connector used for the integral backlight system.

**Table 3. MODULE CONNECTOR PIN CONFIGURATION (CN1)**

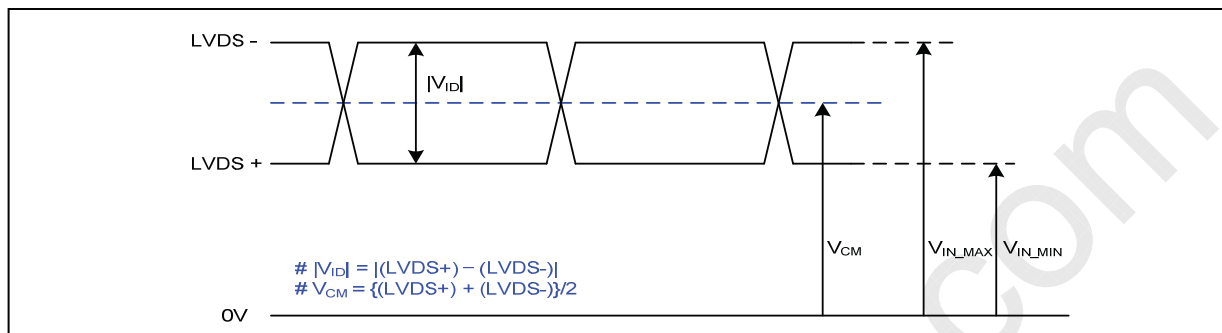
Pin	Symbol	Description	Notes
1	NC	No Connection	<b>[Interface Chip]</b> 1. LCD : SiW, SW0636A (LCD Controller) Including LVDS Receiver. 2. System : SiW LVDSRx or equivalent * Pin to Pin compatible with LVDS
2	VCC	LCD Logic and driver power (3.3V Typ.)	
3	VCC	LCD Logic and driver power (3.3V Typ.)	
4	V EEDID	DDC Power (3.3V)	
5	NC	No Connection	
6	Clk EEDID	DDC Clock	
7	DATA EEDID	DDC Data	
8	ORX0-	Negative LVDS differential data input	<b>[Connector]</b> IS050-L40B-C10, UJU or equivalent
9	ORX0+	Positive LVDS differential data input	
10	GND	High Speed Ground	<b>[Mating Connector]</b> 20455-040E-0x, I-PEX or equivalent.
11	ORX1-	Negative LVDS differential data input	
12	ORX1+	Positive LVDS differential data input	<b>[Connector pin arrangement]</b>
13	GND	High Speed Ground	
14	ORX2-	Negative LVDS differential data input	
15	ORX2+	Positive LVDS differential data input	
16	GND	High Speed Ground	[LCD Module Rear View]
17	ORXC-	Negative LVDS differential clock input	
18	ORXC+	Positive LVDS differential clock input	
19	GND	High Speed Ground	
20	ERX0-	Negative LVDS differential data input	
21	ERX0+	Positive LVDS differential data input	
19	GND	High Speed Ground	
23	ERX1-	Negative LVDS differential data input	
24	ERX1+	Positive LVDS differential data input	
19	GND	High Speed Ground	
26	ERX2-	Negative LVDS differential data input	
27	ERX2+	Positive LVDS differential data input	
19	GND	High Speed Ground	
29	ERXC-	Negative LVDS differential clock input	
30	ERXC+	Positive LVDS differential clock input	
31	GND	LED Backlight Ground	
32	GND	LED Backlight Ground	
33	GND	LED Backlight Ground	
34	NC	No Connection	
35	PWM	System PWM Signal input for dimming	
36	LED_EN	LED Backlight On/Off	
37	NC	No Connection	
38	VLED	LED Backlight Power (7V-21V)	
39	VLED	LED Backlight Power (7V-21V)	
40	VLED	LED Backlight Power (7V-21V)	



## Product Specification

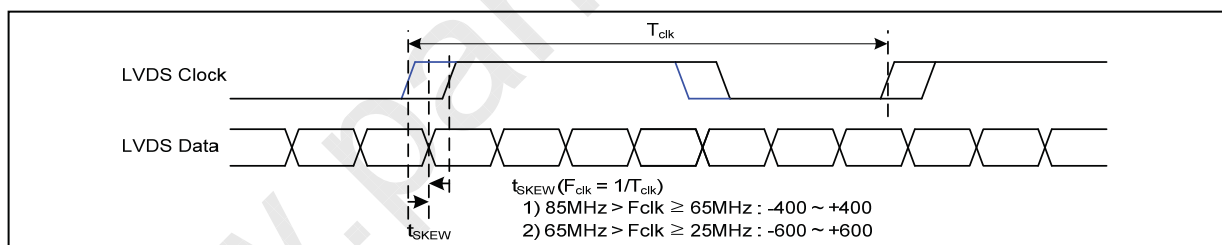
### 3-3. LVDS Signal Timing Specifications

#### 3-3-1. DC Specification



Description	Symbol	Min	Max	Unit	Notes
LVDS Differential Voltage	$ V_{ID} $	100	600	mV	-
LVDS Common mode Voltage	$V_{CM}$	0.6	1.8	V	-
LVDS Input Voltage Range	$V_{IN}$	0.3	2.1	V	-

#### 3-3-2. AC Specification

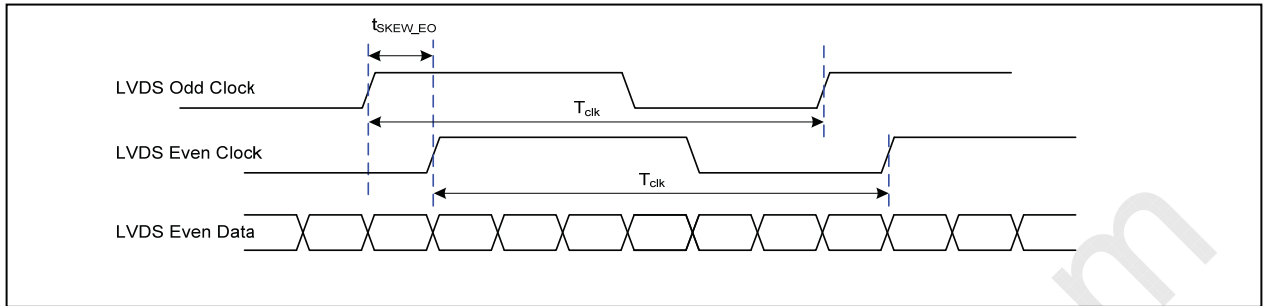


Description	Symbol	Min	Max	Unit	Notes
LVDS Clock to Data Skew Margin	$t_{SKEW}$	-400	+400	ps	$85MHz > F_{clk} \geq 65MHz$
	$t_{SKEW}$	-600	+600	ps	$65MHz > F_{clk} \geq 25MHz$
LVDS Clock to Clock Skew Margin (Even to Odd)	$t_{SKEW\_EO}$	-1/7	+1/7	$T_{clk}$	-
Maximum deviation of input clock frequency during SSC	$F_{DEV}$	-	$\pm 3$	%	-
Maximum modulation frequency of input clock during SSC	$F_{MOD}$	-	200	KHz	-

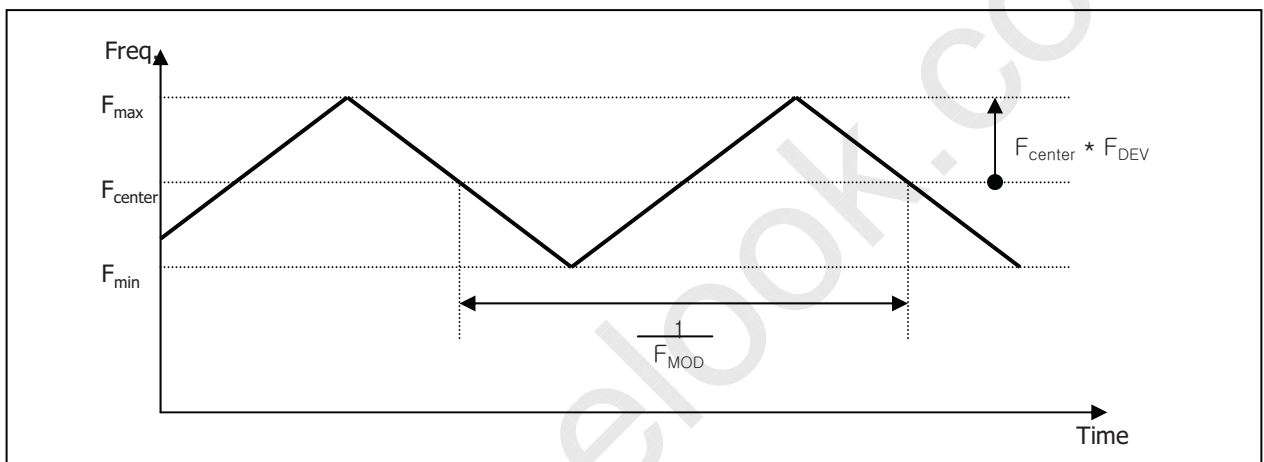


LP133WD2  
Liquid Crystal Display

Product Specification



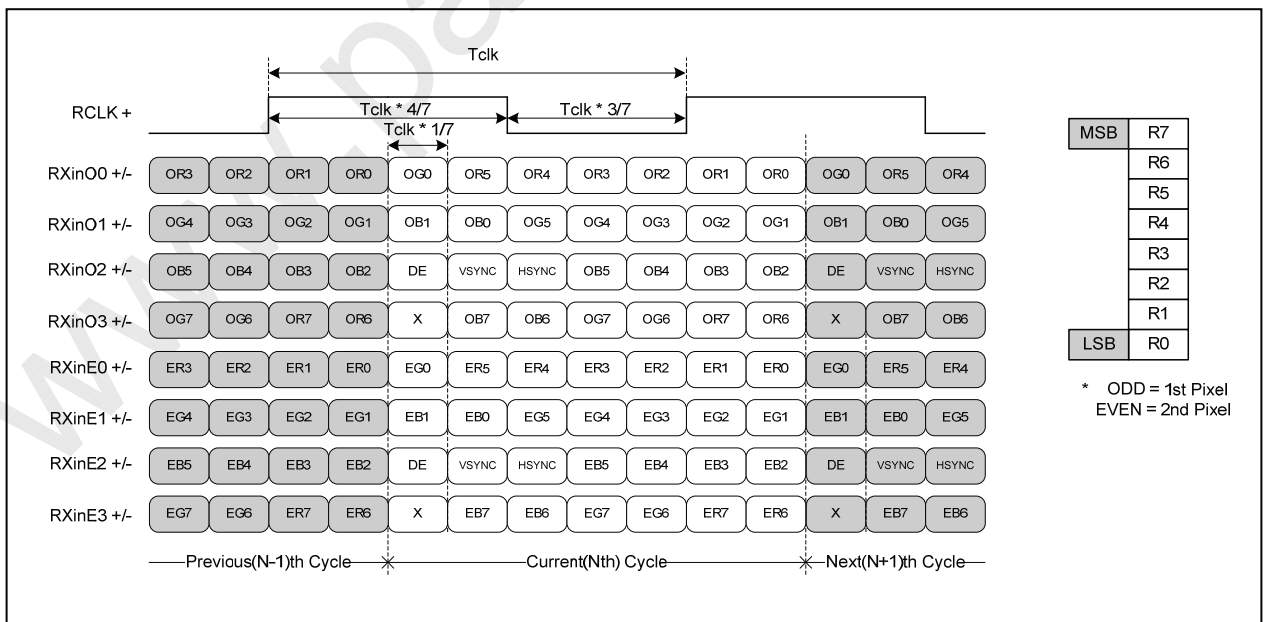
< Clock skew margin between channel >



< Spread Spectrum >

3-3-3. Data Format

1) LVDS 2 Port



< LVDS Data Format >

### 3-4. Signal Timing Specifications

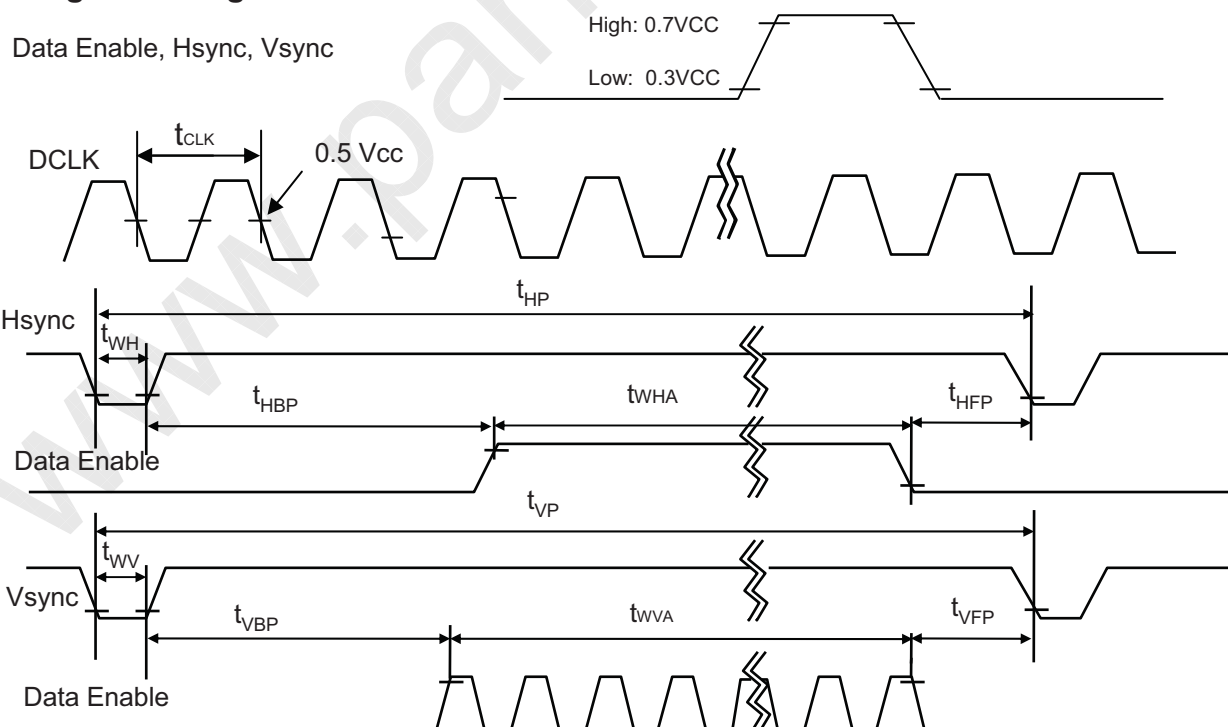
This is the signal timing required at the input of the User connector. All of the interface signal timing should be satisfied with the following specifications and specifications of LVDS Tx/Rx for its proper operation.

**Table 4. TIMING TABLE**

ITEM	Symbol	Min	Typ	Max	Unit	Note	
DCLK	Frequency	$f_{CLK}$	46.37	48.87	51.37	MHz	LVDS 2 port
Hsync	Period	$t_{HP}$	886	892	898	tCLK	LVDS 2 port
	Width	$t_{WH}$	22	24	26		
	Width-Active	$t_{WHA}$	800	800	800		
Vsync	Period	$t_{VP}$	910	912	915	tHP	
	Width	$t_{WV}$	2	3	4		
	Width-Active	$t_{WVA}$	900	900	900		
Data Enable	Horizontal back porch	$t_{HBP}$	42	44	46	tCLK	LVDS 2 port
	Horizontal front porch	$t_{HFP}$	22	24	26		
	Vertical back porch	$t_{VBP}$	6	7	8	tHP	
	Vertical front porch	$t_{VFP}$	2	2	3		

### 3-5. Signal Timing Waveforms

Condition : VCC = 3.3V



## Product Specification

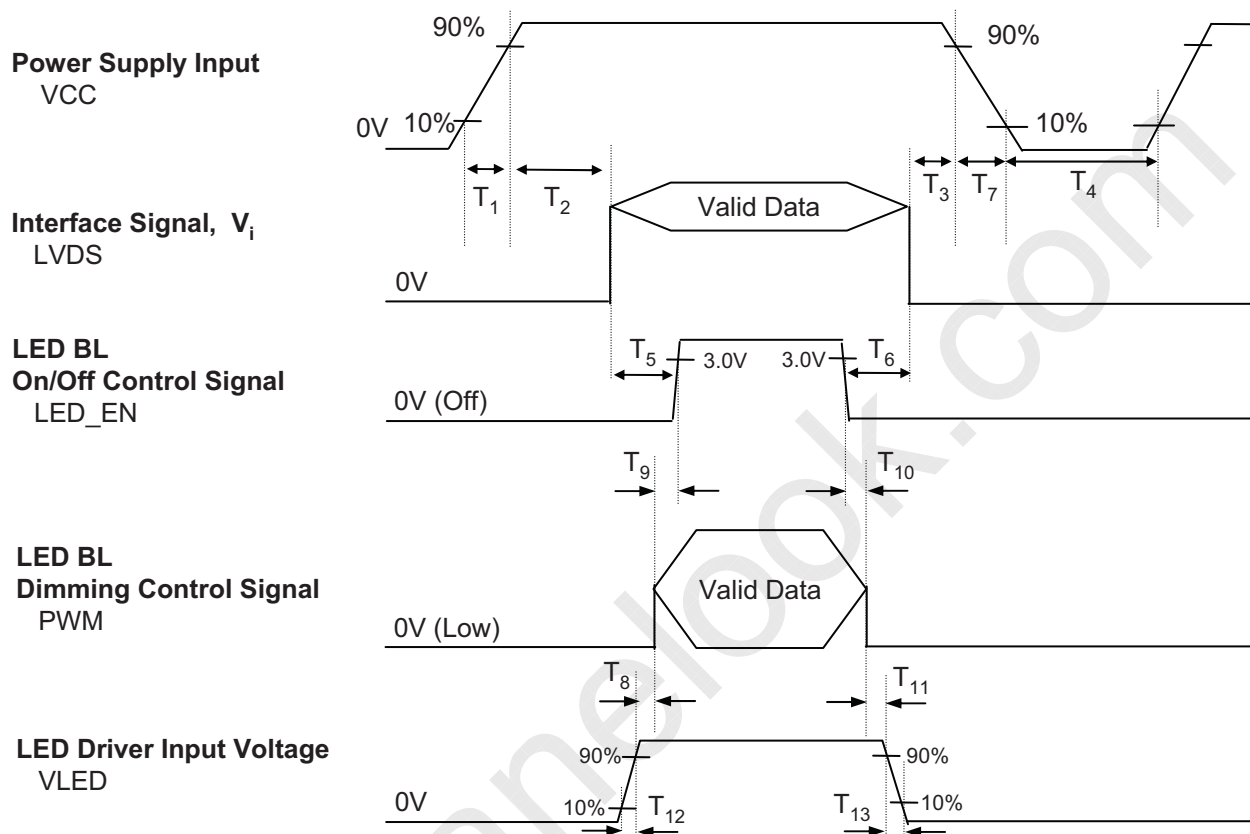
### 3-6. Color Input Data Reference

The brightness of each primary color (red, green and blue) is based on the 6-bit gray scale data input for the color ; the higher the binary input, the brighter the color. The table below provides a reference for color versus data input.

**Table 5. COLOR DATA REFERENCE**

Color		Input Color Data																	
		RED						GREEN						BLUE					
		MSB				LSB		MSB				LSB		MSB		LSB			
		R5	R4	R3	R2	R1	R0	G5	G4	G3	G2	G1	G0	B5	B4	B3	B2	B1	B0
Basic Color	Black	0	0	0	0	0	0	0	0	0	0	0	0	0	0	0	0	0	0
	Red	1	1	1	1	1	1	0	0	0	0	0	0	0	0	0	0	0	0
	Green	0	0	0	0	0	0	1	1	1	1	1	1	0	0	0	0	0	0
	Blue	0	0	0	0	0	0	0	0	0	0	0	0	1	1	1	1	1	1
	Cyan	0	0	0	0	0	0	1	1	1	1	1	1	1	1	1	1	1	1
	Magenta	1	1	1	1	1	1	0	0	0	0	0	0	1	1	1	1	1	1
	Yellow	1	1	1	1	1	1	1	1	1	1	1	1	0	0	0	0	0	0
	White	1	1	1	1	1	1	1	1	1	1	1	1	1	1	1	1	1	1
RED	RED (00)	0	0	0	0	0	0	0	0	0	0	0	0	0	0	0	0	0	0
	RED (01)	0	0	0	0	0	1	0	0	0	0	0	0	0	0	0	0	0	0
	...				...						...						...		
	RED (62)	1	1	1	1	1	0	0	0	0	0	0	0	0	0	0	0	0	0
	RED (63)	1	1	1	1	1	1	0	0	0	0	0	0	0	0	0	0	0	0
GREEN	GREEN (00)	0	0	0	0	0	0	0	0	0	0	0	0	0	0	0	0	0	0
	GREEN (01)	0	0	0	0	0	0	0	0	0	0	0	1	0	0	0	0	0	0
	...				...						...						...		
	GREEN (62)	0	0	0	0	0	0	1	1	1	1	1	0	0	0	0	0	0	0
	GREEN (63)	0	0	0	0	0	0	1	1	1	1	1	1	0	0	0	0	0	0
BLUE	BLUE (00)	0	0	0	0	0	0	0	0	0	0	0	0	0	0	0	0	0	0
	BLUE (01)	0	0	0	0	0	0	0	0	0	0	0	0	0	0	0	0	0	1
	...				...						...						...		
	BLUE (62)	0	0	0	0	0	0	0	0	0	0	0	0	1	1	1	1	1	0
	BLUE (63)	0	0	0	0	0	0	0	0	0	0	0	0	1	1	1	1	1	1

### 3-7. Power Sequence


**Table 6. POWER SEQUENCE TABLE**

Logic Parameter	Value			Units	LED Parameter	Value			Units
	Min.	Typ.	Max.			Min.	Typ.	Max.	
T <sub>1</sub>	0	-	10	ms	T <sub>8</sub>	10	-	-	ms
T <sub>2</sub>	0	-	50	ms	T <sub>9</sub>	0	-	-	ms
T <sub>3</sub>	0	-	50	ms	T <sub>10</sub>	0	-	-	ms
T <sub>4</sub>	400	-	-	ms	T <sub>11</sub>	10	-	-	ms
T <sub>5</sub>	200	-	-	ms	T <sub>12</sub>	0.5	-	-	ms
T <sub>6</sub>	200	-	-	ms	T <sub>13</sub>	0	-	5000	ms
T <sub>7</sub>	3	-	10	ms					

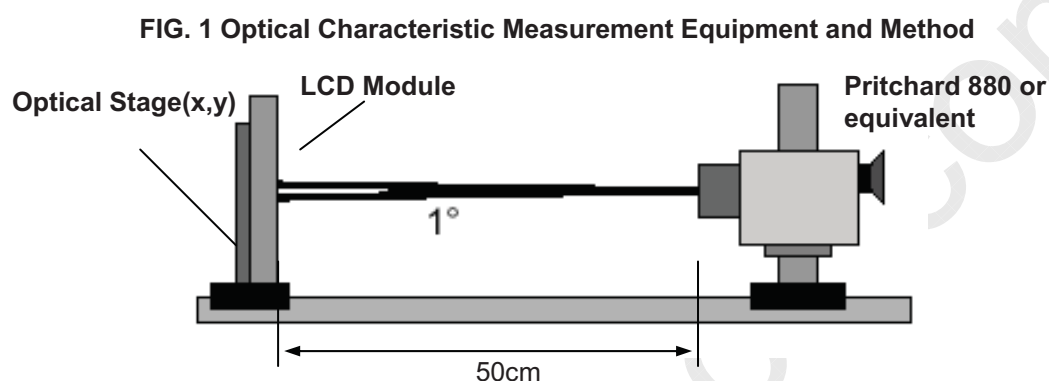
Note)

1. Do not insert the mating cable when system turn on.
2. Valid Data have to meet "3-3. LVDS Signal Timing Specifications"
3. LVDS, LED\_EN and PWM need to be on pull-down condition on invalid status.
4. LGD recommend the rising sequence of VLED after the Vcc and valid status of LVDS turn on.

## 4. Optical Specification

Optical characteristics are determined after the unit has been 'ON' and stable for approximately 30 minutes in a dark environment at 25°C. The values specified are at an approximate distance 50cm from the LCD surface at a viewing angle of  $\Phi$  and  $\Theta$  equal to 0°.

FIG. 1 presents additional information concerning the measurement equipment and method.



**Table 9. OPTICAL CHARACTERISTICS**

$T_a=25^\circ\text{C}$ ,  $V_{CC}=3.3\text{V}$ ,  $f_v=60\text{Hz}$ ,  $f_{CLK}=48.87\text{MHz}$

Parameter	Symbol	Values			Units	Notes
		Min	Typ	Max		
Contrast Ratio	CR	400	500	-		1
Surface Luminance, white	$L_{WH}$	255	300	-	cd/m <sup>2</sup>	2
Luminance Variation	$\delta_{WHITE}$	-	1.4	1.6		3
Response Time	$T_{R+T_D}$	-	35	50	ms	4
	GtoG(9X9)	-	25	45	ms	4
Color Coordinates						
RED	RX	0.566	0.596	0.626		
	RY	0.325	0.355	0.385		
GREEN	GX	0.305	0.335	0.365		
	GY	0.532	0.562	0.592		
BLUE	BX	0.122	0.152	0.182		
	BY	0.100	0.130	0.160		
WHITE	WX	0.283	0.313	0.343		
	WY	0.299	0.329	0.359		
Viewing Angle						
x axis, right( $\Phi=0^\circ$ )	$\Theta_r$	80	85	-	degree	5
x axis, left ( $\Phi=180^\circ$ )	$\Theta_l$	80	85	-	degree	
y axis, up ( $\Phi=90^\circ$ )	$\Theta_u$	80	85	-	degree	
y axis, down ( $\Phi=270^\circ$ )	$\Theta_d$	80	85	-	degree	
Gray Scale						6
Color Gamut	C/G	-	45	-	%	

## Product Specification

## Note)

1. Contrast Ratio(CR) is defined mathematically as

$$\text{Contrast Ratio} = \frac{\text{Surface Luminance with all white pixels}}{\text{Surface Luminance with all black pixels}}$$

2. Surface luminance is the average of 5 point across the LCD surface 50cm from the surface with all pixels displaying white. For more information see FIG 1.

$$\text{LWH} = \text{Average}(\text{L1}, \text{L2}, \text{L4}, \text{L7}, \text{L9})$$

3. The variation in surface luminance , The panel total variation ( $\delta$  WHITE) is determined by measuring LN at each test position 1 through 13 and then defined as following numerical formula.  
For more information see FIG 2.

$$\delta \text{ WHITE} = \frac{\text{Maximum}(\text{L1}, \text{L2}, \dots \text{L17})}{\text{Minimum}(\text{L1}, \text{L2}, \dots \text{L17})} * 100(\%)$$

4. Response time is the time required for the display to transition from white to black (rise time, TrR) and from black to white(Decay Time, TrD). For additional information see FIG 3.

5. Viewing angle is the angle at which the contrast ratio is greater than 10. The angles are determined for the horizontal or x axis and the vertical or y axis with respect to the z axis which is normal to the LCD surface. For more information see FIG 4.

6. Gray scale specification

\* fV = 60Hz

Gray Level	Luminance [%] (Typ)
L0	0.11
L7	0.62
L15	3.79
L23	10.60
L31	21.33
L39	35.42
L47	52.92
L55	75.9
L63	100

Product Specification

FIG. 2 Luminance

<Measuring point for Average Luminance & measuring point for Luminance variation>

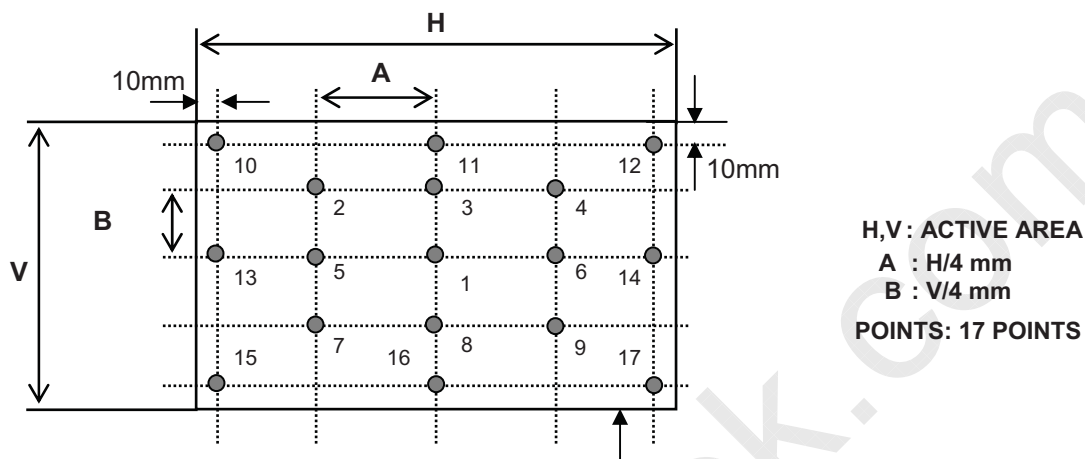


FIG. 3 Response Time

Active Area

The response time is defined as the following figure and shall be measured by switching the input signal for "black" and "white".

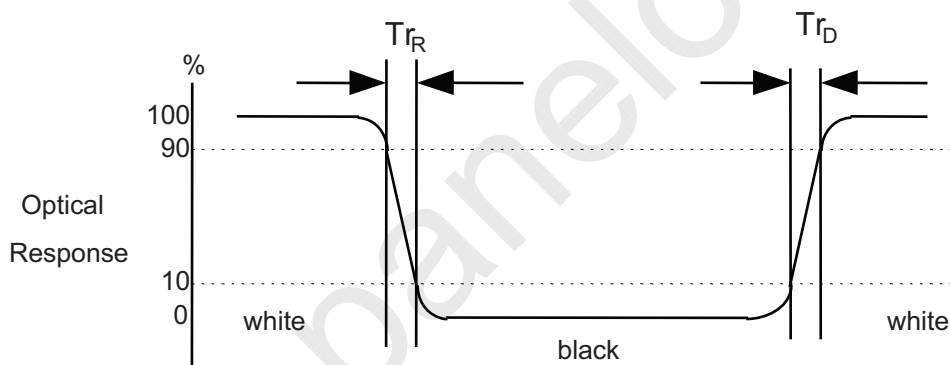
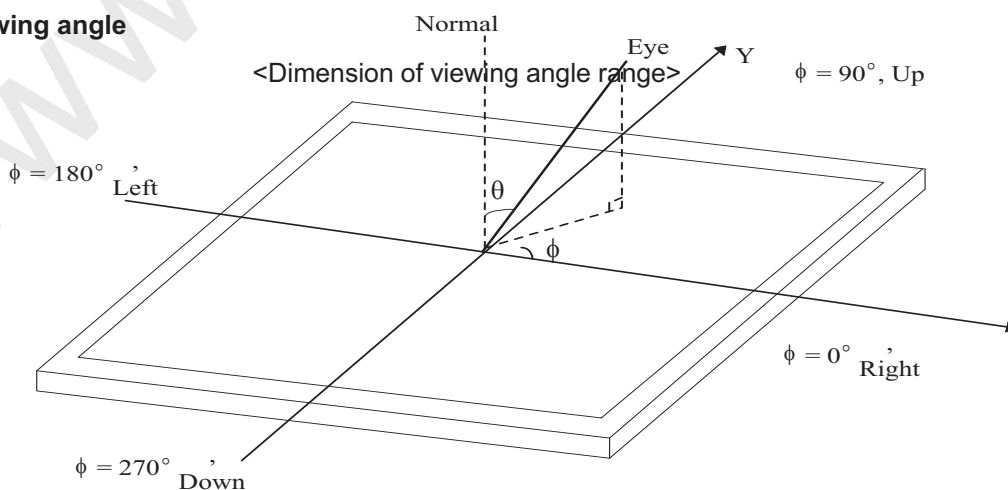


FIG. 4 Viewing angle





## Product Specification

## 5. Mechanical Characteristics

The contents provide general mechanical characteristics for the model LP133WD2. In addition the figures in the next page are detailed mechanical drawing of the LCD.

Outline Dimension	Horizontal (Without Bracket)	306.3 mm
	Vertical (With PCBA)	188.7 mm
	Thickness	2.85 mm (max)
Bezel Area	Horizontal	297.40 mm
	Vertical	169.30 mm
Active Display Area	Horizontal	293.76 mm
	Vertical	165.24 mm
Weight	230.0 g ( Max.) / 220 g ( Typ.)	
Surface Treatment	Anti-Glare treatment	



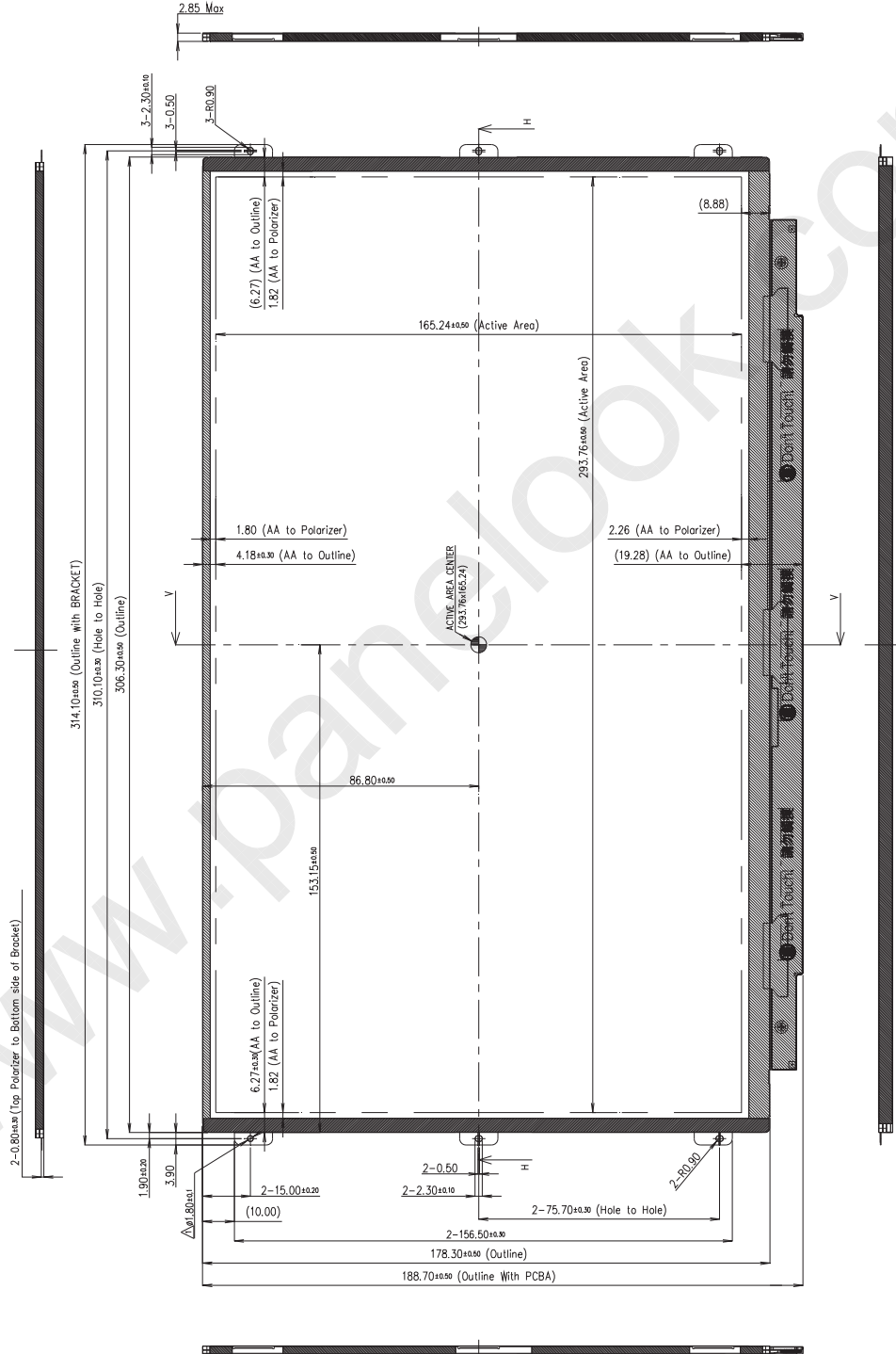
LP133WD2  
Liquid Crystal Display

Product Specification

<FRONT VIEW>

Note) Unit:[mm], General tolerance: ± 0.5mm

This panel is asymmetric.



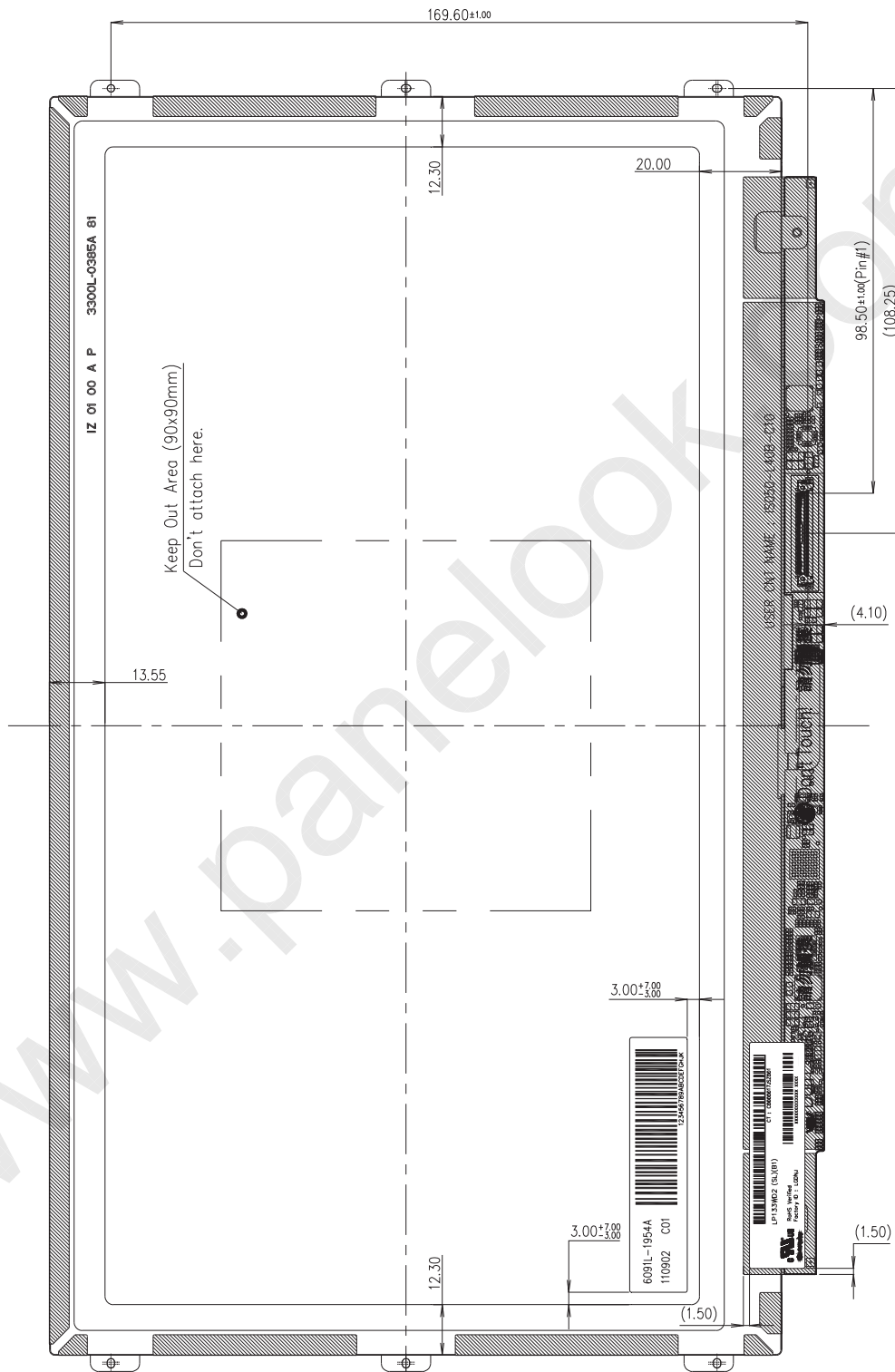


LP133WD2  
Liquid Crystal Display

Product Specification

<REAR VIEW>

Note) Unit:[mm], General tolerance: ± 0.5mm





LP133WD2  
Liquid Crystal Display

## Product Specification

### 6. Reliability

Environment test condition

No.	Test Item	Conditions
1	High temperature storage test	Ta= 60°C, 240h
2	Low temperature storage test	Ta= -20°C, 240h
3	High temperature operation test	Ta= 50°C, 50%RH, 240h
4	Low temperature operation test	Ta= 0°C, 240h
5	Vibration test (non-operating)	Sine wave, 5 ~ 150Hz, 1.5G, 0.37oct/min 3 axis, 30min/axis
6	Shock test (non-operating)	- No functional or cosmetic defects following a shock to all 6 sides delivering at least 180 G in a half sine pulse no longer than 2 ms to the display module - No functional defects following a shock delivering at least 200 g in a half sine pulse no longer than 2 ms to each of 6 sides. Each of the 6 sides will be shock tested with one each display, for a total of 6 displays
7	Altitude operating storage / shipment	0 ~ 10,000 feet (3,048m) 24Hr 0 ~ 40,000 feet (12,192m) 24Hr

{ Result Evaluation Criteria }

There should be no change which might affect the practical display function when the display quality test is conducted under normal operating condition.

## 7. International Standards

### 7-1. Safety

- a) UL 60950-1, Second Edition, Underwriters Laboratories Inc.  
Information Technology Equipment - Safety - Part 1 : General Requirements.
- b) CAN/CSA C22.2 No.60950-1-07, Second Edition, Canadian Standards Association.  
Information Technology Equipment - Safety - Part 1 : General Requirements.
- c) EN 60950-1:2006 + A11:2009, European Committee for Electrotechnical Standardization (CENELEC).  
Information Technology Equipment - Safety - Part 1 : General Requirements.
- d) IEC 60950-1:2005, Second Edition, The International Electrotechnical Commission (IEC).  
Information Technology Equipment - Safety - Part 1 : General Requirements.

### 7-2. EMC

- a) ANSI C63.4 "American National Standard for Methods of Measurement of Radio-Noise Emissions from Low-Voltage Electrical and Electronic Equipment in the Range of 9 kHz to 40 GHz." American National Standards Institute (ANSI), 2003.
- b) CISPR 22 "Information technology equipment – Radio disturbance characteristics – Limit and methods of measurement." International Special Committee on Radio Interference (CISPR), 2005.
- c) CISPR 13 "Sound and television broadcast receivers and associated equipment – Radio disturbance characteristics – Limits and method of measurement." International Special Committee on Radio Interference (CISPR), 2006.

### 7-3. Environment

- a) RoHS, Directive 2002/95/EC of the European Parliament and of the council of 27 January 2003

## 8. Packing

### 8-1. Designation of Lot Mark

#### a) Lot Mark



A,B,C : SIZE(INCH)  
 E : MONTH

D : YEAR  
 F ~ M : SERIAL NO.



#### Note

##### 1. YEAR

Year	2011	2012	2013	2014	2015	2016	2017	2018	2019	2020
Mark	A	B	C	D	E	F	G	H	J	K

##### 2. MONTH

Month	Jan	Feb	Mar	Apr	May	Jun	Jul	Aug	Sep	Oct	Nov	Dec
Mark	1	2	3	4	5	6	7	8	9	A	B	C

#### b) Location of Lot Mark

Serial No. is printed on the label. The label is attached to the backside of the LCD module.  
 This is subject to change without prior notice.

### 8-2. Packing Form

a) Package quantity in one box : 20 pcs

b) Box Size : 478 \* 365 \* 244 mm



LP133WD2  
Liquid Crystal Display

Product Specification

# APPENDIX-1

■ Box Label

<b>LP133WD2</b>		
<b>SLB1</b>		
20 PCS	LOT/MM-DD	
MADE IN CHINA		RoHS Verified
 ***** **		

■ Pallet Label

<b>LP133WD2</b>		
<b>SLB1</b>		
480 PCS	LOT/MM-DD	
MADE IN CHINA		RoHS Verified
 ***** **		

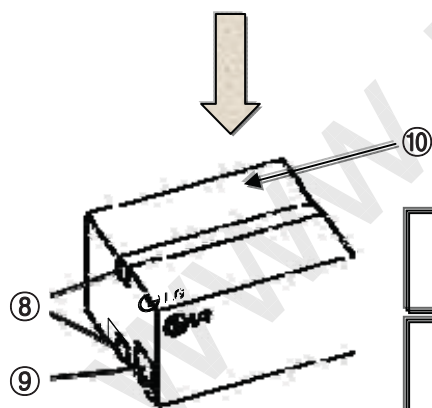


LP133WD2  
Liquid Crystal Display

Product Specification

# APPENDIX-2

■ Packing Assembly



- 1 LCM / 1 Paper Tray
- 5 LCM / 1 Paper Pad
- 1 Paper Pad / 1 Slot
- 20 LCM/Box = 4 Slot

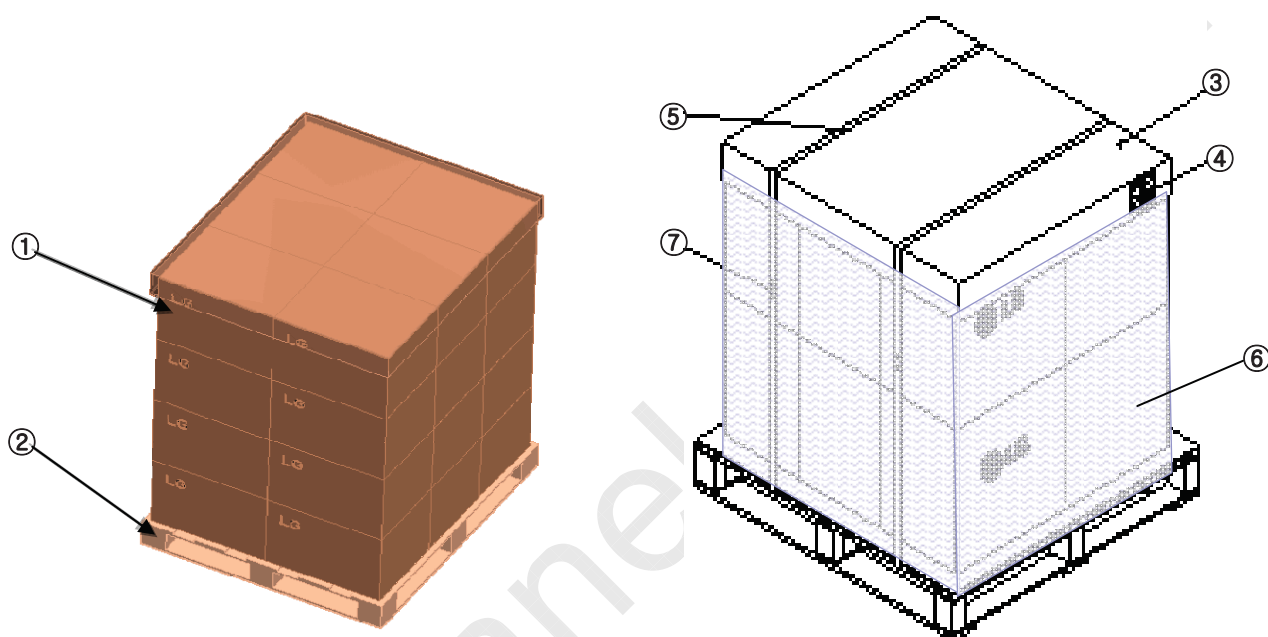
NO.	DESCRIPTION	MATERIAL
1	LCM	
2	Bag	LDPE
3	Tape	OPP
4	Paper Tray	Paper
5	Paper Pad	Paper
6	AL Bag	AL
7	EPS Packing	EPS
8	Tape	OPP
9	Label	ART
10	Box	Paper



## Product Specification

## # APPENDIX-3

## ■ Pallet Assembly



NO.	DESCRIPTION	MATERIAL
1	Packing AssY	
2	Pallet	Plywood
3	Angle Cover	SWR4
4	Label	ART 100X70
5	Band	PP
6	Wrap	LLDPE
7	CLIP	Steel

## 9. PRECAUTIONS

Please pay attention to the followings when you use this TFT LCD module.

### 9-1. MOUNTING PRECAUTIONS

- (1) You must mount a module using holes arranged in four corners or four sides.
- (2) You should consider the mounting structure so that uneven force (ex. Twisted stress) is not applied to the module. And the case on which a module is mounted should have sufficient strength so that external force is not transmitted directly to the module.
- (3) Please attach the surface transparent protective plate to the surface in order to protect the polarizer. Transparent protective plate should have sufficient strength in order to resist external force.
- (4) You should adopt radiation structure to satisfy the temperature specification.
- (5) Acetic acid type and chlorine type materials for the cover case are not desirable because the former generates corrosive gas of attacking the polarizer at high temperature and the latter causes circuit break by electro-chemical reaction.
- (6) Do not touch, push or rub the exposed polarizers with glass, tweezers or anything harder than HB pencil lead. And please do not rub with dust clothes with chemical treatment. Do not touch the surface of polarizer for bare hand or greasy cloth. (Some cosmetics are detrimental to the polarizer.)
- (7) When the surface becomes dusty, please wipe gently with absorbent cotton or other soft materials like chamois soaks with petroleum benzene. Normal-hexane is recommended for cleaning the adhesives used to attach front / rear polarizers. Do not use acetone, toluene and alcohol because they cause chemical damage to the polarizer.
- (8) Wipe off saliva or water drops as soon as possible. Their long time contact with polarizer causes deformations and color fading.
- (9) Do not open the case because inside circuits do not have sufficient strength.
- (10) When handling the LCD module, it needs to handle with care not to give mechanical stress to the PCB and Mounting Hole area."

### 9-2. OPERATING PRECAUTIONS

- (1) The spike noise causes the mis-operation of circuits. It should be lower than following voltage :  
 $V = \pm 200\text{mV}$  (Over and under shoot voltage)
- (2) Response time depends on the temperature. (In lower temperature, it becomes longer.)
- (3) Brightness depends on the temperature. (In lower temperature, it becomes lower.)  
And in lower temperature, response time (required time that brightness is stable after turned on) becomes longer.
- (4) Be careful for condensation at sudden temperature change. Condensation makes damage to polarizer or electrical contacted parts. And after fading condensation, smear or spot will occur.
- (5) When fixed patterns are displayed for a long time, remnant image is likely to occur.
- (6) Module has high frequency circuits. Sufficient suppression to the electromagnetic interference shall be done by system manufacturers. Grounding and shielding methods may be important to minimize the interference.

### 9-3. ELECTROSTATIC DISCHARGE CONTROL

Since a module is composed of electronic circuits, it is not strong to electrostatic discharge. Make certain that treatment persons are connected to ground through wrist band etc. And don't touch interface pin directly.

### 9-4. PRECAUTIONS FOR STRONG LIGHT EXPOSURE

Strong light exposure causes degradation of polarizer and color filter.

### 9-5. STORAGE

When storing modules as spares for a long time, the following precautions are necessary.

- (1) Store them in a dark place. Do not expose the module to sunlight or fluorescent light. Keep the temperature between 5°C and 35°C at normal humidity.
- (2) The polarizer surface should not come in contact with any other object.  
It is recommended that they be stored in the container in which they were shipped.

### 9-6. HANDLING PRECAUTIONS FOR PROTECTION FILM

- (1) When the protection film is peeled off, static electricity is generated between the film and polarizer. This should be peeled off slowly and carefully by people who are electrically grounded and with well ion-blown equipment or in such a condition, etc.
- (2) The protection film is attached to the polarizer with a small amount of glue. If some stress is applied to rub the protection film against the polarizer during the time you peel off the film, the glue is apt to remain on the polarizer.  
Please carefully peel off the protection film without rubbing it against the polarizer.
- (3) When the module with protection film attached is stored for a long time, sometimes there remains a very small amount of glue still on the polarizer after the protection film is peeled off.
- (4) You can remove the glue easily. When the glue remains on the polarizer surface or its vestige is recognized, please wipe them off with absorbent cotton waste or other soft material like chamois soaked with normal-hexane.



LP133WD2  
Liquid Crystal Display

Product Specification

APPENDIX A. Enhanced Extended Display Identification Data (EEDID™) 1/3

	Byte (Dec)	Byte (Hex)	Field Name and Comments	Value (Hex)	Value (Bin)
Header	0	00	Header	00	00000000
	1	01	Header	FF	11111111
	2	02	Header	FF	11111111
	3	03	Header	FF	11111111
	4	04	Header	FF	11111111
	5	05	Header	FF	11111111
	6	06	Header	FF	11111111
	7	07	Header	00	00000000
Vendor / Product EDID Version	8	08	EISA manufacture code ( 3 Character ID ) LGD	30	00110000
	9	09	EISA manufacture code (Compressed ASC II)	E4	11100100
	10	0A	Panel Supplier Reserved - Product Code 037Fh	7F	01111111
	11	0B	( Hex, LSB first )	03	00000011
	12	0C	LCD Module Serial No - Preferred but Optional ("0" If not used)	00	00000000
	13	0D	LCD Module Serial No - Preferred but Optional ("0" If not used)	00	00000000
	14	0E	LCD Module Serial No - Preferred but Optional ("0" If not used)	00	00000000
	15	0F	LCD Module Serial No - Preferred but Optional ("0" If not used)	00	00000000
	16	10	Week of Manufacture 00 weeks	00	00000000
	17	11	Year of Manufacture 2012 years	16	00010110
Display Parameters	18	12	EDID structure version # = 1	01	00000001
	19	13	EDID revision # = 3	03	00000011
	20	14	Video input Definition = Digital signal	80	10000000
	21	15	Max H image size (Rounded cm) = 29 cm	1D	00011101
	22	16	Max V image size (Rounded cm) = 17 cm	11	00010001
	23	17	Display gamma = (gamma*100)-100 = Example:(2.2*100)-100=120 = 2.2 Gamma	78	01111000
	24	18	Feature Support (no_DPMS, no_Active Off/Very Low Power, RGB color display, Timing BLK I,no_GTF)	0A	00001010
	Panel Color Coordinates	25	19	Red/Green Low Bits (RxRy/GxGy)	8F
26		1A	Blue/White Low Bits (BxBY/WxWy)	15	00010101
27		1B	Red X Rx = 0.596	98	10011000
28		1C	Red Y Ry = 0.355	5B	01011011
29		1D	Green X Gx = 0.335	55	01010101
30		1E	Green Y Gy = 0.562	8F	10001111
31		1F	Blue X Bx = 0.152	27	00100111
32		20	Blue Y By = 0.130	21	00100001
33		21	White X Wx = 0.313	50	01010000
34		22	White Y Wy = 0.329	54	01010100
Established Timings	35	23	Established timing 1 (00h if not used)	00	00000000
	36	24	Established timing 2 (00h if not used)	00	00000000
	37	25	Manufacturer's timings (00h if not used)	00	00000000
Standard Timing ID	38	26	Standard timing ID1 (01h if not used)	01	00000001
	39	27	Standard timing ID1 (01h if not used)	01	00000001
	40	28	Standard timing ID2 (01h if not used)	01	00000001
	41	29	Standard timing ID2 (01h if not used)	01	00000001
	42	2A	Standard timing ID3 (01h if not used)	01	00000001
	43	2B	Standard timing ID3 (01h if not used)	01	00000001
	44	2C	Standard timing ID4 (01h if not used)	01	00000001
	45	2D	Standard timing ID4 (01h if not used)	01	00000001
	46	2E	Standard timing ID5 (01h if not used)	01	00000001
	47	2F	Standard timing ID5 (01h if not used)	01	00000001
	48	30	Standard timing ID6 (01h if not used)	01	00000001
	49	31	Standard timing ID6 (01h if not used)	01	00000001
	50	32	Standard timing ID7 (01h if not used)	01	00000001
	51	33	Standard timing ID7 (01h if not used)	01	00000001
	52	34	Standard timing ID8 (01h if not used)	01	00000001
	53	35	Standard timing ID8 (01h if not used)	01	00000001



LP133WD2  
Liquid Crystal Display

Product Specification

APPENDIX A. Enhanced Extended Display Identification Data (EEDID™) 2/3

	Byte (Dec)	Byte (Hex)	Field Name and Comments	Value (Hex)	Value (Bin)
Timing Descriptor #1	54	36	Pixel Clock/10,000 (LSB) 97.74 MHz @ 60.1Hz	2E	00101110
	55	37	Pixel Clock/10,000 (MSB)	26	00100110
	56	38	Horizontal Active (lower 8 bits) 1600 Pixels	40	01000000
	57	39	Horizontal Blanking(Thp-HA) (lower 8 bits) 184 Pixels	B8	10111000
	58	3A	Horizontal Active / Horizontal Blanking(Thp-HA) (upper 4:4bits)	60	01100000
	59	3B	Vertical Active 900 Lines	84	10000100
	60	3C	Vertical Blanking (Tvp-HA) (DE Blanking typ. for DE only panels) 12 Lines	0C	00001100
	61	3D	Vertical Active : Vertical Blanking (Tvp-HA) (upper 4:4bits)	30	00110000
	62	3E	Horizontal Sync. Offset (Thfp) 48 Pixels	30	00110000
	63	3F	Horizontal Sync Pulse Width (HSPW) 48 Pixels	30	00110000
	64	40	Vertical Sync Offset(Tvfp) : Sync Width (VSPW) 2 Lines : 3 Lines	23	00100011
	65	41	Horizontal Vertical Sync Offset/Width (upper 2bits)	00	00000000
	66	42	Horizontal Image Size (mm) 294 mm	26	00100110
	67	43	Vertical Image Size (mm) 166 mm	A6	10100110
	68	44	Horizontal Image Size / Vertical Image Size	10	00010000
	69	45	Horizontal Border = 0 (Zero for Notebook LCD)	00	00000000
	70	46	Vertical Border = 0 (Zero for Notebook LCD)	00	00000000
71	47	Non-Interface, Normal display, no stereo, Digital Separate ( Vsync_NEG, Hsync_NEG ), DE only note : LSB is set to '1' if panel is DE-timing only. H/V can be ignored.	19	00011001	
Timing Descriptor #2	72	48	Flag	00	00000000
	73	49	Flag	00	00000000
	74	4A	Flag	00	00000000
	75	4B	Data Type Tag (Descriptor Defined by manufacturer )	00	00000000
	76	4C	Flag	00	00000000
	77	4D	Descriptor Defined by manufacturer	00	00000000
	78	4E	Descriptor Defined by manufacturer	00	00000000
	79	4F	Descriptor Defined by manufacturer	00	00000000
	80	50	Descriptor Defined by manufacturer	00	00000000
	81	51	Descriptor Defined by manufacturer	00	00000000
	82	52	Descriptor Defined by manufacturer	00	00000000
	83	53	Descriptor Defined by manufacturer	00	00000000
	84	54	Descriptor Defined by manufacturer	00	00000000
	85	55	Descriptor Defined by manufacturer	00	00000000
	86	56	Descriptor Defined by manufacturer	00	00000000
	87	57	Descriptor Defined by manufacturer	00	00000000
	88	58	Descriptor Defined by manufacturer	00	00000000
89	59	Descriptor Defined by manufacturer	00	00000000	
Timing Descriptor #3	90	5A	Flag	00	00000000
	91	5B	Flag	00	00000000
	92	5C	Flag	00	00000000
	93	5D	Data Type Tag ( ASCII String )	FE	11111110
	94	5E	Flag	00	00000000
	95	5F	ASCII String L	4C	01001100
	96	60	ASCII String G	47	01000111
	97	61	ASCII String	20	00100000
	98	62	ASCII String D	44	01000100
	99	63	ASCII String i	69	01101001
	100	64	ASCII String s	73	01110011
	101	65	ASCII String p	70	01110000
	102	66	ASCII String l	6C	01101100
	103	67	ASCII String a	61	01100001
	104	68	ASCII String y	79	01111001
	105	69	Manufacturer P/N(If<13 char--> 0Ah, then terminate with ASCII code 0Ah,set remaining char = 20)	0A	00001010
	106	6A	Manufacturer P/N(If<13 char--> 0Ah, then terminate with ASCII code 0Ah,set remaining char = 20)	20	00100000
107	6B	Manufacturer P/N(If<13 char--> 0Ah, then terminate with ASCII code 0Ah,set remaining char = 20)	20	00100000	



LP133WD2  
Liquid Crystal Display

Product Specification

APPENDIX A. Enhanced Extended Display Identification Data (EEDID™) 3/3

	Byte (Dec)	Byte (Hex)	Field Name and Comments	Value (Hex)	Value (Bin)
<i>Timing Descriptor #4</i>	108	6C	Flag	00	00000000
	109	6D	Flag	00	00000000
	110	6E	Flag	00	00000000
	111	6F	Data Type Tag ( ASCII String )	FE	11111110
	112	70	Flag	00	00000000
	113	71	ASCII String L	4C	01001100
	114	72	ASCII String P	50	01010000
	115	73	ASCII String 1	31	00110001
	116	74	ASCII String 3	33	00110011
	117	75	ASCII String 3	33	00110011
	118	76	ASCII String W	57	01010111
	119	77	ASCII String D	44	01000100
	120	78	ASCII String 2	32	00110010
	121	79	ASCII String -	2D	00101101
	122	7A	ASCII String S	53	01010011
123	7B	ASCII String L	4C	01001100	
124	7C	ASCII String B	42	01000010	
125	7D	ASCII String 1	31	00110001	
<i>Checksum</i>	126	7E	Extension flag (# of optional 128 panel ID extension block to follow, Typ = 0)	00	00000000
	127	7F	Check Sum (The 1-byte sum of all 128 bytes in this panel ID block shall = 0)	BD	10111101