

## Product Specification

# SPECIFICATION FOR APPROVAL

( ) Preliminary Specification

( ◆ ) Final Specification

Title	10.1" WX TFT LCD
-------	------------------

Customer	Lenovo
MODEL	

SUPPLIER	LG Display Co., Ltd.
*MODEL	LP101WX2
Suffix	SLA1

\*When you obtain standard approval,  
please use the above model name without suffix

APPROVED BY	SIGNATURE
/	_____
/	_____
/	_____

Please return 1 copy for your confirmation with your signature and comments.

APPROVED BY	SIGNATURE
S. W. Paeng / Manager	_____
REVIEWED BY	
P. A. Choi / Manager	_____
PREPARED BY	
K. C. Choi / Engineer	_____

**Products Engineering Dept.  
LG Display Co., Ltd**

## Product Specification

Contents

No	ITEM	Page
	COVER	1
	CONTENTS	2
	RECORD OF REVISIONS	3
1	GENERAL DESCRIPTION	4
2	ABSOLUTE MAXIMUM RATINGS	5
3	ELECTRICAL SPECIFICATIONS	
3-1	ELECTRICAL CHARACTERISTICS	6
3-2	INTERFACE CONNECTION	7
3-3	LVDS SIGNAL TIMING SPECIFICATIONS	8
3-4	SIGNAL TIMING SPECIFICATIONS	10
3-5	SIGNAL TIMING WAVEFORMS	10
3-6	COLOR INPUT DATA REFERENCE	11
3-7	POWER SEQUENCE FOR LCM	12
3-8	POWER SEQUENCE FOR TOUCH	13
3-9	WAKE-UP SEQUENCE FOR TOUCH	16
4	TOUCH SPECIFICATION	
4-1	GENERAL SPECIFICATION	17
4-2	TOUCH PERFORMANCE	17
5	OPTICAL SPECIFICATIONS	18
6	MECHANICAL CHARACTERISTICS	20
7	RELIABILITY	22
8	INTERNATIONAL STANDARDS	
8-1	SAFETY	23
8-2	EMC	23
9	PACKING	
9-1	DESIGNATION OF LOT MARK	24
9-2	PACKING FORM	24

## Product Specification

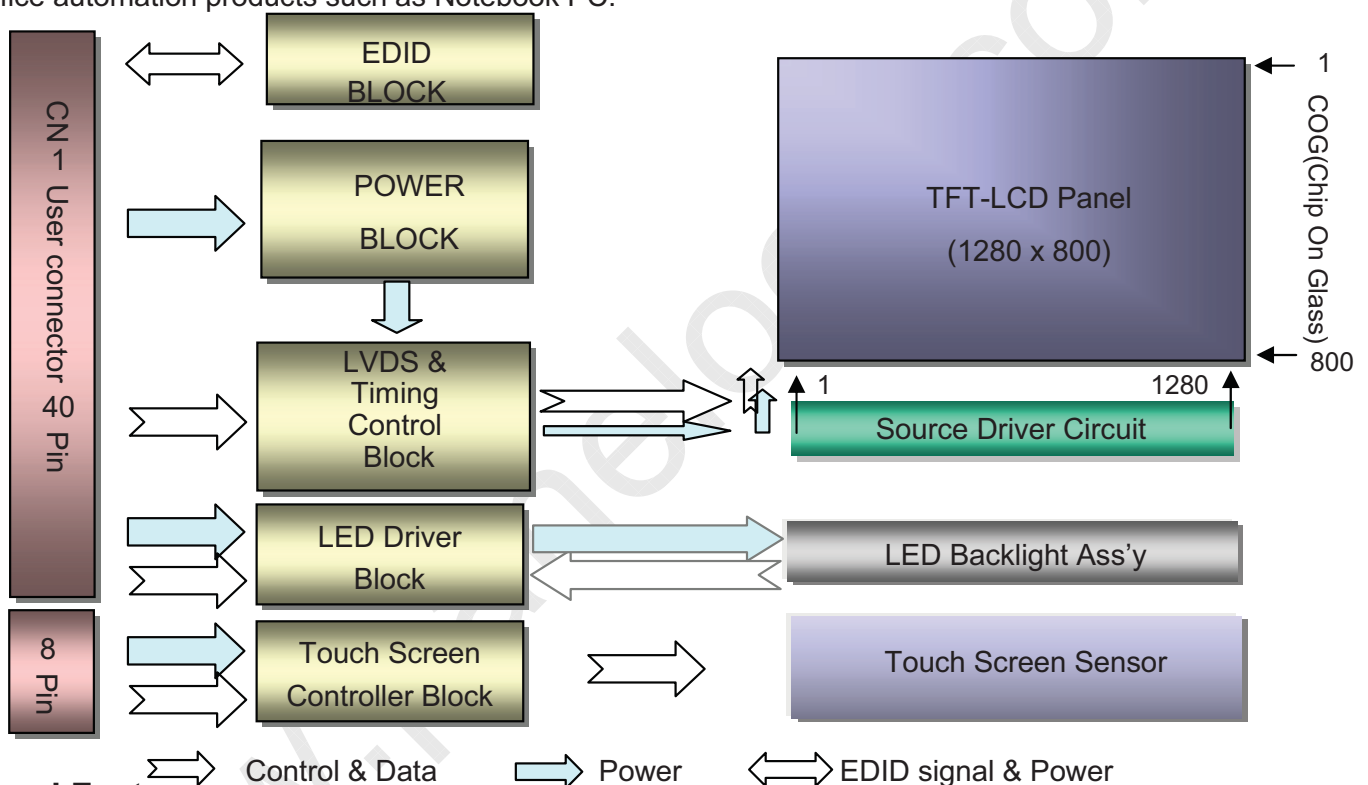
**RECORD OF REVISIONS**

Revision No	Revision Date	Page	Description	EDID ver
0.0	Nov. 08. 2011	All	First Draft (Preliminary Specification)	-
0.1	Feb. 22.2012	6	Idle current : 20mA → 15mA	
		17	Touch specification is added.	
		18	Color coordination is added.	
		19	Gray Scale is added.	
0.2	Mar.06.2012	6	V <sub>PWM_H</sub> , VLED_EN_H is changed to 2.5V	0.0
0.3	Mar.12.2012	12	Dclk typ. Is changed to 69.3Mhz	
		4,6,8	VLED typ.min Voltage and power consumption are changed.	
		14	Power sequence is changed	
1.0	May.04.2012	24	Safety comment is changed.	1.0
		9	Touch pinmap is modified	
		16	Touch wake-up sequence is deleted because of not to use.	
		4	Depth - LCM : 4.35mm → 4.45mm - LCM+Touch : 5.8mm → 5.9mm Luminance Spec. : Expression of 'wo./TSP Spec.' is deleted. Color coordination : Expression of 'wo./TSP Spec.' is deleted.	
1.1	May.10.2012	4,20	Weight - LCM : 145g → 155g - LCM+Touch : 260g → 270g	
		21	LCM drawing is Updated. (AL Plate) Label drawing is changed.	
		21	Camera hole size is added.	

## Product Specification

## 1. General Description

The LP101WX2 is a Color Active Matrix Liquid Crystal Display with an integral LED backlight system and Touch Screen Panel. The matrix employs a-Si Thin Film Transistor as the active element. It is a transmissive type display operating in the normally white mode. This TFT-LCD has 10.1 inches diagonally measured active display area with WXGA resolution (1280 horizontal by 800 vertical pixel array). Each pixel is divided into Red, Green and Blue sub-pixels or dots which are arranged in vertical stripes. Gray scale or the brightness of the sub-pixel color is determined with a 6-bit gray scale signal for each dot, thus, presenting a palette of more than 262,144 colors. The LP101WX2 has been designed to apply the interface method that enables low power, high speed, low EMI. The LP101WX2 is intended to support applications where thin thickness, low power are critical factors and graphic displays are important. In combination with the vertical arrangement of the sub-pixels, the LP101WX2 characteristics provide an excellent flat display for office automation products such as Notebook PC.



### General Features

Active Screen Size	10.1 inches diagonal
Outline Dimension	LCD : 228.60(H) × 148.15(V) × 4.45(D,Max.) [mm], w PCB C/Shield Area LCD + Touch : 257.20(H) × 175.40(V) × 5.9(D,Max.) [mm], w PCB (w/o Touch PCB)
Pixel Pitch	0.1695mm × 0.1695 mm
Pixel Format	1280 horiz. By 800 vert. Pixels RGB strip arrangement
Color Depth	6-bit+2bit FRC, 16,772,216 colors
Luminance, White	360cd/m <sup>2</sup> (Typ.5 point)
Power Consumption	Total 3.54W W(typ.) (Logic :0.52 W (typ. @ Mosaic, VCC=3.3V), B/L : 2.85W (typ.@ VLED 3.7V, Duty=100% ),TSP: 0.17W(typ. @ VTSP=3.3V))
Weight	155g (Max.), 270g w/ TSP
Display Operating Mode	Transmissive mode, normally Black
Touch IC	LGD STM32F103(MCU) + LDC3001(ROIC,2)
Surface Treatment	LCD: Glare treatment of the front polarizer, Touch: AF(Anti-Finger) Coating
RoHS Compliance	Yes
BFR / PVC / As Free	Yes for all

## Product Specification

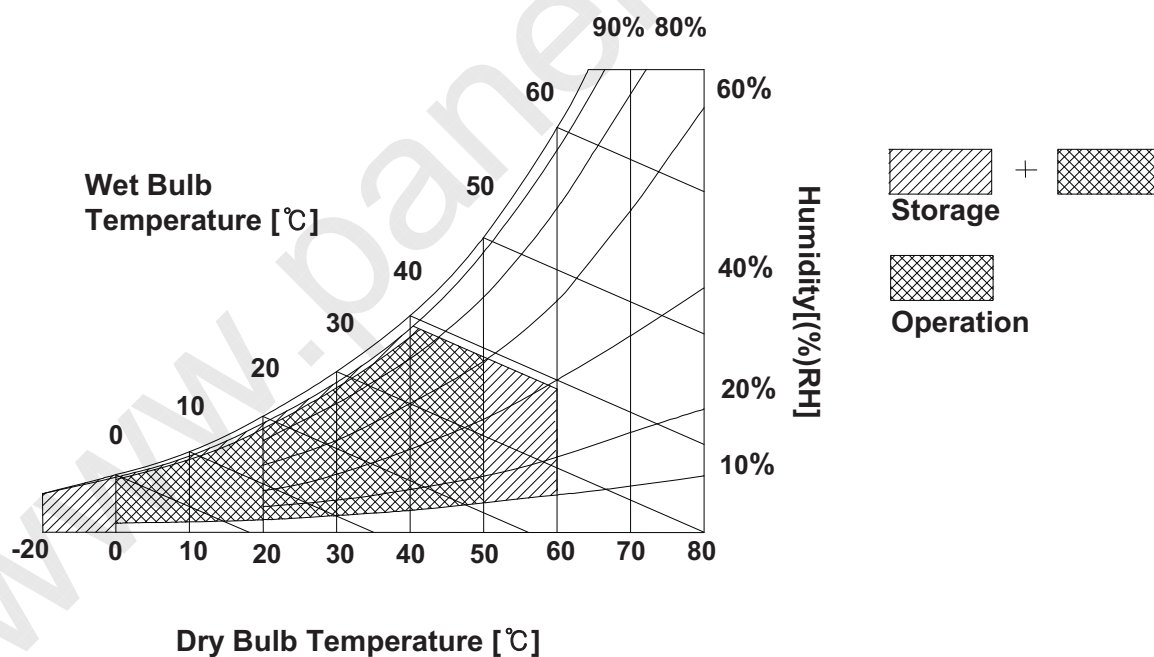
## 2. Absolute Maximum Ratings

The following are maximum values which, if exceeded, may cause faulty operation or damage to the unit.

**Table 1. ABSOLUTE MAXIMUM RATINGS**

Parameter	Symbol	Values		Units	Notes
		Min	Max		
Power Input Voltage	VCC	-0.3	4.0	Vdc	at 25 ± 5°C
Operating Temperature	T <sub>OP</sub>	0	50	°C	1
Storage Temperature	HST	-20	60	°C	1
Operating Ambient Humidity	H <sub>OP</sub>	10	90	%RH	1
Storage Humidity	H <sub>ST</sub>	10	90	%RH	1

Note : 1. Temperature and relative humidity range are shown in the figure below.  
 Wet bulb temperature should be 39°C Max, and no condensation of water.



## Product Specification

### 3. Electrical Specifications

#### 3-1. Electrical Characteristics

The LP101WX2 requires two power inputs. One is employed to power the LCD electronics and to drive the TFT array and liquid crystal. The second input which powers the LED BL.

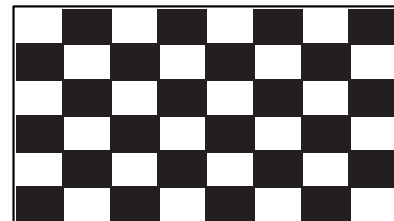
**Table 2. ELECTRICAL CHARACTERISTICS**

Parameter	Symbol	Values			Unit	Notes	
		Min	Typ	Max			
LOGIC :							
Power Supply Input Voltage	VCC	3.2	3.3	4.2	V	1	
Power Supply Input Current	ICC	-	157	181	mA	2	
Power Consumption	PCC	-	0.52	0.60	W	2	
Power Supply Inrush Current	ICC_P	-	-	1500	mA	3	
LVDS Impedance	ZLVDS	90	100	110	$\Omega$	4	
BACKLIGHT : ( with LED Driver)							
LED Power Input Voltage	VLED	3.2	3.7	16	V	5	
LED Power Input Current	ILED	-	770	797	mA	6	
LED Power Consumption	PLED	-	2.85	2.95	W	6	
LED Power Inrush Current	ILED_P	-	-	2000	mA	7	
PWM Duty Ratio	-	5	-	100	%	8	
PWM Jitter	-	0	-	0.2	%	9	
PWM Impedance	ZPWM	20	40	60	k $\Omega$		
PWM Frequency	FPWM	200	-	1000	Hz		
PWM High Level Voltage	V <sub>PWM_H</sub>	2.5	-	5.3	V		
PWM Low Level Voltage	V <sub>PWM_L</sub>	0	-	0.3	V		
LED_EN Impedance	ZPWM	20	40	60	k $\Omega$		
LED_EN High Voltage	VLED_EN_H	2.5	-	5.3	V		
LED_EN Low Voltage	VLED_EN_L	0	-	0.3	V		
Life Time		15,000	-	-	Hrs	10	
TSP SCREEN PANEL							
Power Supply Input Voltage	VTSP	3.0	3.3	3.6	V		
Power Supply Input Current	ITSP	Active	-	52	59	mA	@10 Hz
		Idle	-	15	-		
Power Consumption	PTSP	-	0.17	0.19	W	11	

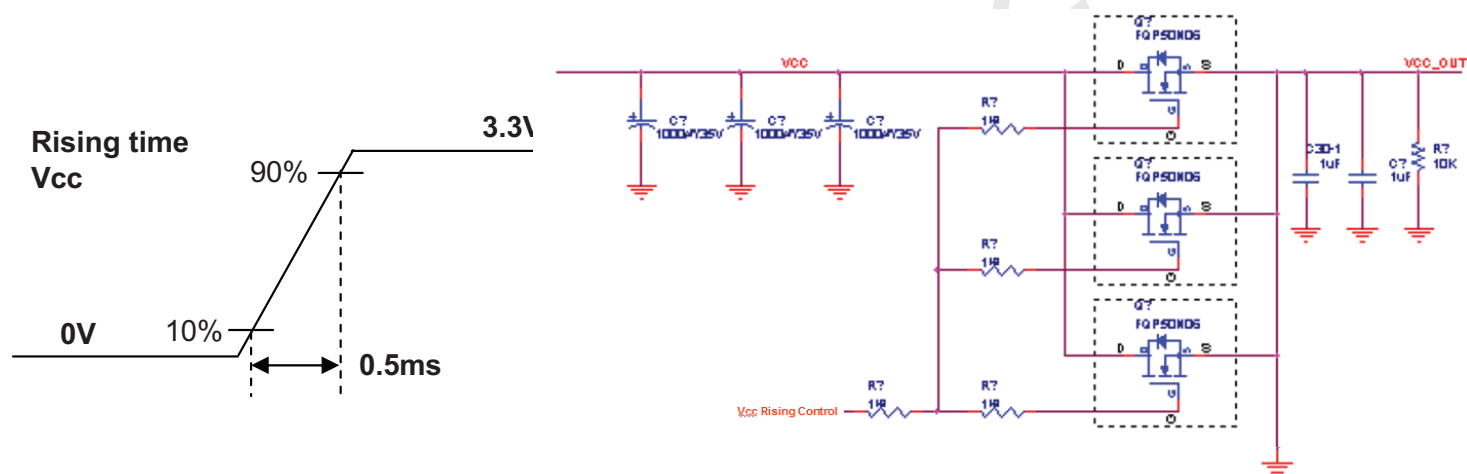
## Product Specification

## Note)

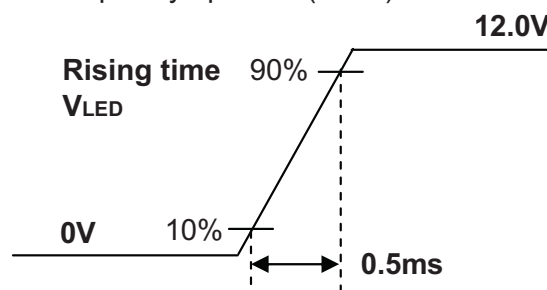
1. The measuring position is the connector of LCM and the test conditions are under 25°C,  $f_v = 60\text{Hz}$ , Black pattern.
2. The specified  $I_{cc}$  current and power consumption are under the  $V_{cc} = 3.3\text{V}$ , 25°C,  $f_v = 60\text{Hz}$  condition and Mosaic pattern.



3. The below figures are the measuring  $V_{cc}$  condition and the  $V_{cc}$  control block LGD used.  
The  $V_{cc}$  condition is same as the minimum of T1 at Power on sequence.



4. This impedance value is needed for proper display and measured from LVDS Tx to the mating connector.
5. The measuring position is the connector of LCM and the test conditions are under 25°C.
6. The current and power consumption with LED Driver are under the  $V_{led} = 3.7\text{V}$ , 25°C, Dimming of Max luminance and White pattern with the normal frame frequency operated(60Hz).
7. The below figures are the measuring  $V_{led}$  condition and the  $V_{led}$  control block LGD used.  
 $V_{LED}$  control block is same with  $V_{cc}$  control block.



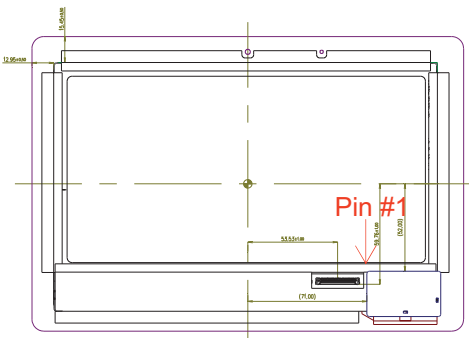
8. The operation of LED Driver below minimum dimming ratio may cause flickering or reliability issue.
9. This Spec. is not effective at 100% dimming ratio as an exception because it has DC level equivalent to 0Hz. In spite of acceptable range as defined, the PWM Frequency should be fixed and stable for more consistent brightness control at any specific level desired.
10. The life time is determined as the time at which brightness of LCD is 50% compare to that of minimum value specified in table 7. under general user condition.
11. The specified  $I_{TSP}$  current and power consumption (PTSP) are under the  $V_{TSP} = 3.3\text{V}$ , 25°C, 100Hz at 1-finger and Active mode.

## Product Specification

### 3-2. Interface Connections

#### 3-2-1. LCD Control Board Connection

This LCD employs two interface connections, a 40 pin connector used for the module electronics interface and the other connector used for the integral backlight system.

Pin	Symbol	Description	Notes
1	NC	No Connection	<b>[Interface Chip]</b> 1. LCD : SiW, SW0624(LCD Controller) Including LVDS Receiver. 2. System : * Pin to Pin compatible with LVDS  <b>[Connector]</b> UJU IS050-L40B-C10 LSMtron GT05Q-40S-H10 or equivalent  <b>[Mating Connector]</b> 20345-#40E-## series or equivalent  <b>[Connector pin arrangement]</b> 
2	VCC	LCD Logic and driver power (3.3V Typ.)	
3	VCC	LCD Logic and driver power (3.3V Typ.)	
4	V EEDID	DDC Power (3.3V)	
5	Test	Panel Self Test	
6	Clk EEDID	DDC Clock	
7	DATA EEDID	DDC Data	
8	ORX0-	Negative LVDS differential data input	
9	ORX0+	Positive LVDS differential data input	
10	GND	High Speed Ground	
11	ORX1-	Negative LVDS differential data input	
12	ORX1+	Positive LVDS differential data input	
13	GND	High Speed Ground	
14	ORX2-	Negative LVDS differential data input	
15	ORX2+	Positive LVDS differential data input	
16	GND	High Speed Ground	
17	ORXC-	Negative LVDS differential clock input	
18	ORXC+	Positive LVDS differential clock input	
19	GND	High Speed Ground	
20	ORX3-	Negative LVDS differential data input	
21	ORX3+	Positive LVDS differential data input	
22	GND	High Speed Ground	
23	NC	No Connection	
24	NC	No Connection	
25	GND	High Speed Ground	
26	NC	No Connection	
27	NC	No Connection	
28	GND	High Speed Ground	
29	NC	No Connection	
30	NC	No Connection	
31	GND	LED Backlight Ground	
32	GND	LED Backlight Ground	
33	GND	LED Backlight Ground	
34	NC	No Connection	
35	PWM	System PWM Signal input for dimming	
36	LED_EN	LED Backlight On/Off	
37	NC	No Connection	
38	VLED	LED Backlight Power (3.2V-4.2V)	
39	VLED	LED Backlight Power (3.2V-4.2V)	
40	VLED	LED Backlight Power (3.2V-4.2V)	

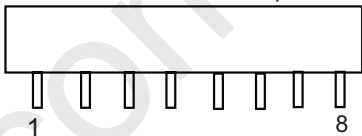
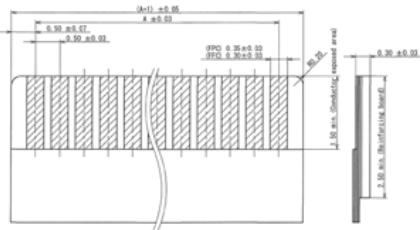
[LCD Module Rear View]



## Product Specification

**3-2. Touch Control Board Connection( for I2C)**

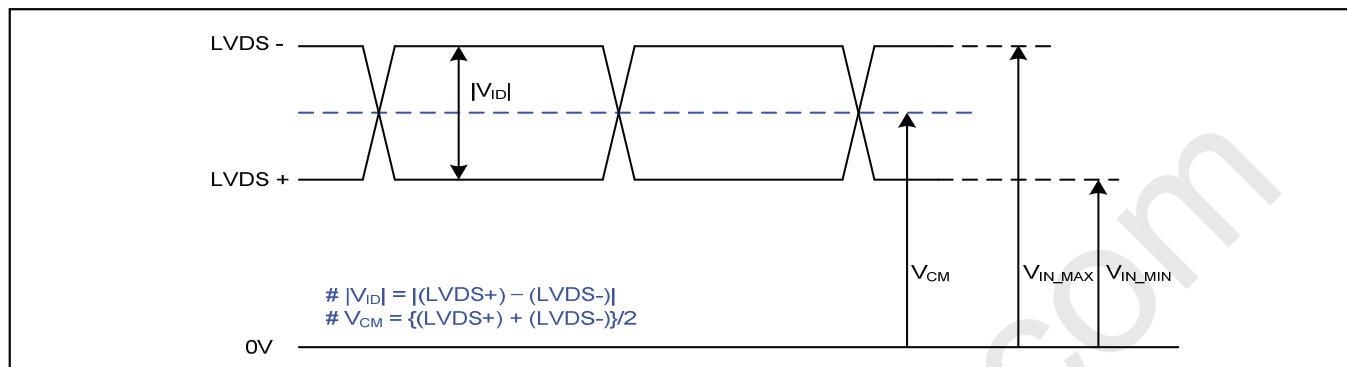
This TSP employs a 8 pin connector used for the Touch I2C interface.

Pin	Symbol	Description	Notes
1	ID	Pull-Low, ID pin	<b>[Connector]</b> Panasonic AYF530835 or equivalent  <b>[Mating FPC]</b>  <b>A=3.5mm</b>
2	VDD_3.3V	Supply Voltage 3.3V	
3	I2C_SDA	I2C Data	
4	I2C_SCL	I2C Clock	
5	IRQ	Interrupt Signal (from Set)	
6	NC	No connection	
7	Wake	Wake-up Interrupt Signal ( from Set )	
8	GND	Ground	

## Product Specification

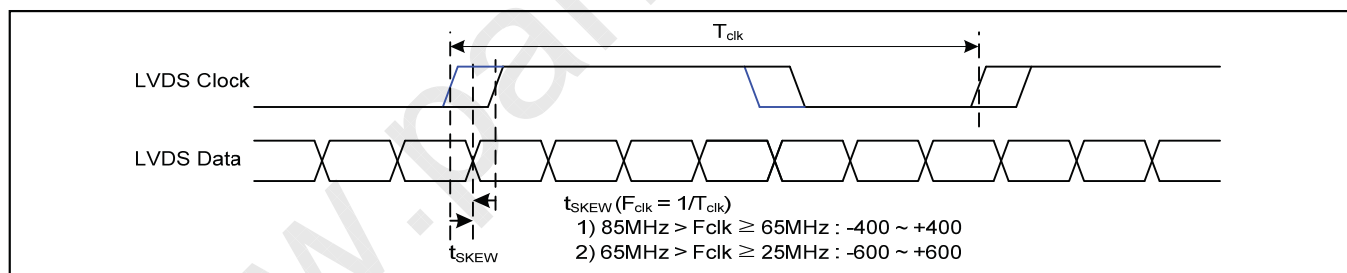
### 3-3. LVDS Signal Timing Specifications

#### 3-3-1. DC Specification

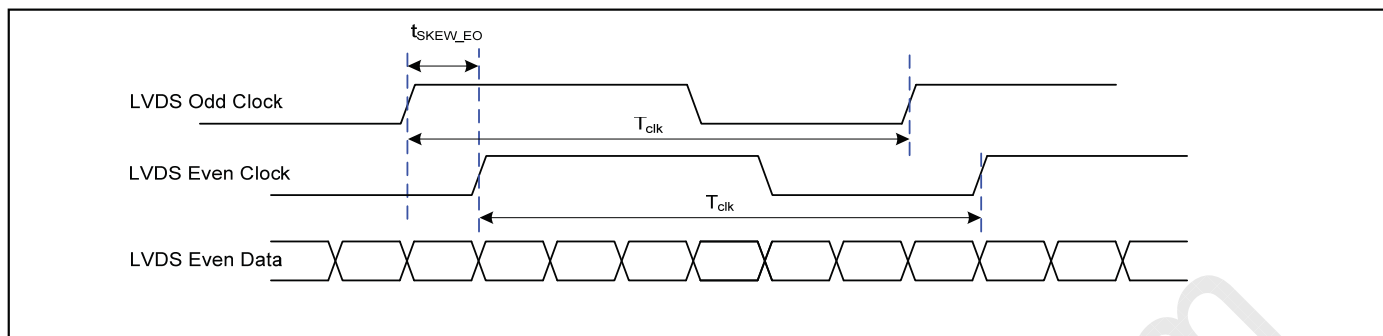


Description	Symbol	Min	Max	Unit	Notes
LVDS Differential Voltage	$ V_{ID} $	100	600	mV	-
LVDS Common mode Voltage	$V_{CM}$	0.6	1.8	V	-
LVDS Input Voltage Range	$V_{IN}$	0.3	2.1	V	-

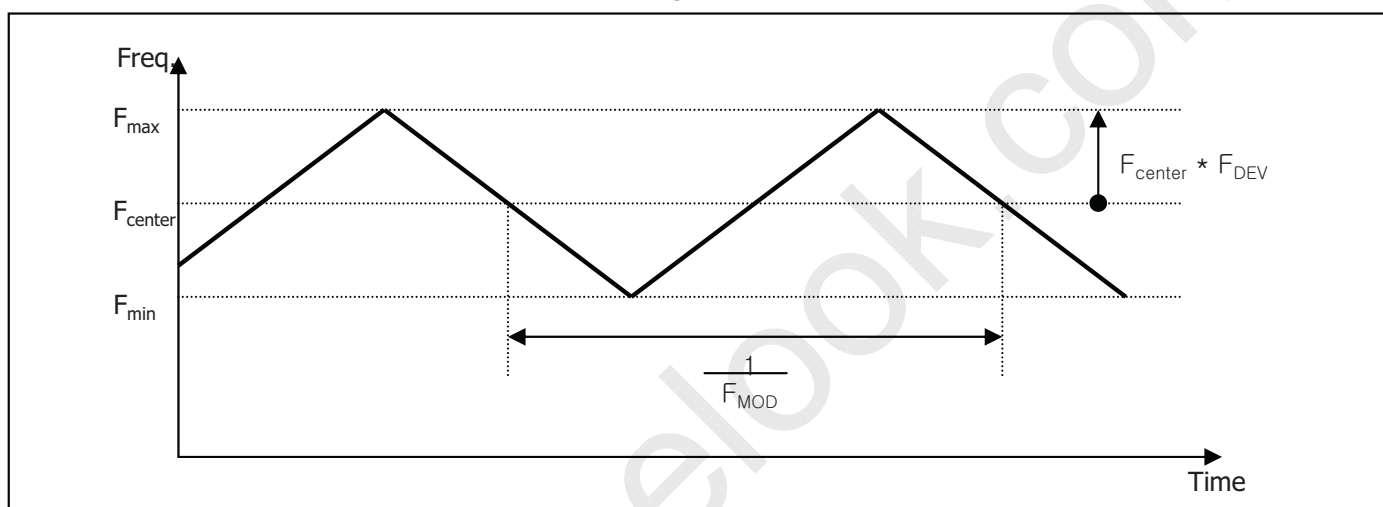
#### 3-3-2. AC Specification



Description	Symbol	Min	Max	Unit	Notes
LVDS Clock to Data Skew Margin	$t_{SKEW}$	- 400	+ 400	ps	$85MHz > F_{clk} \geq 65MHz$
	$t_{SKEW}$	- 600	+ 600	ps	$65MHz > F_{clk} \geq 25MHz$
LVDS Clock to Clock Skew Margin (Even to Odd)	$t_{SKEW\_EO}$	- 1/7	+ 1/7	$T_{clk}$	-
Maximum deviation of input clock frequency during SSC	$F_{DEV}$	-	$\pm 3$	%	-
Maximum modulation frequency of input clock during SSC	$F_{MOD}$	-	200	KHz	-

**Product Specification**


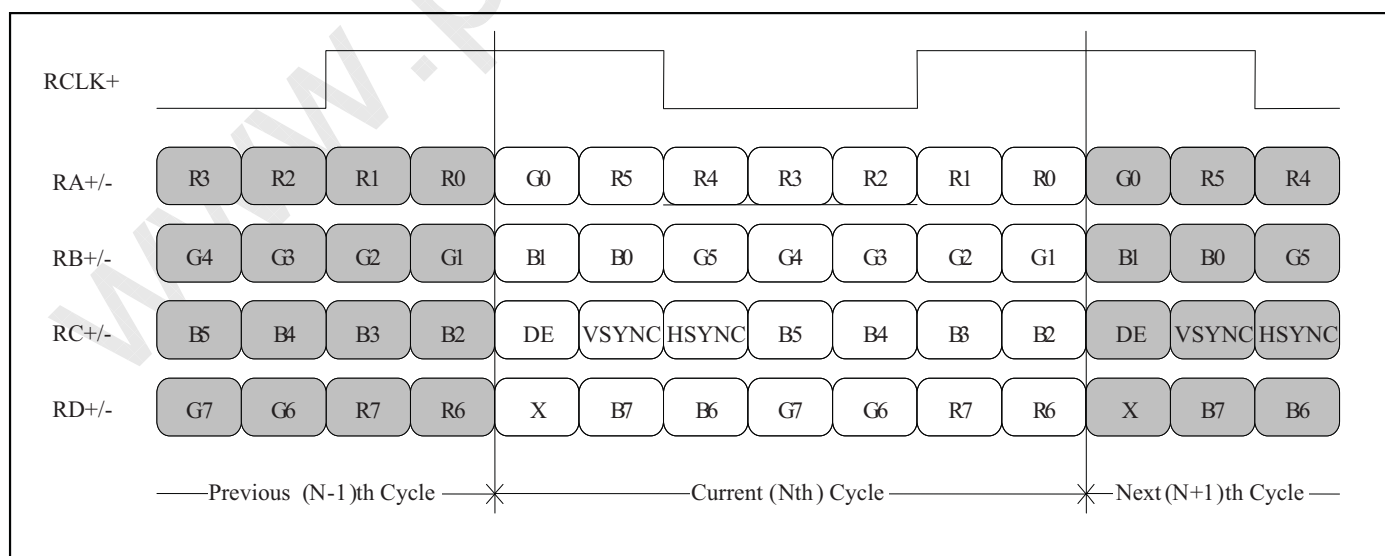
&lt; Clock skew margin between channel &gt;



&lt; Spread Spectrum &gt;

**3-3-3. Data Format**

## - LVDS 1 Port



&lt; LVDS Data Format &gt;

## Product Specification

### 3-4. Signal Timing Specifications

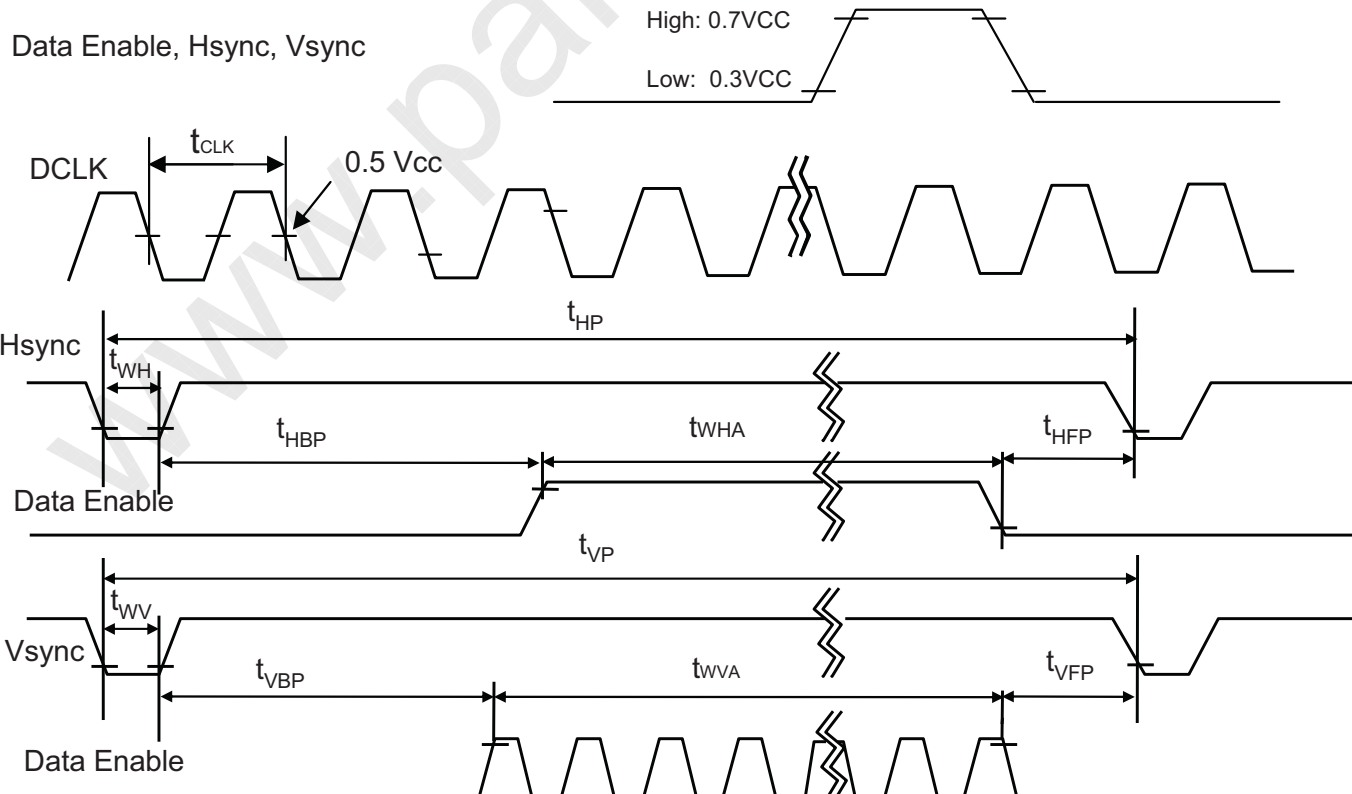
This is the signal timing required at the input of the User connector. All of the interface signal timing should be satisfied with the following specifications and specifications of LVDS Tx/Rx for its proper operation.

**Table 5. TIMING TABLE**

ITEM	Symbol	Min	Typ	Max	Unit	Note
DCLK	Frequency	$f_{CLK}$	67.5	69.3	74.5	MHz
Hsync	Period	$T_{HP}$	1366	1404	1488	tCLK
	Width	$t_{WH}$	16	32	48	
	Width-Active	$t_{WHA}$	1280	1280	1280	
Vsync	Period	$t_{VP}$	811	823	847	tHP
	Width	$t_{WV}$	3	7	9	
	Width-Active	$t_{WVA}$	800	800	800	
Data Enable	Horizontal back porch	$t_{HBP}$	32	44	80	tCLK
	Horizontal front porch	$t_{HFP}$	16	48	62	
	Vertical back porch	$t_{VBP}$	7	12	35	tHP
	Vertical front porch	$t_{VFP}$	2	4	6	

### 3-5. Signal Timing Waveforms

Condition : VCC = 3.3V



## Product Specification

### 3-6. Color Input Data Reference

The brightness of each primary color (red, green and blue) is based on the 6-bit gray scale data input for the color ; the higher the binary input, the brighter the color. The table below provides a reference for color versus data input.

**Table 7. COLOR DATA REFERENCE**

Color		Input Color Data																	
		RED						GREEN						BLUE					
		MSB			LSB			MSB			LSB			MSB			LSB		
		R5	R4	R3	R2	R1	R0	G5	G4	G3	G2	G1	G0	B5	B4	B3	B2	B1	B0
Basic Color	Black	0	0	0	0	0	0	0	0	0	0	0	0	0	0	0	0	0	0
	Red	1	1	1	1	1	1	0	0	0	0	0	0	0	0	0	0	0	0
	Green	0	0	0	0	0	0	1	1	1	1	1	1	0	0	0	0	0	0
	Blue	0	0	0	0	0	0	0	0	0	0	0	0	1	1	1	1	1	1
	Cyan	0	0	0	0	0	0	1	1	1	1	1	1	1	1	1	1	1	1
	Magenta	1	1	1	1	1	1	0	0	0	0	0	0	1	1	1	1	1	1
	Yellow	1	1	1	1	1	1	1	1	1	1	1	1	0	0	0	0	0	0
	White	1	1	1	1	1	1	1	1	1	1	1	1	1	1	1	1	1	1
RED	RED (00)	0	0	0	0	0	0	0	0	0	0	0	0	0	0	0	0	0	0
	RED (01)	0	0	0	0	0	1	0	0	0	0	0	0	0	0	0	0	0	0
	...	...	...	...	...	...	...	...	...	...	...	...	...	...	...	...	...	...	
	RED (62)	1	1	1	1	1	0	0	0	0	0	0	0	0	0	0	0	0	0
	RED (63)	1	1	1	1	1	1	0	0	0	0	0	0	0	0	0	0	0	0
GREEN	GREEN (00)	0	0	0	0	0	0	0	0	0	0	0	0	0	0	0	0	0	0
	GREEN (01)	0	0	0	0	0	0	0	0	0	0	0	1	0	0	0	0	0	0
	...	...	...	...	...	...	...	...	...	...	...	...	...	...	...	...	...	...	
	GREEN (62)	0	0	0	0	0	0	1	1	1	1	1	0	0	0	0	0	0	0
	GREEN (63)	0	0	0	0	0	0	1	1	1	1	1	1	0	0	0	0	0	0
BLUE	BLUE (00)	0	0	0	0	0	0	0	0	0	0	0	0	0	0	0	0	0	0
	BLUE (01)	0	0	0	0	0	0	0	0	0	0	0	0	0	0	0	0	0	1
	...	...	...	...	...	...	...	...	...	...	...	...	...	...	...	...	...	...	
	BLUE (62)	0	0	0	0	0	0	0	0	0	0	0	0	1	1	1	1	1	0
	BLUE (63)	0	0	0	0	0	0	0	0	0	0	0	0	1	1	1	1	1	1

## Product Specification

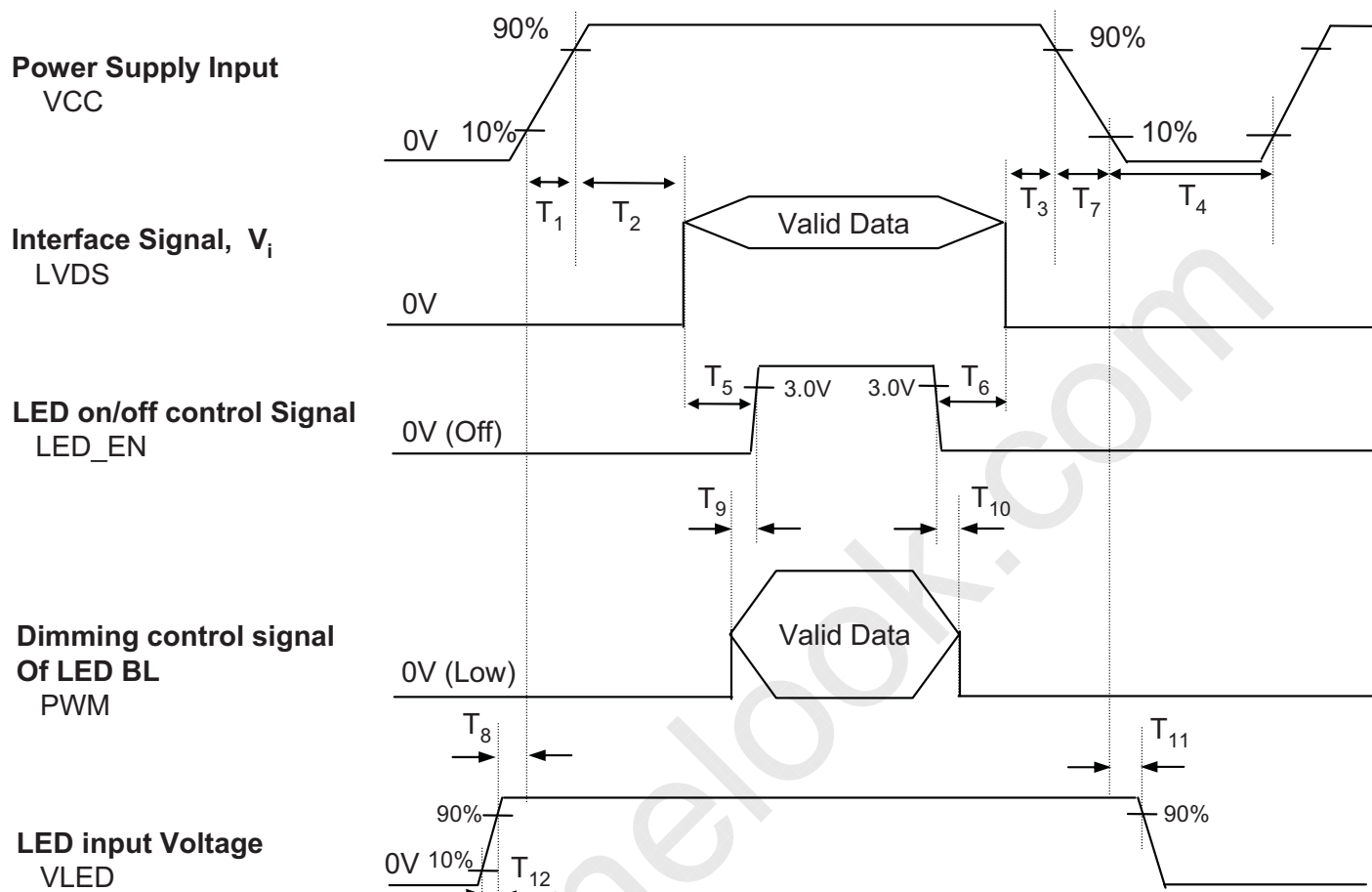


Table 6. POWER SEQUENCE TABLE

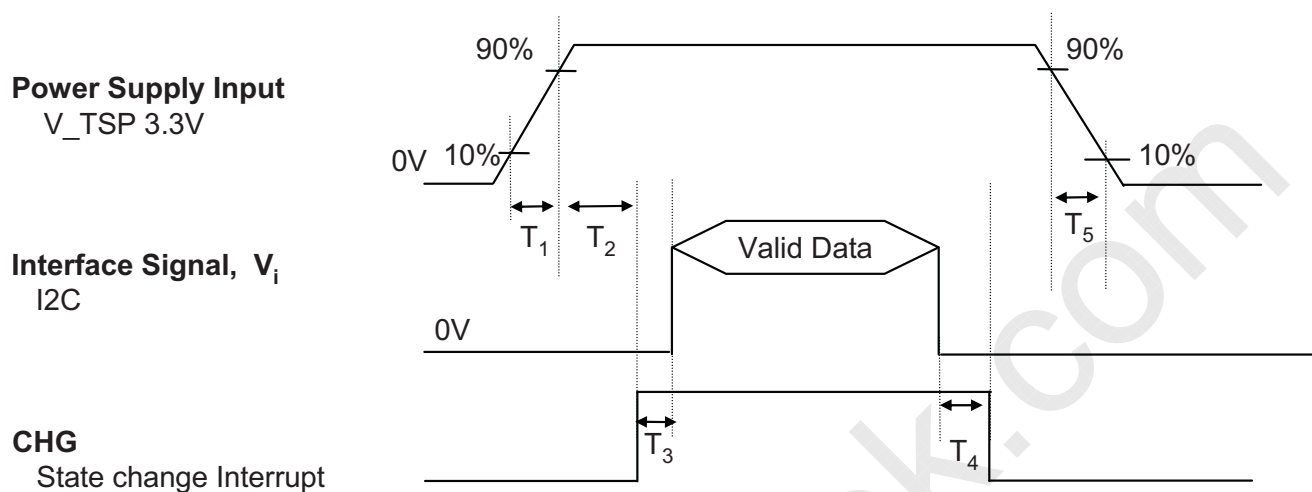
Logic Parameter	Value			Units
	Min.	Typ.	Max.	
T <sub>1</sub>	0.5	-	10	ms
T <sub>2</sub>	0	-	50	ms
T <sub>3</sub>	0	-	50	ms
T <sub>4</sub>	200	-	-	ms
T <sub>5</sub>	200	-	-	ms
T <sub>6</sub>	200	-	-	ms
T <sub>7</sub>	3	-	10	ms

LED Parameter	Value			Units
	Min.	Typ.	Max.	
T <sub>8</sub>	2	-	-	ms
T <sub>9</sub>	0	-	-	ms
T <sub>10</sub>	0	-	-	ms
T <sub>11</sub>	1	-	-	ms
T <sub>12</sub>	0.5	-	-	ms

Note)

1. Do not insert the mating cable when system turn on.
2. Valid Data have to meet "3-3. LVDS Signal Timing Specifications"
3. LVDS, LED\_EN and PWM need to be on pull-down condition on invalid status.
4. LGD recommend the rising sequence of VLED after the Vcc and valid status of LVDS turn on.

## Product Specification

**3-8. Power Sequence for touch**

**Table 6. POWER SEQUENCE TABLE**

Parameter	Value			Units
	Min.	Typ.	Max.	
T <sub>1</sub>	0.5	-	10	ms
T <sub>2</sub>	15	-	-	ms
T <sub>3</sub>	0.1	-	-	ms
T <sub>4</sub>	-	-	0.5	ms
T <sub>5</sub>	-	-	10	ms

## Product Specification

## 4. Touch Specifications

### 4-1. General Specifications

The contents provide general characteristics for the model LP101WX2-SLA1.

	Item		Spec
General Specification	System		Projected, Capacitive type
	Multi touch points		10 points
	Active touch area		Same as LCD A/A
	Cover Lens	Outline	257.2 x 175.4 [mm]
		Type / Thickness	Dragon Trail / 0.7 [mm]
	Sensor Film	Outline	225.96 x 146.6 [mm]
		Type / Thickness	GF2 / 0.2 [mm]
	Resolution		1280 x 800
	Interface		I2C
Other Feature	Finger Separation		12 mm
	Water Rejection		Y
	Palm rejection		Y

### 4-2. Touch Performance

The contents provide general performance characteristics for the model LP101WX2-SLA1.

Parameter	Symbol	Values	Units	Notes
Sensitivity	$\phi$	5		
Report Rate	–	100	Hz	@ 1 Point Touch
	–	60	Hz	@ 10 Point Touch
Accuracy		1.5	mm	Center
		1.5	mm	Edge



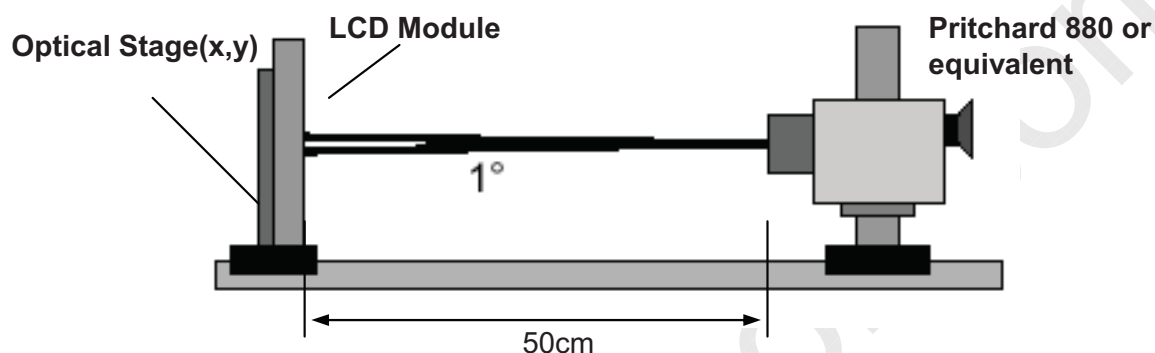
## Product Specification

## 5. Optical Specification

Optical characteristics are determined after the unit has been 'ON' and stable for approximately 30 minutes in a dark environment at 25°C. The values specified are at an approximate distance 50cm from the LCD surface at a viewing angle of  $\Phi$  and  $\Theta$  equal to 0°.

FIG. 1 presents additional information concerning the measurement equipment and method.

**FIG. 1 Optical Characteristic Measurement Equipment and Method**



**Table 8. OPTICAL CHARACTERISTICS**

$T_a=25^\circ\text{C}$ ,  $V_{CC}=3.3\text{V}$ ,  $f_v=60\text{Hz}$ ,  $f_{CLK}=69.3\text{MHz}$

Parameter	Symbol	Values			Units	Notes
		Min	Typ	Max		
Contrast Ratio	CR	500	-	-		1
Surface Luminance, white	$L_{WH}$	300	360	-		2
Luminance Variation	$\delta_{WHITE}$	-	1.4	1.6		3
Response Time	$T_{R}+T_{D}$	-	35	50	ms	4
Color Coordinates						
RED	RX	0.565	0.595	0.625		
	RY	0.325	0.355	0.385		
GREEN	GX	0.308	0.338	0.368		
	GY	0.536	0.566	0.596		
BLUE	BX	0.125	0.155	0.185		
	BY	0.088	0.118	0.148		
WHITE	WX	0.283	0.313	0.343		
	WY	0.299	0.329	0.359		
Viewing Angle						
x axis, right ( $\Phi=0^\circ$ )	$\Theta_r$	80	-	-	degree	5
x axis, left ( $\Phi=180^\circ$ )	$\Theta_l$	80	-	-	degree	
y axis, up ( $\Phi=90^\circ$ )	$\Theta_u$	80	-	-	degree	
y axis, down ( $\Phi=270^\circ$ )	$\Theta_d$	80	-	-	degree	
Gray Scale			2.2			6

## Product Specification

Note)

1. Contrast Ratio(CR) is defined mathematically as

$$\text{Contrast Ratio} = \frac{\text{Surface Luminance with all white pixels}}{\text{Surface Luminance with all black pixels}}$$

2. Surface luminance is the average of 5 point across the LCD surface 50cm from the surface with all pixels displaying white. For more information see FIG 1.

$$L_{WH} = \text{Average}(L_1, L_2, \dots L_5)$$

3. The variation in surface luminance , The panel total variation (
- $\delta_{WHITE}$
- ) is determined by measuring
- $L_N$
- at each test position 1 through 13 and then defined as followed numerical formula.
- 
- For more information see FIG 2.

$$\delta_{WHITE} = \frac{\text{Maximum}(L_1, L_2, \dots L_{13})}{\text{Minimum}(L_1, L_2, \dots L_{13})}$$

4. Response time is the time required for the display to transition from white to black (rise time,
- $Tr_R$
- ) and from black to white(Decay Time,
- $Tr_D$
- ). For additional information see FIG 3.
- 
5. Viewing angle is the angle at which the contrast ratio is greater than 10. The angles are determined for the horizontal or x axis and the vertical or y axis with respect to the z axis which is normal to the LCD surface. For more information see FIG 4.

6. Gray scale specification

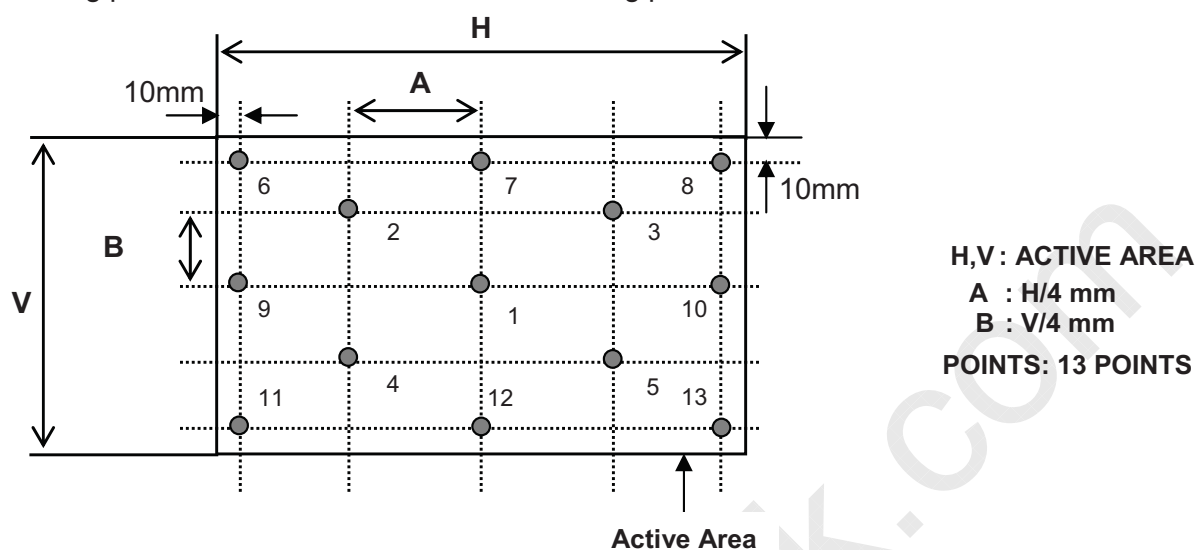
 \*  $f_V = 60\text{Hz}$ 

Gray Level	Luminance [%] (Typ)
L0	0.12
L7	0.80
L15	5.12
L23	13.6
L31	25.7
L39	41.5
L47	60.2
L55	79.9
L63	100

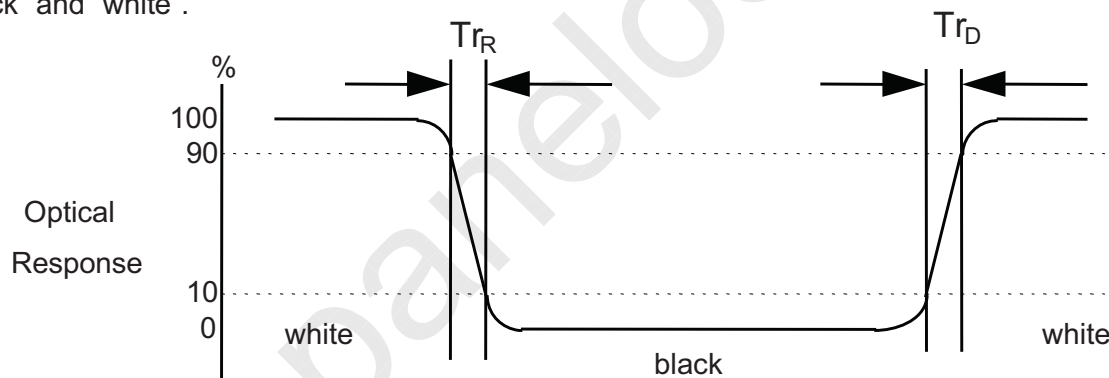
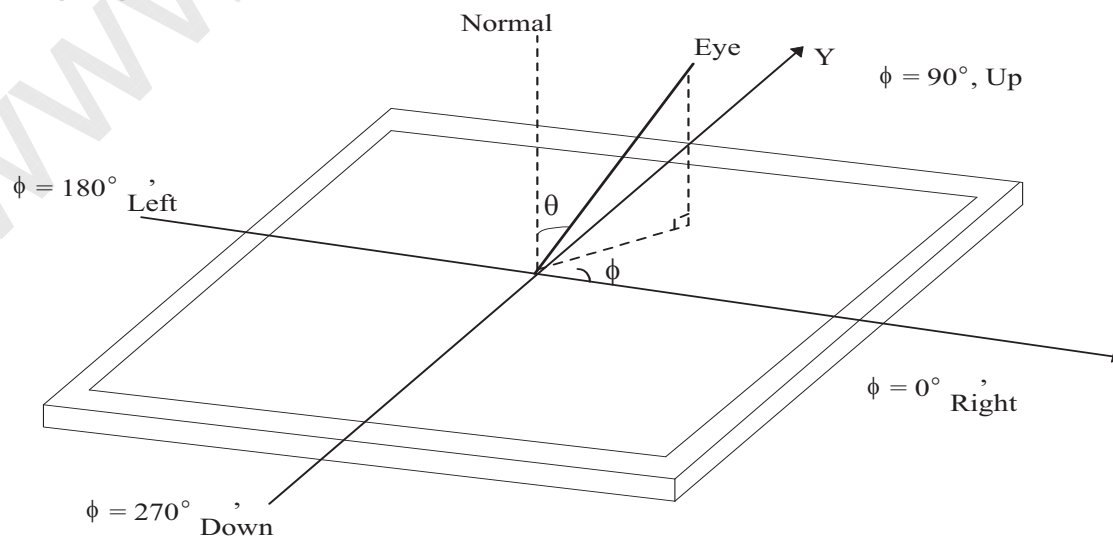
## Product Specification

**FIG. 2 Luminance**

&lt;measuring point for surface luminance &amp; measuring point for luminance variation&gt;


**FIG. 3 Response Time**

The response time is defined as the following figure and shall be measured by switching the input signal for "black" and "white".


**FIG. 4 Viewing angle**


## Product Specification

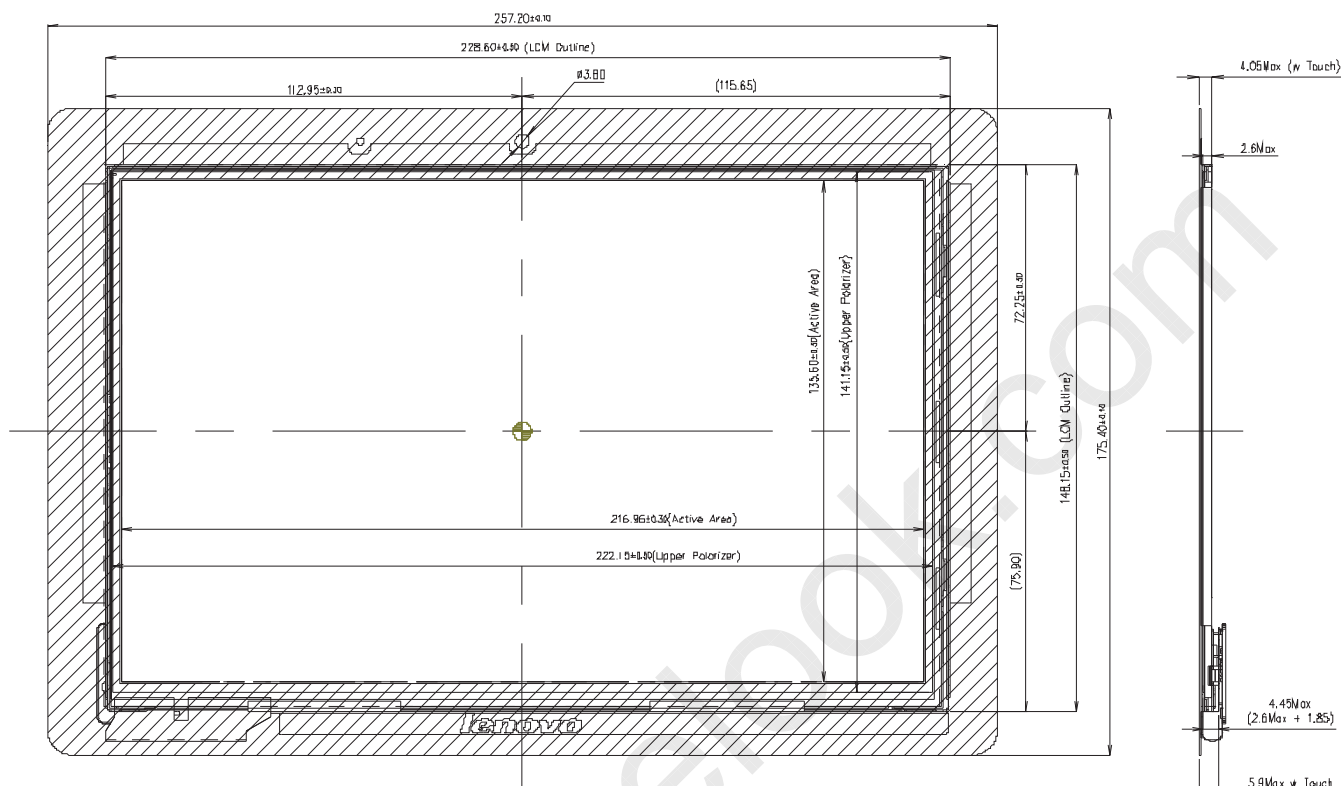
## 6. Mechanical Characteristics

The contents provide general mechanical characteristics for the model LP101WX2. In addition the figures in the next page are detailed mechanical drawing of the LCD.

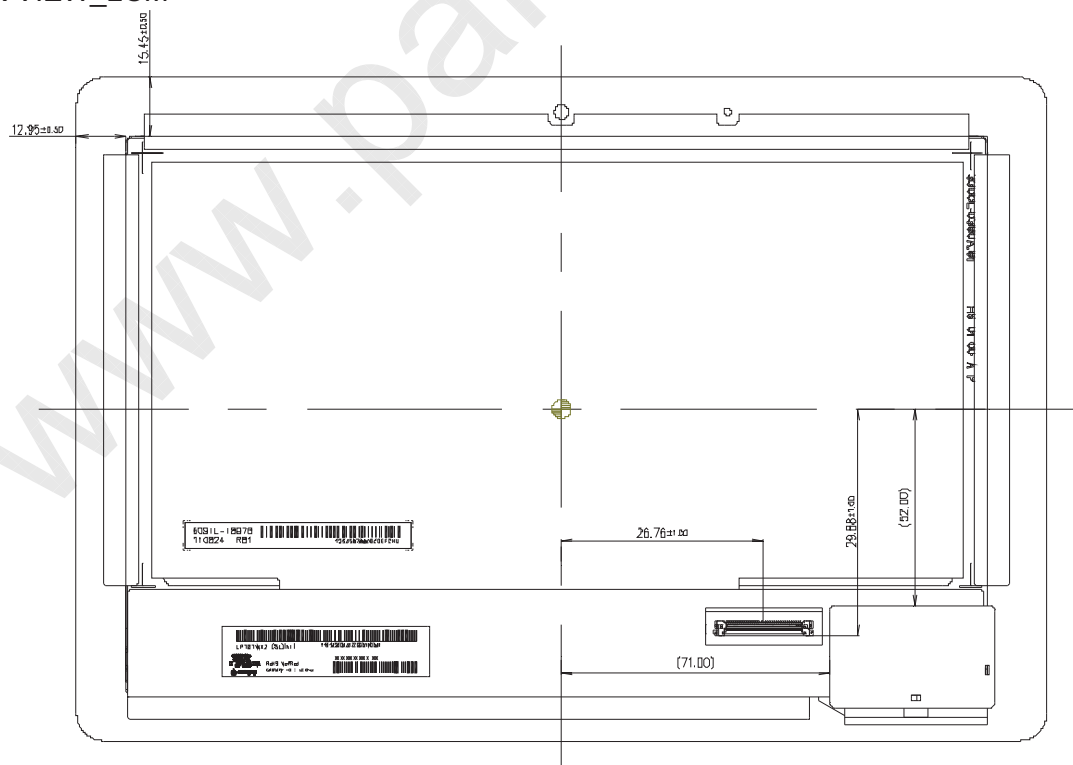
Outline Dimension	Horizontal	228.60 ± 0.5mm
	Vertical	148.15 ± 0.5mm
	Thickness	2.50mm (max), 4.45Max(w/ PCB C/Shield Area)
Active Display Area	Horizontal	216.96 mm
	Vertical	135.6 mm
Touch Screen Panel	Horizontal	257.2 mm
	Vertical	175.4 mm
	Thickness	1.45mm (max), 5.8Max(w/ PCB & w/o Touch PCB)
Weight	155g (Max.) w/o Touch, 270g (Max) w/ Touch	
Surface Treatment	LCD :Glare treatment of the front polarizer Touch : AF Coating	
Viewing Angle(Not fixed)	Viewing Angle(When Active area can be seen) ≤ 30°	

**Product Specification**

&lt;FRONT VIEW\_LCM&gt;

Note) Unit:[mm], General tolerance:  $\pm 0.5\text{mm}$ 

&lt;REAR VIEW\_LCM&gt;



## Product Specification

## 7. Reliability

Environment test condition

No.	Test Item	Conditions
1	High temperature storage test	Ta= 60°C, 240h
2	Low temperature storage test	Ta= -20°C, 240h
3	High temperature operation test	Ta= 50°C, 50%RH, 240h
4	Low temperature operation test	Ta= 0°C, 240h
5	Vibration test (non-operating)	Random, 1.0Grms, X,Y,Z Direction Test time : each direction 30min.
6	Shock test (non-operating)	Half sine wave, 180G, 2ms one shock of each six faces(l.e. run 180G 2ms for all six faces)
7	Altitude operating storage / shipment	0 ~ 10,000 feet (3,048m) 24Hr 0 ~ 40,000 feet (12,192m) 24Hr

{ Result Evaluation Criteria }

There should be no change which might affect the practical display function when the display quality test is conducted under normal operating condition.

## Product Specification

## 8. International Standards

### 8-1. Safety

- a) UL 60950-1, Underwriters Laboratories Inc.  
Information Technology Equipment - Safety - Part 1 : General Requirements.
- b) CAN/CSA C22.2 No.60950-1-07, Canadian Standards Association.  
Information Technology Equipment - Safety - Part 1 : General Requirements.
- c) EN 60950-1, European Committee for Electrotechnical Standardization (CENELEC).  
Information Technology Equipment - Safety - Part 1 : General Requirements.
- d) IEC 60950-1, The International Electrotechnical Commission (IEC).  
Information Technology Equipment - Safety - Part 1 : General Requirements.

### 8-2. EMC

- a) ANSI C63.4 "American National Standard for Methods of Measurement of Radio-Noise Emissions from Low-Voltage Electrical and Electronic Equipment in the Range of 9 kHz to 40 GHz." American National Standards Institute (ANSI), 2003.
- b) CISPR 22 "Information technology equipment – Radio disturbance characteristics – Limit and methods of measurement." International Special Committee on Radio Interference (CISPR), 2005.
- c) CISPR 13 "Sound and television broadcast receivers and associated equipment – Radio disturbance characteristics – Limits and method of measurement." International Special Committee on Radio Interference (CISPR), 2006.

### 8-3. Environment

- a) RoHS, Directive 2002/95/EC of the European Parliament and of the council of 27 January 2003

## Product Specification

## 9. Packing

### 9-1. Designation of Lot Mark

#### a) Lot Mark

A	B	C	D	E	F	G	H	I	J	K	L	M
---	---	---	---	---	---	---	---	---	---	---	---	---

A,B,C : SIZE(INCH)

E : MONTH

D : YEAR

F ~ M : SERIAL NO.

#### Note

##### 1. YEAR

Year	2011	2012	2013	2014	2015	2016	2017	2018	2019	2020
Mark	A	B	C	D	E	F	G	H	J	K

##### 2. MONTH

Month	Jan	Feb	Mar	Apr	May	Jun	Jul	Aug	Sep	Oct	Nov	Dec
Mark	1	2	3	4	5	6	7	8	9	A	B	C

#### b) Location of Lot Mark

Serial No. is printed on the label. The label is attached to the backside of the LCD module.

This is subject to change without prior notice.

### 9-2. Packing Form

a) Package quantity in one box : 40pcs

b) Box Size : 478\*365\*328



## Product Specification

## 10. PRECAUTIONS

Please pay attention to the followings when you use this TFT LCD module.

### 10-1. MOUNTING PRECAUTIONS

- (1) You must mount a module using holes arranged in four corners or four sides.
- (2) You should consider the mounting structure so that uneven force (ex. Twisted stress) is not applied to the module. And the case on which a module is mounted should have sufficient strength so that external force is not transmitted directly to the module.
- (3) Please attach the surface transparent protective plate to the surface in order to protect the polarizer. Transparent protective plate should have sufficient strength in order to resist external force.
- (4) You should adopt radiation structure to satisfy the temperature specification.
- (5) Acetic acid type and chlorine type materials for the cover case are not desirable because the former generates corrosive gas of attacking the polarizer at high temperature and the latter causes circuit break by electro-chemical reaction.
- (6) Do not touch, push or rub the exposed polarizers with glass, tweezers or anything harder than HB pencil lead. And please do not rub with dust clothes with chemical treatment. Do not touch the surface of polarizer for bare hand or greasy cloth.(Some cosmetics are detrimental to the polarizer.)
- (7) When the surface becomes dusty, please wipe gently with absorbent cotton or other soft materials like chamois soaks with petroleum benzene. Normal-hexane is recommended for cleaning the adhesives used to attach front / rear polarizers. Do not use acetone, toluene and alcohol because they cause chemical damage to the polarizer.
- (8) Wipe off saliva or water drops as soon as possible. Their long time contact with polarizer causes deformations and color fading.
- (9) Do not open the case because inside circuits do not have sufficient strength.

### 10-2. OPERATING PRECAUTIONS

- (1) The spike noise causes the mis-operation of circuits. It should be lower than following voltage :  
 $V = \pm 200\text{mV}$ (Over and under shoot voltage)
- (2) Response time depends on the temperature.(In lower temperature, it becomes longer.)
- (3) Brightness depends on the temperature. (In lower temperature, it becomes lower.)  
And in lower temperature, response time(required time that brightness is stable after turned on) becomes longer.
- (4) Be careful for condensation at sudden temperature change. Condensation makes damage to polarizer or electrical contacted parts. And after fading condensation, smear or spot will occur.
- (5) When fixed patterns are displayed for a long time, remnant image is likely to occur.
- (6) Module has high frequency circuits. Sufficient suppression to the electromagnetic interference shall be done by system manufacturers. Grounding and shielding methods may be important to minimize the interference.

### 10-3. ELECTROSTATIC DISCHARGE CONTROL

Since a module is composed of electronic circuits, it is not strong to electrostatic discharge. Make certain that treatment persons are connected to ground through wrist band etc. And don't touch interface pin directly.

### 10-4. PRECAUTIONS FOR STRONG LIGHT EXPOSURE

Strong light exposure causes degradation of polarizer and color filter.

### 10-5. STORAGE

When storing modules as spares for a long time, the following precautions are necessary.

- (1) Store them in a dark place. Do not expose the module to sunlight or fluorescent light. Keep the temperature between 5°C and 35°C at normal humidity.
- (2) The polarizer surface should not come in contact with any other object.  
It is recommended that they be stored in the container in which they were shipped.

### 10-6. HANDLING PRECAUTIONS FOR PROTECTION FILM

- (1) When the protection film is peeled off, static electricity is generated between the film and polarizer. This should be peeled off slowly and carefully by people who are electrically grounded and with well ion-blown equipment or in such a condition, etc.
- (2) The protection film is attached to the polarizer with a small amount of glue. If some stress is applied to rub the protection film against the polarizer during the time you peel off the film, the glue is apt to remain on the polarizer.  
Please carefully peel off the protection film without rubbing it against the polarizer.
- (3) When the module with protection film attached is stored for a long time, sometimes there remains a very small amount of glue still on the polarizer after the protection film is peeled off.
- (4) You can remove the glue easily. When the glue remains on the polarizer surface or its vestige is recognized, please wipe them off with absorbent cotton waste or other soft material like chamois soaked with normal-hexane.

## Product Specification

**APPENDIX A. Enhanced Extended Display Identification Data (EEDID™) 1/3**

	Byte (Dec)	Byte (Hex)	Field Name and Comments	Value (Hex)	Value (Bin)
<b>Header</b>	0	00	Header	00	00000000
	1	01	Header	FF	11111111
	2	02	Header	FF	11111111
	3	03	Header	FF	11111111
	4	04	Header	FF	11111111
	5	05	Header	FF	11111111
	6	06	Header	FF	11111111
	7	07	Header	00	00000000
<b>Vendor / Product EDID Version</b>	8	08	EISA manufacture code ( 3 Character ID ) LGD	30	00110000
	9	09	EISA manufacture code (Compressed ASC II)	E4	11100100
	10	0A	Panel Supplier Reserved - Product Code 0370h	70	01110000
	11	0B	( Hex. LSB first )	03	00000011
	12	0C	LCD Module Serial No - Preferred but Optional ("0" If not used)	00	00000000
	13	0D	LCD Module Serial No - Preferred but Optional ("0" If not used)	00	00000000
	14	0E	LCD Module Serial No - Preferred but Optional ("0" If not used)	00	00000000
	15	0F	LCD Module Serial No - Preferred but Optional ("0" If not used)	00	00000000
	16	10	Week of Manufacture 00 weeks	00	00000000
	17	11	Year of Manufacture 2011 years	15	00010101
	18	12	EDID structure version # = 1	01	00000001
	19	13	EDID revision # = 3	03	00000011
<b>Display Parameters</b>	20	14	Video input Definition = Digital signal	80	10000000
	21	15	Max H image size (Rounded cm) = 22cm	16	00010110
	22	16	Max V image size (Rounded cm) = 14cm	0E	00001110
	23	17	Display gamma = (gamma*100)-100 = Example:(2.2*100)-100=120	78	01111000
	24	18	Feature Support (no_DPMS, no_Active Off/Very Low Power, RGB color display, Timing BLK 1,no_GTF)	0A	00001010
<b>Panel Color Coordinates</b>	25	19	Red/Green Low Bits (RxRy/GxGy)	D4	11010100
	26	1A	Blue/White Low Bits (BxBY/WxWy)	E5	11100101
	27	1B	Red X Rx = 0.585	95	10010101
	28	1C	Red Y Ry = 0.349	59	01011001
	29	1D	Green X Gx = 0.341	57	01010111
	30	1E	Green Y Gy = 0.543	8B	10001011
	31	1F	Blue X Bx = 0.159	28	00101000
	32	20	Blue Y By = 0.127	20	00100000
	33	21	White X Wx = 0.313	50	01010000
	34	22	White Y Wy = 0.329	54	01010100
<b>Established Timing</b>	35	23	Established timing 1 (00h if not used)	00	00000000
	36	24	Established timing 2 (00h if not used)	00	00000000
<b>Standard Timing ID</b>	37	25	Manufacturer's timings (00h if not used)	00	00000000
	38	26	Standard timing ID1 (01h if not used)	01	00000001
	39	27	Standard timing ID1 (01h if not used)	01	00000001
	40	28	Standard timing ID2 (01h if not used)	01	00000001
	41	29	Standard timing ID2 (01h if not used)	01	00000001
	42	2A	Standard timing ID3 (01h if not used)	01	00000001
	43	2B	Standard timing ID3 (01h if not used)	01	00000001
	44	2C	Standard timing ID4 (01h if not used)	01	00000001
	45	2D	Standard timing ID4 (01h if not used)	01	00000001
	46	2E	Standard timing ID5 (01h if not used)	01	00000001
	47	2F	Standard timing ID5 (01h if not used)	01	00000001
	48	30	Standard timing ID6 (01h if not used)	01	00000001
	49	31	Standard timing ID6 (01h if not used)	01	00000001
	50	32	Standard timing ID7 (01h if not used)	01	00000001
	51	33	Standard timing ID7 (01h if not used)	01	00000001
	52	34	Standard timing ID8 (01h if not used)	01	00000001
	53	35	Standard timing ID8 (01h if not used)	01	00000001

## Product Specification

## APPENDIX A. Enhanced Extended Display Identification Data (EEDID™) 2/3

	Byte (Dec)	Byte (Hex)	Field Name and Comments	Value (Hex)	Value (Bin)
Timing Descriptor #1	54	36	Pixel Clock/10,000 (LSB) 69.3 MHz @ 60 Hz	12	00010010
	55	37	Pixel Clock/10,000 (MSB)	1B	00011011
	56	38	Horizontal Active (HA) (lower 8 bits) 1280 pixels	00	00000000
	57	39	Horizontal Blanking (HB) (lower 8 bits) 124 pixels	7C	01111100
	58	3A	Horizontal Active (HA) / Horizontal Blanking (HB) (upper 4:4bits)	50	01010000
	59	3B	Vertical Active (VA) 800 lines	20	00100000
	60	3C	Vertical Blanking (VB) (DE Blanking typ.for DE only panels) 23 lines	17	00010111
	61	3D	Vertical Active (VA) / Vertical Blanking (VB) (upper 4:4bits)	30	00110000
	62	3E	Horizontal Front Porch in pixels (HF) (lower 8 bits) 48 pixels	30	00110000
	63	3F	Horizontal Sync Pulse Width in pixels (HS) (lower 8 bits) 32 pixels	20	00100000
	64	40	Vertical Front Porch in lines (VF) : Vertical Sync Pulse Width in lines (VS) (lower 4 bits) 4 lines : 7 lines	47	01000111
	65	41	Horizontal Front Porch/ Sync Pulse Width/ Vertical Front Porch/ Sync Pulse Width (upper 2bits)	00	00000000
	66	42	Horizontal Video Image Size (mm) (lower 8 bits) 217 mm	D9	11011001
	67	43	Vertical Video Image Size (mm) (lower 8 bits) 136 mm	88	10001000
	68	44	Horizontal Image Size / Vertical Image Size (upper 4 bits)	00	00000000
	69	45	Horizontal Border = 0 (Zero for Notebook LCD)	00	00000000
70	46	Vertical Border = 0 (Zero for Notebook LCD)	00	00000000	
71	47	Non-Interlace, Normal display, no stereo, Digital Separate ( Vsync_NEG, Hsync_POS ), DE only note : LSB is set to '1' if panel is DE-timing only. H/V can be ignored.	1B	00011011	
Timing Descriptor #2	72	48	Flag	00	00000000
	73	49	Flag	00	00000000
	74	4A	Flag	00	00000000
	75	4B	Data Type Tag (Descriptor Defined by manufacturer)	00	00000000
	76	4C	Flag	00	00000000
	77	4D	Descriptor Defined by manufacturer	00	00000000
	78	4E	Descriptor Defined by manufacturer	00	00000000
	79	4F	Descriptor Defined by manufacturer	00	00000000
	80	50	Descriptor Defined by manufacturer	00	00000000
	81	51	Descriptor Defined by manufacturer	00	00000000
	82	52	Descriptor Defined by manufacturer	00	00000000
	83	53	Descriptor Defined by manufacturer	00	00000000
	84	54	Descriptor Defined by manufacturer	00	00000000
	85	55	Descriptor Defined by manufacturer	00	00000000
	86	56	Descriptor Defined by manufacturer	00	00000000
	87	57	Descriptor Defined by manufacturer	00	00000000
	88	58	Descriptor Defined by manufacturer	00	00000000
	89	59	Descriptor Defined by manufacturer	00	00000000
	Timing Descriptor #3	90	5A	Flag	00
91		5B	Flag	00	00000000
92		5C	Flag	00	00000000
93		5D	Data Type Tag ( Alphanumeric Data String (ASCII String) )	FE	11111110
94		5E	Flag	00	00000000
95		5F	Alphanumeric Data String (ASCII String) L	4C	01001100
96		60	Alphanumeric Data String (ASCII String) G	47	01000111
97		61	Alphanumeric Data String (ASCII String)	20	00100000
98		62	Alphanumeric Data String (ASCII String) D	44	01000100
99		63	Alphanumeric Data String (ASCII String) i	69	01101001
100		64	Alphanumeric Data String (ASCII String) s	73	01110011
101		65	Alphanumeric Data String (ASCII String) p	70	01110000
102		66	Alphanumeric Data String (ASCII String) l	6C	01101100
103		67	Alphanumeric Data String (ASCII String) a	61	01100001
104		68	Alphanumeric Data String (ASCII String) y	79	01111001
105		69	Manufacturer P/N(If<13 char--> 0Ah, then terminate with ASC II code 0Ah,set remaining char = 20h)	0A	00001010
106		6A	Manufacturer P/N(If<13 char--> 0Ah, then terminate with ASC II code 0Ah,set remaining char = 20h)	20	00100000
107		6B	Manufacturer P/N(If<13 char--> 0Ah, then terminate with ASC II code 0Ah,set remaining char = 20h)	20	00100000

## Product Specification

**APPENDIX A. Enhanced Extended Display Identification Data (EEDID™) 3/3**

	Byte (Dec)	Byte (Hex)	Field Name and Comments	Value (Hex)	Value (Bin)
<i>Timing Descriptor #4</i>	108	6C	Flag	00	00000000
	109	6D	Flag	00	00000000
	110	6E	Flag	00	00000000
	111	6F	Data Type Tag ( Alphanumeric Data String (ASCII String) )	FE	11111110
	112	70	Flag	00	00000000
	113	71	Alphanumeric Data String (ASCII String) L	4C	01001100
	114	72	Alphanumeric Data String (ASCII String) P	50	01010000
	115	73	Alphanumeric Data String (ASCII String) 1	31	00110001
	116	74	Alphanumeric Data String (ASCII String) 0	30	00110000
	117	75	Alphanumeric Data String (ASCII String) 1	31	00110001
	118	76	Alphanumeric Data String (ASCII String) W	57	01010111
	119	77	Alphanumeric Data String (ASCII String) X	58	01011000
	120	78	Alphanumeric Data String (ASCII String) 2	32	00110010
	121	79	Alphanumeric Data String (ASCII String) -	2D	00101101
	122	7A	Alphanumeric Data String (ASCII String) S	53	01010011
123	7B	Alphanumeric Data String (ASCII String) L	4C	01001100	
124	7C	Alphanumeric Data String (ASCII String) A	41	01000001	
125	7D	Alphanumeric Data String (ASCII String) 1	31	00110001	
<i>Check</i>	126	7E	Extension flag (# of optional 128 panel ID extension block to follow, Typ = 0)	00	00000000
	127	7F	Check Sum (The 1-byte sum of all 128 bytes in this panel ID block shall = 0)	2C	00101100