

**Product Specification**

# SPECIFICATION FOR APPROVAL

(◆) Preliminary Specification  
( ) Final Specification

|       |                           |
|-------|---------------------------|
| Title | <b>22" WSXGA+ TFT LCD</b> |
|-------|---------------------------|

|       |    |
|-------|----|
| BUYER | HP |
| MODEL |    |

|          |                      |
|----------|----------------------|
| SUPPLIER | LG Display Co., Ltd. |
| *MODEL   | LM220WE1             |
| SUFFIX   | TLE1                 |

\*When you obtain standard approval, please use the above model name without suffix

| SIGNATURE | DATE  |
|-----------|-------|
| /         | _____ |
| /         | _____ |
| /         | _____ |

| APPROVED BY            | DATE  |
|------------------------|-------|
| K.G. Park / G.Manager  | _____ |
| <b>REVIEWED BY</b>     |       |
| S.J. So / Manager [C]  | _____ |
| S.Y. An / Manager [M]  | _____ |
| H.S. Lee / Manager [P] | _____ |
| <b>PREPARED BY</b>     |       |
| K.H. Lee / Engineer    | _____ |

Please return 1 copy for your confirmation  
With your signature and comments.

**Product Engineering Dept.  
LG Display Co., Ltd**

**Product Specification**
**Contents**

| No | ITEM  | Page |
|----|---|------|
|    | COVER                                       | 1    |
|    | CONTENTS                                    | 2    |
|    | RECORD OF REVISIONS                         | 3    |
| 1  | GENERAL DESCRIPTION                         | 4    |
| 2  | ABSOLUTE MAXIMUM RATINGS                    | 5    |
| 3  | ELECTRICAL SPECIFICATIONS                   | 6    |
|    | 1) ELECTRICAL CHARACTERISTICS               | 6    |
|    | 2) INTERFACE CONNECTIONS                    | 9    |
|    | 3) LVDS characteristics                     | 12   |
|    | 4) SIGNAL TIMING SPECIFICATIONS             | 15   |
|    | 5) SIGNAL TIMING WAVEFORMS                  | 16   |
|    | 6) COLOR INPUT DATA REFERNECE               | 17   |
|    | 7) POWER SEQUENCE                           | 18   |
|    | 8) POWER DIP CONDITION                      | 19   |
| 4  | OPTICAL SFECIFICATIONS                      | 20   |
| 5  | MECHANICAL CHARACTERISTICS                  | 25   |
| 6  | RELIABILITY                                 | 28   |
| 7  | INTERNATIONAL STANDARDS                     | 29   |
|    | 1) SAFETY                                   | 29   |
|    | 2) EMC                                      | 29   |
| 8  | PACKING                                     | 30   |
|    | 1) DESIGNATION OF LOT MARK                  | 30   |
|    | 2) PACKING FORM                             | 30   |
| 9  | PRECAUTIONS                                 | 31   |
|    | 1) MOUNTING PRECAUTIONS                     | 31   |
|    | 2) OPERATING PRECAUTIONS                    | 31   |
|    | 3) ELECTROSTATIC DISCHARGE CONTROL          | 32   |
|    | 4) PRECAUTIONS FOR STRONG LIGHT EXPOSURE    | 32   |
|    | 5) STROAGE                                  | 32   |
|    | 6) HANDLING PRECAUTIONS FOR PROTECTION FILM | 32   |

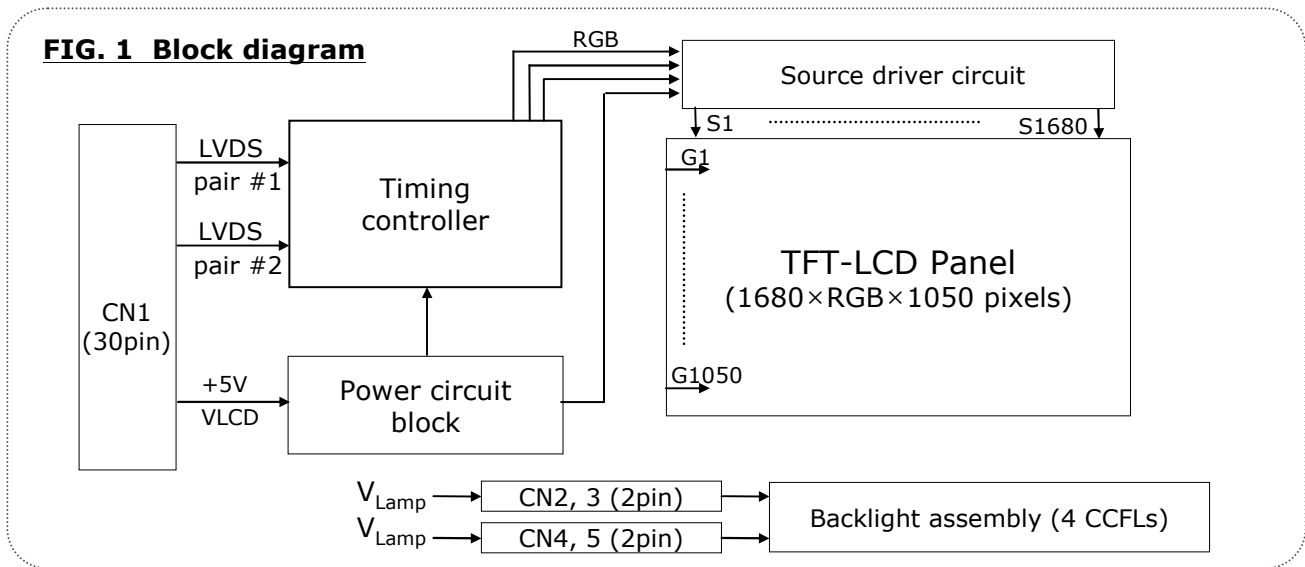
**Product Specification****Record of revisions**

| <b>Revision No</b> | <b>Date</b>    | <b>Page</b> | <b>Description</b>                             |
|--------------------|----------------|-------------|--|
| Ver. 0.0           | Apr., 15, 2008 |             | First Draft, <b>Preliminary Specifications</b> |
|                    |                |             |  |

**Product Specification**

**1. General description**

LM220WE1-TLE1 is a Color Active Matrix Liquid Crystal Display with an integral Cold Cathode Fluorescent Lamp(CCFL) backlight system. The matrix employs a-Si Thin Film Transistor as the active element. It is a transmissive type display operating in the normally white mode. It has a 22 inch diagonally measured active display area with WSXGA+ resolution (1050 vertical by 1680 horizontal pixel array) Each pixel is divided into Red, Green and Blue sub-pixels or dots which are arranged in vertical stripes. Gray scale or the brightness of the sub-pixel color is determined with a 8-bit gray scale signal for each dot, thus, presenting a palette of more than 16.7M colors with Advanced-FRC(Frame Rate Control). It has been designed to apply the interface method that enables low power, high speed, low EMI. FPD Link or compatible must be used as a LVDS(Low Voltage Differential Signaling) chip. It is intended to support applications where thin thickness, wide viewing angle, low power are critical factors and graphic displays are important. In combination with the vertical arrangement of the sub-pixels, the LM220WE1-TLE1 characteristics provide an excellent flat panel display for office automation products such as monitors.



**General features**

|                        |  |
|------------------------|--|
| Active screen size     | 21.995 inches(558.673mm) diagonal (Aspect ratio 16:10)                     |
| Outline Dimension      | 493.7(H) x 320.1 (V) x 16.5(D) mm (Typ.)                                   |
| Pixel Pitch            | 0.282mm x 0.282mm  |
| Pixel Format           | 1680 horizontal By 1050 vertical Pixels. RGB stripe arrangement            |
| Interface              | LVDS 2Port   |
| Color depth            | 16.7M colors   |
| Luminance, white       | 300 cd/m <sup>2</sup> ( Center 1Point, typ)                                |
| Viewing Angle (CR>10)  | R/L 170(Typ.), U/D 160(Typ.)   |
| Power Consumption      | Total 29.4W (Typ.), (4.5W@V <sub>LCD</sub> , 24.9W@I <sub>BL</sub> =7.5mA) |
| Weight                 | 2,350g (Typ.)  |
| Display operating mode | Transmissive mode, normally White  |
| Surface treatments     | Hard coating (3H), Anti-glare treatment of the front polarizer             |

**Product Specification**

**2. Absolute maximum ratings**

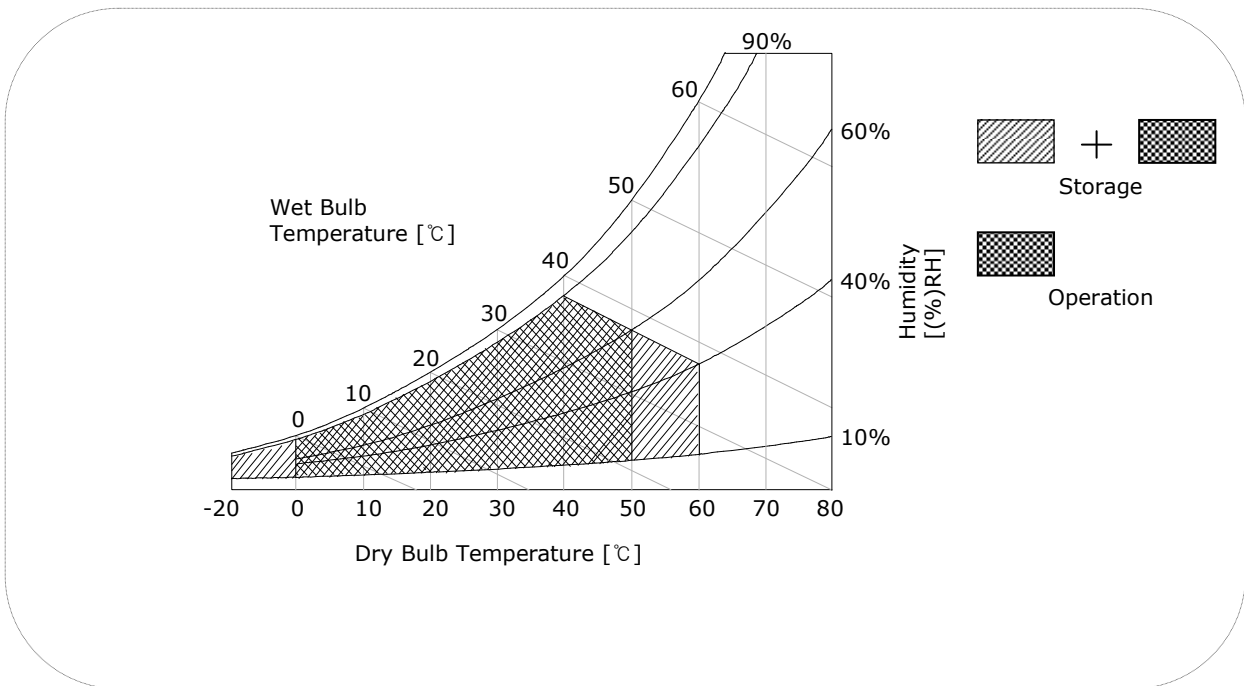
The following are maximum values which, if exceeded, may cause faulty operation or damage to the unit.

**Table 1. Absolute maximum ratings**

| Parameter                  | Symbol    | Values |      | Units | Notes   |
|----------------------------|-----------|--------|------|-------|---------|
|                            |           | Min    | Max  |       |         |
| Power Supply Input Voltage | $V_{LCD}$ | -0.3   | +6.0 | Vdc   | At 25°C |
| Operating Temperature      | $T_{OP}$  | 0      | 50   | °C    | 1       |
| Storage Temperature        | $T_{ST}$  | -20    | 60   | °C    |         |
| Operating Ambient Humidity | $H_{OP}$  | 10     | 90   | %RH   |         |
| Storage Humidity           | $H_{ST}$  | 10     | 90   | %RH   |         |

Note : 1. Temperature and relative humidity range are shown in the figure below.  
Wet bulb temperature should be 39 °C Max, and no condensation of water.

**FIG. 2 Temperature and relative humidity**



**Product Specification**

**3. Electrical specifications**

**3-1. Electrical characteristics**

It requires two power inputs. One is employed to power the LCD electronics and to drive the TFT array and liquid crystal. The second input power for the CCFL/Backlight, is typically generated by an inverter. The inverter is an external unit to the LCDs.

**Table 2. Electrical characteristics**

| Parameter                     | Symbol           | Values |      |      | Unit | Notes |
|-------------------------------|------------------|--------|------|------|------|-------|
|                               |                  | Min    | Typ  | Max  |      |       |
| MODULE :                      |                  |        |      |      |      |       |
| Power Supply Input Voltage    | $V_{LCD}$        | 4.5    | 5.0  | 5.5  | Vdc  |       |
| Permissive Power Input Ripple | $V_{LCD}$        | -      | -    | 0.2  | V    | 3     |
| Power Supply Input Current    | $I_{LCD-MOSAIC}$ | -      | 900  | 1040 | mA   | 1     |
|                               | $I_{LCD-BLACK}$  | -      | 1100 | 1270 | mA   | 2     |
| Power Consumption             | $P_{LCD}$        | -      | 4.5  | 5.2  | Watt | 1     |
| Inrush current                | $I_{RUSH}$       | -      | -    | 3.0  | A    | 3     |

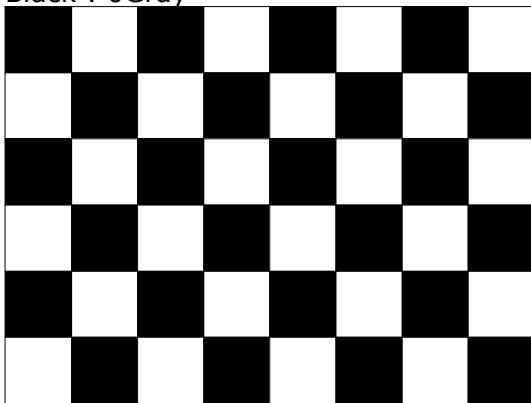
Note :

1. The specified current and power consumption are under the  $V_{LCD}=5.0V$ ,  $25 \pm 2^{\circ}C$ ,  $f_v=60Hz$  condition whereas mosaic pattern(8 x 6) is displayed and  $f_v$  is the frame frequency.
2. The current is specified at the maximum current pattern.
3. Permissive power ripple should be measured under  $VCC=5.0V$ ,  $25^{\circ}C$ ,  $f_v$  (frame frequency)=75Hz condition and At that time, we recommend the bandwidth configuration of oscilloscope is to be under 20MHz.
4. The duration of rush current is about 2ms and rising time of power Input is  $500\mu s \pm 20\%$ .

**FIG.3 pattern for Electrical characteristics**

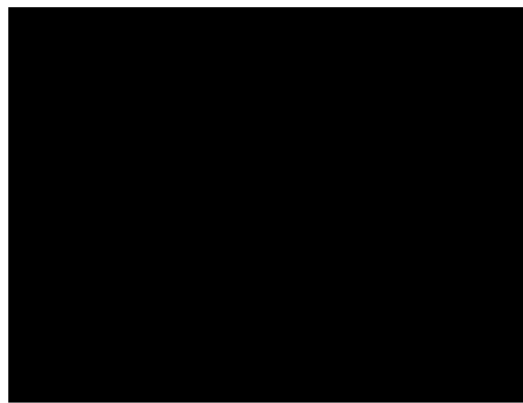
power consumption measurement

White : 255Gray  
Black : 0Gray



Mosaic Pattern(8 x 6)

power input ripple



Full Black Pattern

**Product Specification**
**Table 3. Electrical characteristics**

| Parameter                    | Symbol   | Values         |                |                 | Unit       | Notes |
|------------------------------|----------|----------------|----------------|-----------------|------------|-------|
|                              |          | Min            | Typ            | Max             |            |       |
| <b>LAMP :</b>                |          |                |                |                 |            |       |
| Operating Voltage            | $V_{BL}$ | 810<br>(8.0mA) | 830<br>(7.5mA) | 1000<br>(3.0mA) | $V_{RMS}$  | 1, 2  |
| Operating Current            | $I_{BL}$ | 3.0            | 7.5            | 8.0             | $mA_{RMS}$ | 1     |
| Established Starting Voltage | $V_S$    |                |                |                 |            | 1, 3  |
|                              | at 25 °C |                |                | 1,250           | $V_{RMS}$  |       |
|                              | at 0 °C  |                |                | 1,550           | $V_{RMS}$  |       |
| Operating Frequency          | $f_{BL}$ | 40             | 60             | 80              | kHz        | 4     |
| Discharge Stabilization Time | $T_S$    | -              | -              | 3               | Min        | 1, 5  |
| Power Consumption            | $P_{BL}$ |                | 24.9           | 27.4            | Watt       | 6     |
| Life Time                    |          | 50,000         | -              |                 | Hrs        | 1, 7  |

**Note :**

The design of the inverter must have specifications for the lamp in LCD Assembly.

The performance of the Lamp in LCM, for example life time or brightness, is extremely influenced by the characteristics of the DC-AC inverter. So all the parameters of an inverter should be carefully designed so as not to produce too much leakage current from high-voltage output of the inverter.

When you design or order the inverter, please make sure unwanted lighting caused by the mismatch of the lamp and the inverter (no lighting, flicker, etc) never occurs. When you confirm it, the LCD-Assembly should be operated in the same condition as installed in you instrument.

- ※ Do not attach a conducting tape to lamp connecting wire. If the lamp wire attach to a conducting tape, TFT-LCD Module has a low luminance and the inverter has abnormal action.  
Because leakage current is occurred between lamp wire and conducting tape.

1. Specified values are for a single lamp.
2. Operating voltage is measured at  $25 \pm 2^\circ\text{C}$ . The variance of the voltage is  $\pm 10\%$ .
3. The voltage above  $V_S$  should be applied to the lamps for more than 1 second for start-up.  
(Inverter open voltage must be more than lamp starting voltage.)

Otherwise, the lamps may not be turned on. The used lamp current is the lamp typical current.

4. Lamp frequency may produce interface with horizontal synchronous frequency and as a result this may cause beat on the display. Therefore lamp frequency shall be as away possible from the horizontal synchronous frequency and from its harmonics in order to prevent interference.
5. Let's define the brightness of the lamp after being lighted for 5 minutes as 100%.  
 $T_S$  is the time required for the brightness of the center of the lamp to be not less than 95%.
6. The lamp power consumption shown above does not include loss of external inverter.  
The used lamp current is the lamp typical current. ( $P_{BL} = V_{BL} \times I_{BL} \times N_{Lamp}$  )
7. The life is determined as the time at which brightness of the lamp is 50% compared to that of initial value at the typical lamp current on condition of continuous operating at  $25 \pm 2^\circ\text{C}$ .

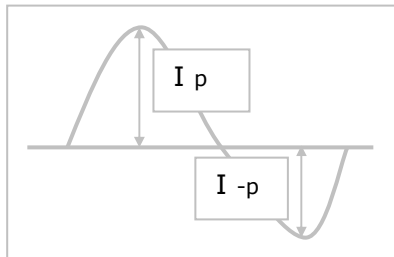
**Product Specification**

Note :

8. The output of the inverter must have symmetrical(negative and positive) voltage waveform and symmetrical current waveform (Unsymmetrical ratio is less than 10%). Please do not use the inverter which has unsymmetrical voltage and unsymmetrical current and spike wave. Requirements for a system inverter design, which is intended to have a better display performance, a better power efficiency and a more reliable lamp, are following. It shall help increase the lamp lifetime and reduce leakage current.

- a. The asymmetry rate of the inverter waveform should be less than 10%.
- b. The distortion rate of the waveform should be within  $\sqrt{2} \pm 10\%$ .

\* Inverter output waveform had better be more similar to ideal sine wave.



\* Asymmetry rate:  

$$| I_p - I_{-p} | / I_{rms} \times 100\%$$
 \* Distortion rate  

$$I_p \text{ (or } I_{-p}) / I_{rms}$$

- 9. The inverter which is combined with this LCM, is highly recommended to connect coupling(ballast) condenser at the high voltage output side. When you use the inverter which has not coupling(ballast) condenser, it may cause abnormal lamp lighting because of biased mercury as time goes.
- 10. In case of edgy type back light with over 4 parallel lamps, input current and voltage wave form should be synchronized



## Product Specification

### 3-2. Interface connections

LCD connector(CN1) : 187024-30091 (P-TWO) , IS100-L30B-C23 (UJU)

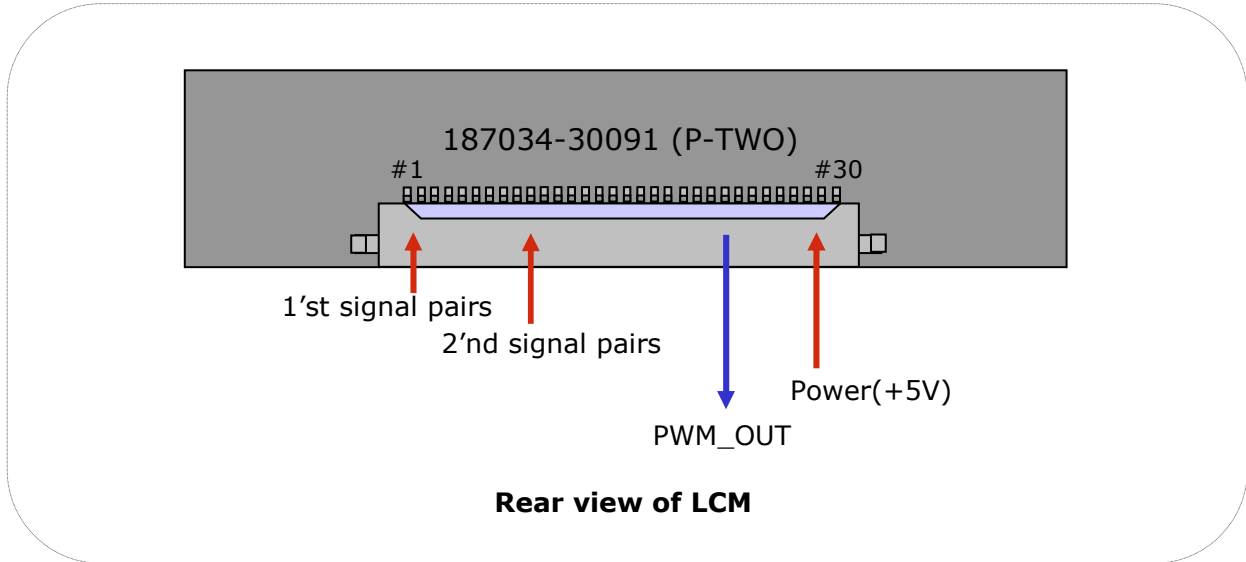
Mating connector : FI-X30H and FI-X30HL (JAE) or Equivalent

**Table 4. Module connector(CN1) pin configuration**

| Pin No | Symbol           | Description   |                     |
|--------|------------------|---|---------------------|
| 1      | RX00-            | Minus signal of 1st channel 0 (LVDS)                  | } First Pixel data  |
| 2      | RX00+            | Plus signal of 1st channel 0 (LVDS)                   |                     |
| 3      | RX01-            | Minus signal of 1st channel 1 (LVDS)                  |                     |
| 4      | RX01+            | Plus signal of 1st channel 1 (LVDS)                   |                     |
| 5      | RX02-            | Minus signal of 1st channel 2 (LVDS)                  |                     |
| 6      | RX02+            | Plus signal of 1st channel 2 (LVDS)                   |                     |
| 7      | GND              | Ground  |                     |
| 8      | RXOC-            | Minus signal of 1st clock channel (LVDS)              | } Second Pixel data |
| 9      | RXOC+            | Plus signal of 1st clock channel (LVDS)               |                     |
| 10     | RX03-            | Minus signal of 1st channel 3 (LVDS)                  |                     |
| 11     | RX03+            | Plus signal of 1st channel 3 (LVDS)                   |                     |
| 12     | RXE0-            | Minus signal of 2nd channel 0 (LVDS)                  |                     |
| 13     | RXE0+            | Plus signal of 2nd channel 0 (LVDS)                   |                     |
| 14     | GND              | Ground  |                     |
| 15     | RXE1-            | Minus signal of 2nd channel 1 (LVDS)                  | } Second Pixel data |
| 16     | RXE1+            | Plus signal of 2nd channel 1 (LVDS)                   |                     |
| 17     | GND              | Ground  |                     |
| 18     | RXE2-            | Minus signal of 2nd channel 2 (LVDS)                  |                     |
| 19     | RXE2+            | Plus signal of 2nd channel 2 (LVDS)                   |                     |
| 20     | RXEC-            | Minus signal of 2nd clock channel (LVDS)              |                     |
| 21     | RXEC+            | Plus signal of 2nd clock channel (LVDS)               |                     |
| 22     | RXE3-            | Minus signal of 2nd channel 3 (LVDS)                  | } Second Pixel data |
| 23     | RXE3+            | Plus signal of 2nd channel 3 (LVDS)                   |                     |
| 24     | GND              | Ground  |                     |
| 25     | NC               | No Connection (For LCD internal use only.)            |                     |
| 26     | NC               | No Connection (For LCD internal use only.)            |                     |
| 27     | PWM_OUT          | Reference signal for burst frequency inverter control |                     |
| 28     | V <sub>LCD</sub> | Power Supply (5.0V)                                   |                     |
| 29     | V <sub>LCD</sub> | Power Supply (5.0V)                                   |                     |
| 30     | V <sub>LCD</sub> | Power Supply (5.0V)                                   |                     |

**Product Specification**

**FIG. 4 Connector diagram**



**Note:**

1. NC: No Connection.
2. All GND(ground) pins should be connected together and to Vss which should also be connected to the LCD's metal frame.
3. All  $V_{LCD}$  (power input) pins should be connected together.
4. Input Level of LVDS signal is based on the IEA 664 Standard.
5. PWM\_OUT is a reference signal for inverter control.  
This PWM signal is synchronized with vertical frequency.  
Its frequency is 3 times of vertical frequency, and its duty ratio is 50%.  
If the system don't use this pin, do not connect.

**Product Specification**

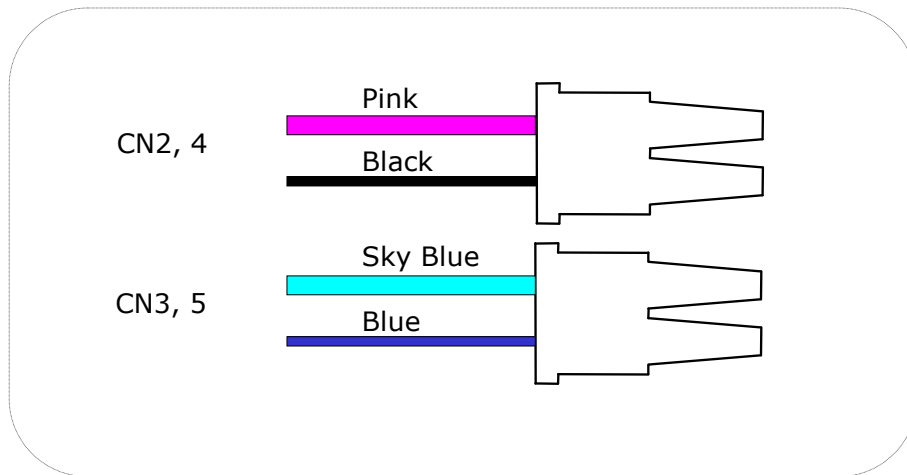
The backlight interface connector is a model 35001HS-02LD manufactured by YEONHO. The mating connector part number are 35001WR-02L(2pin) or equivalent. The pin configuration for the connector is shown in the table below.

**Table 5. Backlight connector pin configuration(CN2,CN3,CN4,CN5)**

| Pin | Symbol | Description           | Notes |
|-----|--------|-----------------------|-------|
| 1   | HV     | High Voltage for Lamp | 1     |
| 2   | LV     | Low Voltage for Lamp  | 2     |

- Note :
1. The high voltage power terminal is colored Pink, Sky blue.
  2. The low voltage pin color is Black, Blue.
  3. The backlight ground should be common with LCD metal frame.

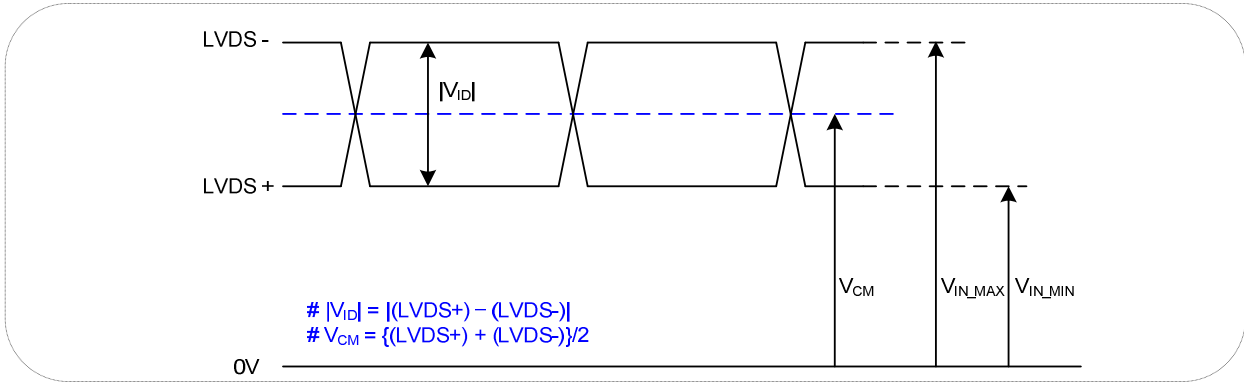
**FIG. 5 Backlight connector view**



**Product Specification**

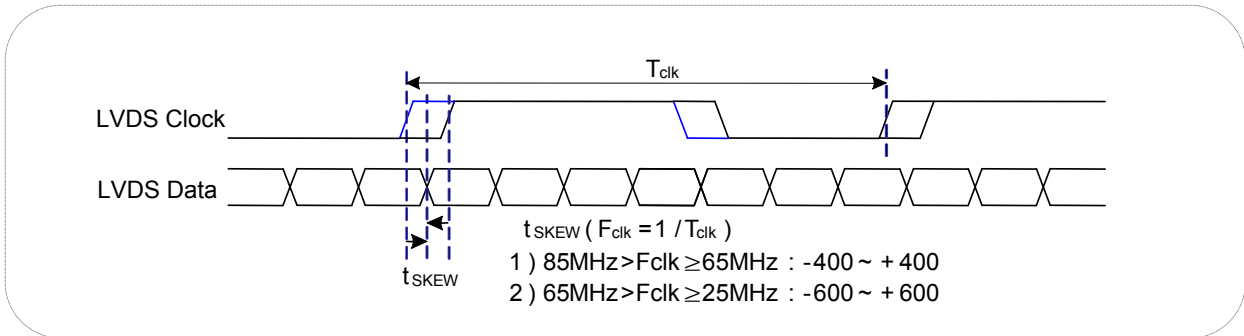
**3-3. LVDS characteristics**

3-3-1. DC Specification



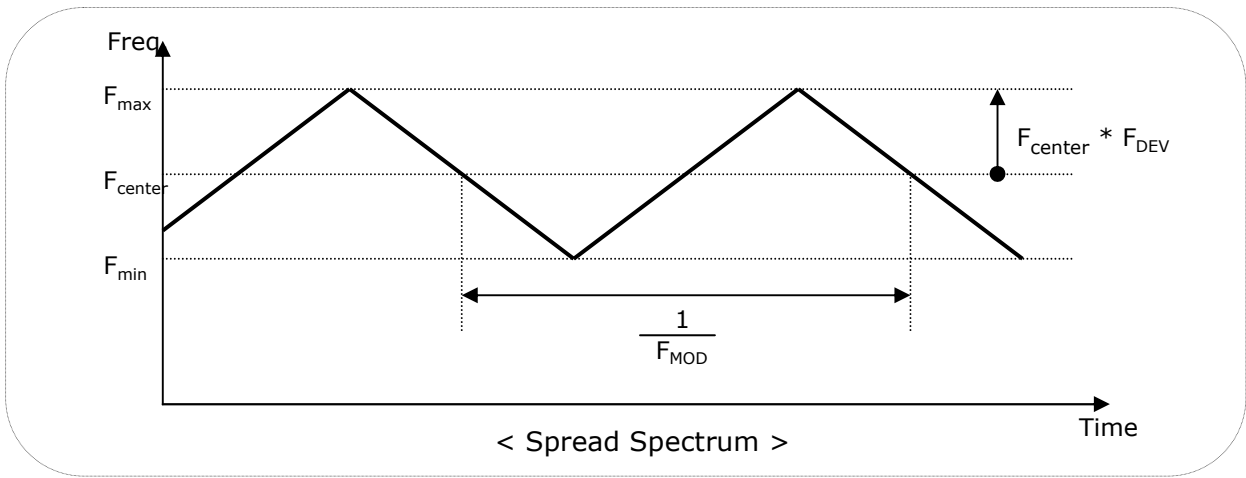
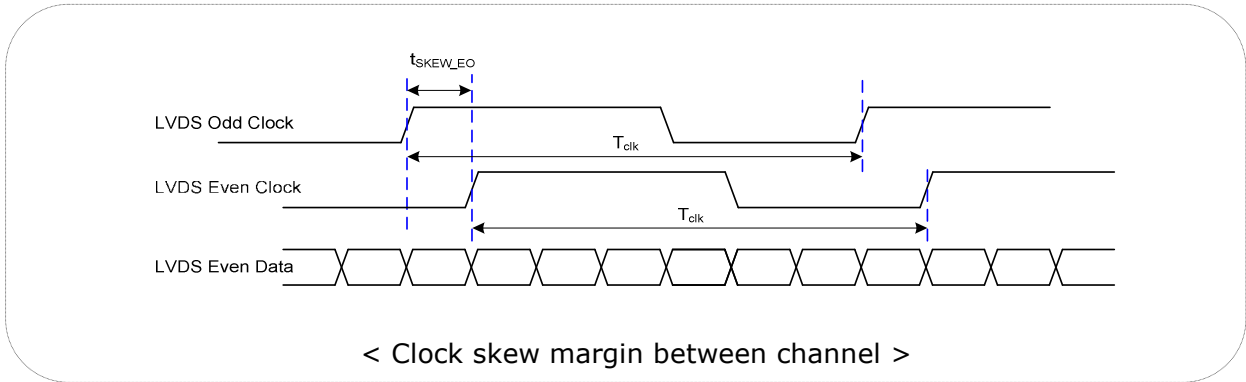
| Description               | Symbol     | Min | Max | Unit | Notes |
|---------------------------|------------|-----|-----|------|-------|
| LVDS Differential Voltage | $ V_{ID} $ | 200 | 600 | mV   | -     |
| LVDS Common mode Voltage  | $V_{CM}$   | 0.6 | 1.8 | V    | -     |
| LVDS Input Voltage Range  | $V_{IN}$   | 0.3 | 2.1 | V    | -     |

3-3-2. AC Specification

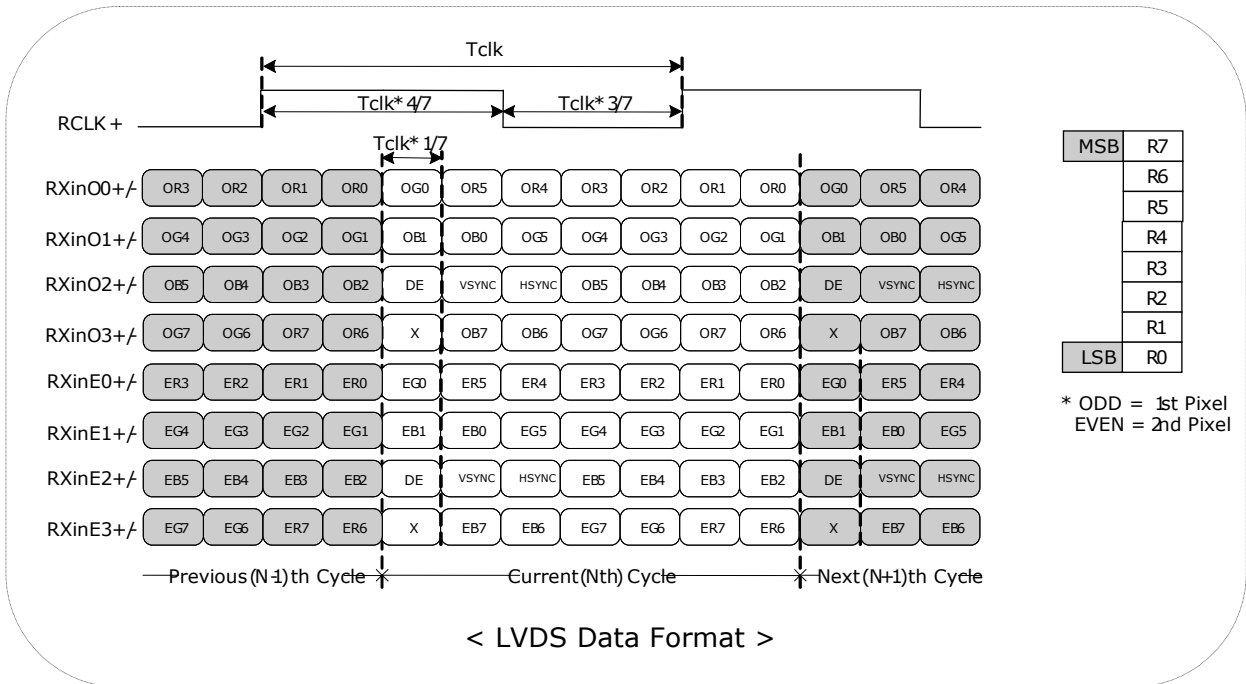


| Description  | Symbol         | Min   | Max   | Unit      | Notes                |
|--|----------------|-------|-------|-----------|----------------------|
| LVDS Clock to Data Skew Margin                         | $t_{SKEW}$     | - 400 | + 400 | ps        | 85MHz > Fclk ≥ 65MHz |
|  | $t_{SKEW}$     | - 600 | + 600 | ps        | 65MHz > Fclk ≥ 25MHz |
| LVDS Clock to Clock Skew Margin (Even to Odd)          | $t_{SKEW\_EO}$ | - 1/7 | + 1/7 | $T_{clk}$ | -                    |
| Maximum deviation of input clock frequency during SSC  | $F_{DEV}$      | -     | ± 3   | %         | -                    |
| Maximum modulation frequency of input clock during SSC | $F_{MOD}$      | -     | 200   | KHz       | -                    |

**Product Specification**



3-3-3. LVDS Data format



**Product Specification**
**Table 6. Required signal assignment for Flat Link(NS:DS90CF383) transmitter**

| Pin # | Pin Name | Require Signal             | Pin # | Pin Name               | Require Signal                           |
|-------|----------|----------------------------|-------|------------------------|--|
| 1     | VCC      | Power Supply for TTL Input | 29    | GND                    | Ground pin for TTL                       |
| 2     | D5       | TTL Input (R7)             | 30    | D26                    | TTL Input (DE)                           |
| 3     | D6       | TTL Input (R5)             | 31    | T <sub>x</sub> CLKIN   | TTL Level clock Input                    |
| 4     | D7       | TTL Input (G0)             | 32    | PWR DWN                | Power Down Input                         |
| 5     | GND      | Ground pin for TTL         | 33    | PLL GND                | Ground pin for PLL                       |
| 6     | D8       | TTL Input (G1)             | 34    | PLL VCC                | Power Supply for PLL                     |
| 7     | D9       | TTL Input (G2)             | 35    | PLL GND                | Ground pin for PLL                       |
| 8     | D10      | TTL Input (G6)             | 36    | LVDS GND               | Ground pin for LVDS                      |
| 9     | VCC      | Power Supply for TTL Input | 37    | TxOUT3+                | Positive LVDS differential data output 3 |
| 10    | D11      | TTL Input (G7)             | 38    | TxOUT3-                | Negative LVDS differential data output 3 |
| 11    | D12      | TTL Input (G3)             | 39    | T <sub>x</sub> CLKOUT+ | Positive LVDS differential clock output  |
| 12    | D13      | TTL Input (G4)             | 40    | T <sub>x</sub> CLKOUT- | Negative LVDS differential clock output  |
| 13    | GND      | Ground pin for TTL         | 41    | T <sub>x</sub> OUT2+   | Positive LVDS differential data output 2 |
| 14    | D14      | TTL Input (G5)             | 42    | T <sub>x</sub> OUT2-   | Negative LVDS differential data output 2 |
| 15    | D15      | TTL Input (B0)             | 43    | LVDS GND               | Ground pin for LVDS                      |
| 16    | D16      | TTL Input (B6)             | 44    | LVDS VCC               | Power Supply for LVDS                    |
| 17    | VCC      | Power Supply for TTL Input | 45    | T <sub>x</sub> OUT1+   | Positive LVDS differential data output 1 |
| 18    | D17      | TTL Input (B7)             | 46    | T <sub>x</sub> OUT1-   | Negative LVDS differential data output 1 |
| 19    | D18      | TTL Input (B1)             | 47    | T <sub>x</sub> OUT0+   | Positive LVDS differential data output 0 |
| 20    | D19      | TTL Input (B2)             | 48    | T <sub>x</sub> OUT0-   | Negative LVDS differential data output 0 |
| 21    | GND      | Ground pin for TTL Input   | 49    | LVDS GND               | Ground pin for LVDS                      |
| 22    | D20      | TTL Input (B3)             | 50    | D27                    | TTL Input (R6)                           |
| 23    | D21      | TTL Input (B4)             | 51    | D0                     | TTL Input (R0)                           |
| 24    | D22      | TTL Input (B5)             | 52    | D1                     | TTL Input (R1)                           |
| 25    | D23      | TTL Input (RSVD)           | 53    | GND                    | Ground pin for TTL                       |
| 26    | VCC      | Power Supply for TTL Input | 54    | D2                     | TTL Input (R2)                           |
| 27    | D24      | TTL Input (HSYNC)          | 55    | D3                     | TTL Input (R3)                           |
| 28    | D25      | TTL Input (VSYNC)          | 56    | D4                     | TTL Input (R4)                           |

Notes : 1. Refer to LVDS Transmitter Data Sheet for detail descriptions.  
 2. 7 means MSB and 0 means LSB at R,G,B pixel data

**Product Specification**
**3-4. Signal timing specifications**

This is the signal timing required at the input of the User connector. All of the interface signal timing should be satisfied with the following specifications for its proper operation.

**Table 7. Timing table**

| Parameter           |                  | Symbol           | Min. | Typ. | Max. | Unit             | Notes                           |
|---------------------|------------------|------------------|------|------|------|------------------|---------------------------------|
| D <sub>CLK</sub>    | Period           | t <sub>CLK</sub> | 13.4 | 16.8 | 20.1 | ns               | Pixel frequency<br>: Typ.119MHz |
|                     | Frequency        | f <sub>CLK</sub> | 49.7 | 59.6 | 74.5 | MHz              |                                 |
| Horizontal          | Horizontal Valid | t <sub>HV</sub>  | 840  | 840  | 840  | t <sub>CLK</sub> |                                 |
|                     | H Period Total   | t <sub>HP</sub>  | 880  | 920  | 1200 |                  |                                 |
|                     | Hsync Frequency  | f <sub>H</sub>   | 54.0 | 64.8 | 81.0 | kHz              |                                 |
| Vertical            | Vertical Valid   | t <sub>VV</sub>  | 1050 | 1050 | 1050 | t <sub>HP</sub>  |                                 |
|                     | V Period Total   | t <sub>VP</sub>  | 1060 | 1080 | 1300 |                  |                                 |
|                     | Vsync Frequency  | f <sub>V</sub>   | 50   | 60   | 75   | Hz               |                                 |
| DE<br>(Data Enable) | DE Setup Time    | t <sub>SI</sub>  | 4    | -    | -    | ns               | For D <sub>CLK</sub>            |
|                     | DE Hold Time     | t <sub>HI</sub>  | 4    | -    | -    |                  |                                 |
| Data                | Data Setup Time  | t <sub>SD</sub>  | 4    | -    | -    | ns               | For D <sub>CLK</sub>            |
|                     | Data Hold Time   | t <sub>HD</sub>  | 4    | -    | -    |                  |                                 |

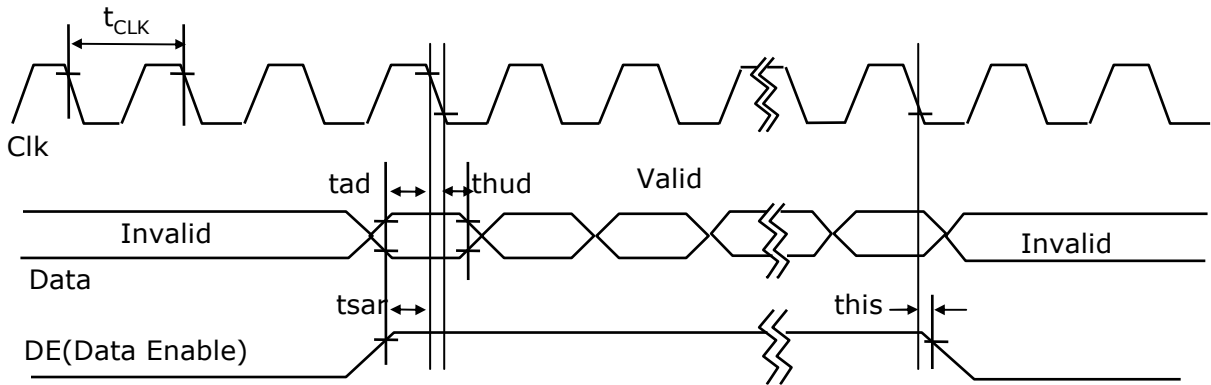
Note:

1. DE Only mode operation. The input of Hsync & Vsync signal does not have an effect on LCD normal operation.
2. The performance of the electro-optical characteristics may be influenced by variance of the vertical refresh rates.
3. Horizontal period should be even.

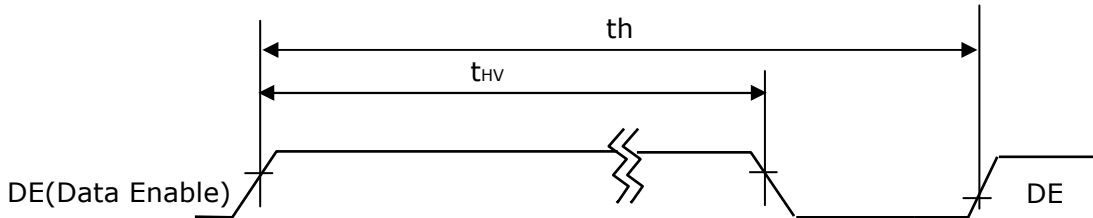
**Product Specification**

**3-5. Signal timing waveforms**

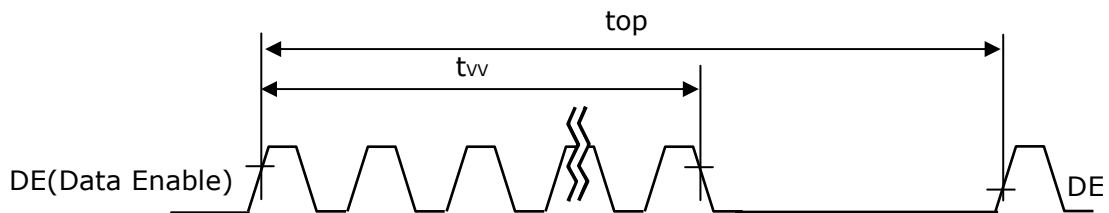
1. D<sub>CLK</sub>, DE, DATA waveforms



2. Horizontal waveform



3. Vertical waveform





**Product Specification**
**3-6. Color input data reference**

The brightness of each primary color (red, green and blue) is based on the 8bit gray scale data input for the color ; the higher the binary input, the brighter the color. The table below provides a reference for color versus data input.

**Table 8. Color data reference**

| Color       |                  | Input Color Data |    |    |    |     |    |    |    |       |    |    |    |     |    |    |    |      |    |    |    |     |    |    |    |
|-------------|------------------|------------------|----|----|----|-----|----|----|----|-------|----|----|----|-----|----|----|----|------|----|----|----|-----|----|----|----|
|             |                  | Red              |    |    |    |     |    |    |    | Green |    |    |    |     |    |    |    | Blue |    |    |    |     |    |    |    |
|             |                  | MSB              |    |    |    | LSB |    |    |    | MSB   |    |    |    | LSB |    |    |    | MSB  |    |    |    | LSB |    |    |    |
|             |                  | R7               | R6 | R5 | R4 | R3  | R2 | R1 | R0 | G7    | G6 | G5 | G4 | G3  | G2 | G1 | G0 | B7   | B6 | B5 | B4 | B3  | B2 | B1 | B0 |
| Basic Color | Black            | 0                | 0  | 0  | 0  | 0   | 0  | 0  | 0  | 0     | 0  | 0  | 0  | 0   | 0  | 0  | 0  | 0    | 0  | 0  | 0  | 0   | 0  | 0  | 0  |
|             | Red (255)        | 1                | 1  | 1  | 1  | 1   | 1  | 1  | 1  | 0     | 0  | 0  | 0  | 0   | 0  | 0  | 0  | 0    | 0  | 0  | 0  | 0   | 0  | 0  | 0  |
|             | Green (255)      | 0                | 0  | 0  | 0  | 0   | 0  | 0  | 0  | 1     | 1  | 1  | 1  | 1   | 1  | 1  | 1  | 0    | 0  | 0  | 0  | 0   | 0  | 0  | 0  |
|             | Blue (255)       | 0                | 0  | 0  | 0  | 0   | 0  | 0  | 0  | 0     | 0  | 0  | 0  | 0   | 0  | 0  | 0  | 1    | 1  | 1  | 1  | 1   | 1  | 1  | 1  |
|             | Cyan             | 0                | 0  | 0  | 0  | 0   | 0  | 0  | 0  | 1     | 1  | 1  | 1  | 1   | 1  | 1  | 1  | 1    | 1  | 1  | 1  | 1   | 1  | 1  | 1  |
|             | Magenta          | 1                | 1  | 1  | 1  | 1   | 1  | 1  | 1  | 0     | 0  | 0  | 0  | 0   | 0  | 0  | 0  | 1    | 1  | 1  | 1  | 1   | 1  | 1  | 1  |
|             | Yellow           | 1                | 1  | 1  | 1  | 1   | 1  | 1  | 1  | 1     | 1  | 1  | 1  | 1   | 1  | 1  | 1  | 0    | 0  | 0  | 0  | 0   | 0  | 0  | 0  |
|             | White            | 1                | 1  | 1  | 1  | 1   | 1  | 1  | 1  | 1     | 1  | 1  | 1  | 1   | 1  | 1  | 1  | 1    | 1  | 1  | 1  | 1   | 1  | 1  | 1  |
| Red         | Red(000) Dark    | 0                | 0  | 0  | 0  | 0   | 0  | 0  | 0  | 0     | 0  | 0  | 0  | 0   | 0  | 0  | 0  | 0    | 0  | 0  | 0  | 0   | 0  | 0  | 0  |
|             | Red(001)         | 0                | 0  | 0  | 0  | 0   | 0  | 0  | 1  | 0     | 0  | 0  | 0  | 0   | 0  | 0  | 0  | 0    | 0  | 0  | 0  | 0   | 0  | 0  | 0  |
|             | Red(002)         | 0                | 0  | 0  | 0  | 0   | 0  | 1  | 0  | 0     | 0  | 0  | 0  | 0   | 0  | 0  | 0  | 0    | 0  | 0  | 0  | 0   | 0  | 0  | 0  |
|             | -----            | -                | -  | -  | -  | -   | -  | -  | -  | -     | -  | -  | -  | -   | -  | -  | -  | -    | -  | -  | -  | -   | -  | -  | -  |
|             | -----            | -                | -  | -  | -  | -   | -  | -  | -  | -     | -  | -  | -  | -   | -  | -  | -  | -    | -  | -  | -  | -   | -  | -  | -  |
|             | Red(253)         | 1                | 1  | 1  | 1  | 1   | 1  | 0  | 1  | 0     | 0  | 0  | 0  | 0   | 0  | 0  | 0  | 0    | 0  | 0  | 0  | 0   | 0  | 0  | 0  |
|             | Red(254)         | 1                | 1  | 1  | 1  | 1   | 1  | 1  | 0  | 0     | 0  | 0  | 0  | 0   | 0  | 0  | 0  | 0    | 0  | 0  | 0  | 0   | 0  | 0  | 0  |
|             | Red(255) Bright  | 1                | 1  | 1  | 1  | 1   | 1  | 1  | 1  | 0     | 0  | 0  | 0  | 0   | 0  | 0  | 0  | 0    | 0  | 0  | 0  | 0   | 0  | 0  | 0  |
| Green       | Green(000) Dark  | 0                | 0  | 0  | 0  | 0   | 0  | 0  | 0  | 0     | 0  | 0  | 0  | 0   | 0  | 0  | 0  | 0    | 0  | 0  | 0  | 0   | 0  | 0  | 0  |
|             | Green(001)       | 0                | 0  | 0  | 0  | 0   | 0  | 0  | 0  | 0     | 0  | 0  | 0  | 0   | 0  | 1  | 0  | 0    | 0  | 0  | 0  | 0   | 0  | 0  | 0  |
|             | Green(002)       | 0                | 0  | 0  | 0  | 0   | 0  | 0  | 0  | 0     | 0  | 0  | 0  | 0   | 1  | 0  | 0  | 0    | 0  | 0  | 0  | 0   | 0  | 0  | 0  |
|             | -----            | -                | -  | -  | -  | -   | -  | -  | -  | -     | -  | -  | -  | -   | -  | -  | -  | -    | -  | -  | -  | -   | -  | -  | -  |
|             | -----            | -                | -  | -  | -  | -   | -  | -  | -  | -     | -  | -  | -  | -   | -  | -  | -  | -    | -  | -  | -  | -   | -  | -  | -  |
|             | Green(253)       | 0                | 0  | 0  | 0  | 0   | 0  | 0  | 0  | 1     | 1  | 1  | 1  | 1   | 1  | 0  | 1  | 0    | 0  | 0  | 0  | 0   | 0  | 0  | 0  |
|             | Green(254)       | 0                | 0  | 0  | 0  | 0   | 0  | 0  | 0  | 1     | 1  | 1  | 1  | 1   | 1  | 1  | 0  | 0    | 0  | 0  | 0  | 0   | 0  | 0  | 0  |
|             | Green(255)Bright | 0                | 0  | 0  | 0  | 0   | 0  | 0  | 0  | 1     | 1  | 1  | 1  | 1   | 1  | 1  | 1  | 0    | 0  | 0  | 0  | 0   | 0  | 0  | 0  |
| Blue        | Blue(000) Dark   | 0                | 0  | 0  | 0  | 0   | 0  | 0  | 0  | 0     | 0  | 0  | 0  | 0   | 0  | 0  | 0  | 0    | 0  | 0  | 0  | 0   | 0  | 0  | 0  |
|             | Blue(001)        | 0                | 0  | 0  | 0  | 0   | 0  | 0  | 0  | 0     | 0  | 0  | 0  | 0   | 0  | 0  | 0  | 0    | 0  | 0  | 0  | 0   | 0  | 0  | 1  |
|             | Blue(002)        | 0                | 0  | 0  | 0  | 0   | 0  | 0  | 0  | 0     | 0  | 0  | 0  | 0   | 0  | 0  | 0  | 0    | 0  | 0  | 0  | 0   | 0  | 1  | 0  |
|             | -----            | -                | -  | -  | -  | -   | -  | -  | -  | -     | -  | -  | -  | -   | -  | -  | -  | -    | -  | -  | -  | -   | -  | -  | -  |
|             | -----            | -                | -  | -  | -  | -   | -  | -  | -  | -     | -  | -  | -  | -   | -  | -  | -  | -    | -  | -  | -  | -   | -  | -  | -  |
|             | Blue(253)        | 0                | 0  | 0  | 0  | 0   | 0  | 0  | 0  | 0     | 0  | 0  | 0  | 0   | 0  | 0  | 1  | 1    | 1  | 1  | 1  | 1   | 1  | 0  | 1  |
|             | Blue(254)        | 0                | 0  | 0  | 0  | 0   | 0  | 0  | 0  | 0     | 0  | 0  | 0  | 0   | 0  | 0  | 1  | 1    | 1  | 1  | 1  | 1   | 1  | 1  | 0  |
|             | Blue(255) Bright | 0                | 0  | 0  | 0  | 0   | 0  | 0  | 0  | 0     | 0  | 0  | 0  | 0   | 0  | 0  | 1  | 1    | 1  | 1  | 1  | 1   | 1  | 1  | 1  |

Product Specification

3-7. Power sequence

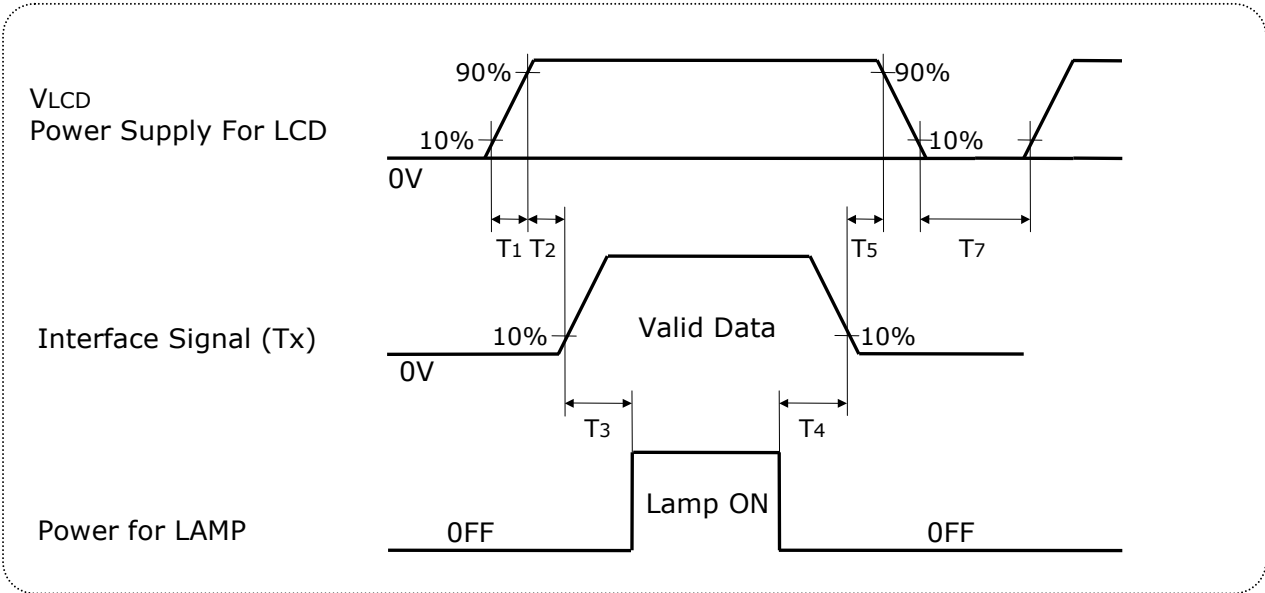


Table 9. Power sequence

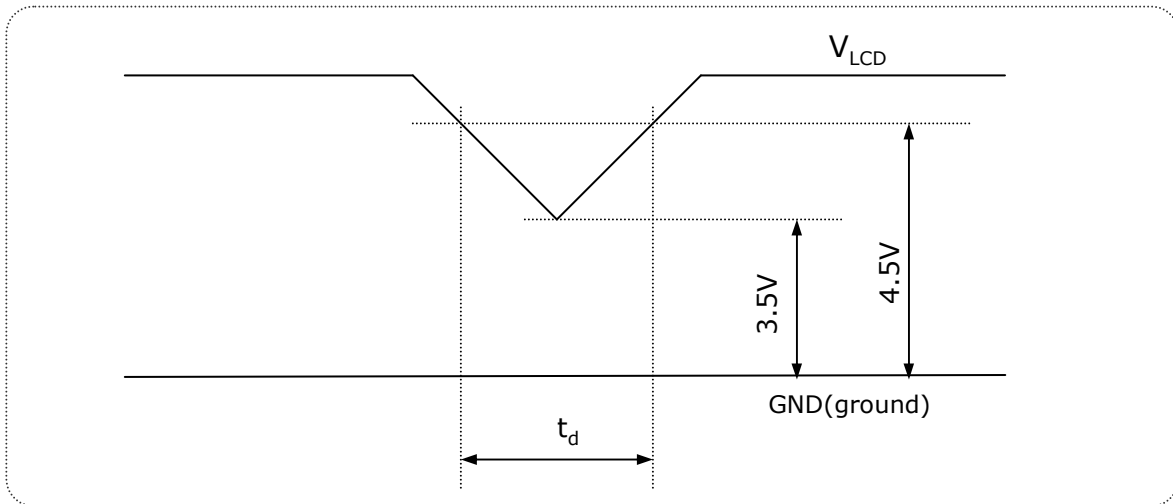
| Parameter | Values |     |     | Units |
|-----------|--------|-----|-----|-------|
|           | Min    | Typ | Max |       |
| T1        | 0.5    | -   | 10  | ms    |
| T2        | 0.01   | -   | 50  | ms    |
| T3        | 500    | -   | -   | ms    |
| T4        | 200    | -   | -   | ms    |
| T5        | 0.01   | -   | 50  | ms    |
| T7        | 1      | -   | -   | s     |

Notes :

1. Please  $V_{LCD}$  power on only after connecting interface cable to LCD.
2. Please avoid floating state of interface signal at invalid period.
3. When the interface signal is invalid, be sure to pull down the power supply for LCD  $V_{LCD}$  to 0V.
4. Lamp power must be turn on after power supply for LCD an interface signal are valid.

### 3-8. $V_{LCD}$ Power dip condition

**FIG. 6 Power dip condition**



1) Dip condition

$$3.5V \leq V_{LCD} < 4.5V, t_d \leq 20ms$$

2)  $V_{LCD} < 3.5V$

$V_{LCD}$ -dip conditions should also follow the Power On/Off conditions for supply voltage.

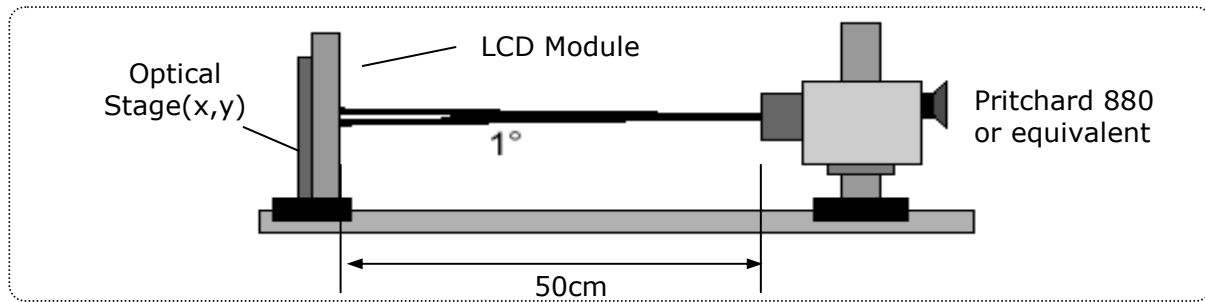
**Product Specification**

**4. Optical specification**

Optical characteristics are determined after the unit has been 'ON' for 30 minutes in a dark environment at 25°C. The values specified are at an approximate distance 50cm from the LCD surface at a viewing angle of  $\Phi$  and  $\theta$  equal to 0°.

FIG. 7 presents additional information concerning the measurement equipment and method.

**FIG. 7 Optical characteristic measurement equipment and method**



**Table 10. Optical characteristics**

Ta= 25°C, V<sub>LCD</sub>=5.0V, f<sub>v</sub>=60Hz f<sub>CLK</sub>=54MHz, I<sub>BL</sub>=7.5mA

| Parameter  | Symbol                            | Values          |              |       | Units             | Notes  |   |
|--|-----------------------------------|-----------------|--------------|-------|-------------------|--------|---|
|  |                                   | Min             | Typ          | Max   |                   |        |   |
| Contrast Ratio                                     | CR                                | 700             | 1000         | -     |                   | 1      |   |
| Surface Luminance, white                           | L <sub>WH</sub>                   | 250             | 300          | -     | cd/m <sup>2</sup> | 2      |   |
| Luminance Variation                                | $\delta_{\text{WHITE}}$ 9P        | 75              |              |       | %                 | 3      |   |
| Response Time                                      | Rise Time                         | Tr <sub>R</sub> | 1.3          | 2.6   | ms                | 4      |   |
|  | Decay Time                        | Tr <sub>D</sub> | 3.7          | 7.4   | ms                | 4      |   |
| Color Coordinates [CIE1931]                        | RED                               | Rx              | Typ<br>-0.03 | 0.641 | Typ<br>+0.03      |        |   |
|  |                                   | Ry              |              | 0.335 |                   |        |   |
|  | GREEN                             | Gx              |              | 0.298 |                   |        |   |
|  |                                   | Gy              |              | 0.611 |                   |        |   |
|  | BLUE                              | Bx              |              | 0.147 |                   |        |   |
|  |                                   | By              |              | 0.070 |                   |        |   |
|  | WHITE                             | Wx              |              | 0.313 |                   |        |   |
|  |                                   | Wy              |              | 0.329 |                   |        |   |
| Viewing Angle (CR>5)                               |                                   |                 |              |       |                   |        |   |
|  | x axis, right( $\phi=0^\circ$ )   | $\theta_r$      | 75           | 88    |                   | Degree | 5 |
|  | x axis, left ( $\phi=180^\circ$ ) | $\theta_l$      | 75           | 88    |                   |        |   |
|  | y axis, up ( $\phi=90^\circ$ )    | $\theta_u$      | 70           | 85    |                   |        |   |
|  | y axis, down ( $\phi=270^\circ$ ) | $\theta_d$      | 70           | 85    |                   |        |   |
| Viewing Angle (CR>10)                              |                                   |                 |              |       |                   |        |   |
|  | x axis, right( $\phi=0^\circ$ )   | $\theta_r$      | 70           | 85    |                   | Degree | 5 |
|  | x axis, left ( $\phi=180^\circ$ ) | $\theta_l$      | 70           | 85    |                   |        |   |
|  | y axis, up ( $\phi=90^\circ$ )    | $\theta_u$      | 60           | 75    |                   |        |   |
|  | y axis, down ( $\phi=270^\circ$ ) | $\theta_d$      | 70           | 85    |                   |        |   |
| Crosstalk  |                                   |                 |              | 1.5   | %                 | 8      |   |
| Luminance uniformity - Angular dependence (TCO'03) | LR                                | -               | -            | 1.7   |                   | 6      |   |

**Product Specification**

Notes :

1. Contrast ratio(CR) is defined mathematically as :It is measured at center point(1)

$$\text{Contrast ratio} = \frac{\text{Surface luminance with all white pixels}}{\text{Surface luminance with all black pixels}}$$

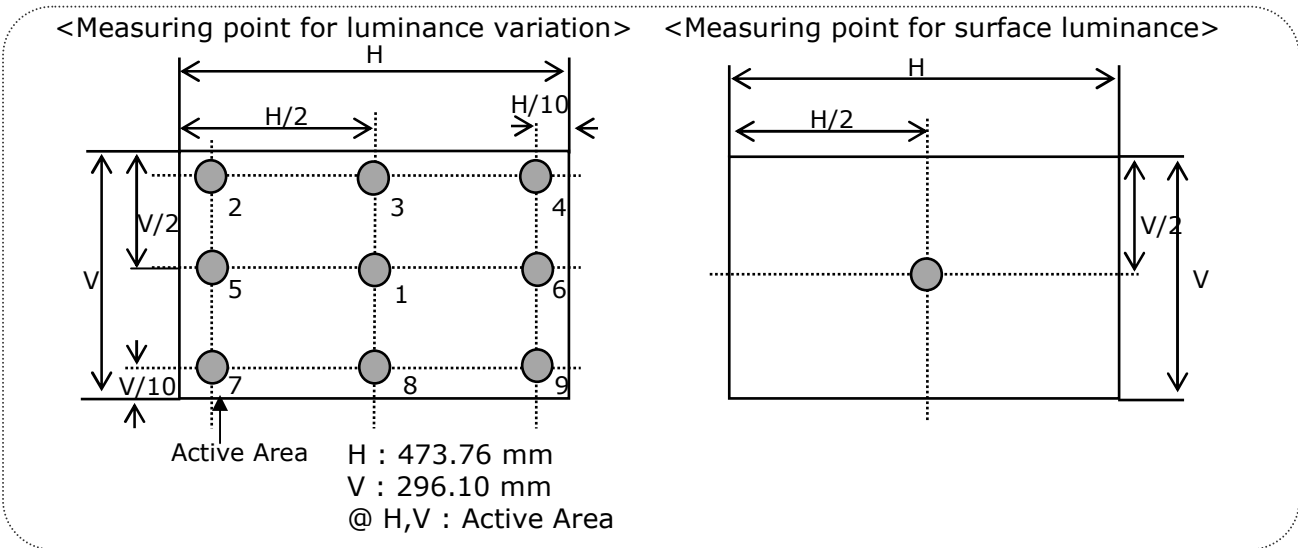
2. Surface luminance is the luminance value at center 1 point(1) across the LCD surface 50cm from the surface with all pixels displaying white. For more information see FIG 8.

3. The variation in surface luminance ,  $\delta_{\text{WHITE}}$  is defined as

$$\delta_{\text{WHITE}} = \frac{\text{Minimum (P1,P2 .....P9)}}{\text{Maximum (P1,P2 .....P9)}} * 100$$

For more information see Figure 8.

**FIG. 8 Luminance measuring point**



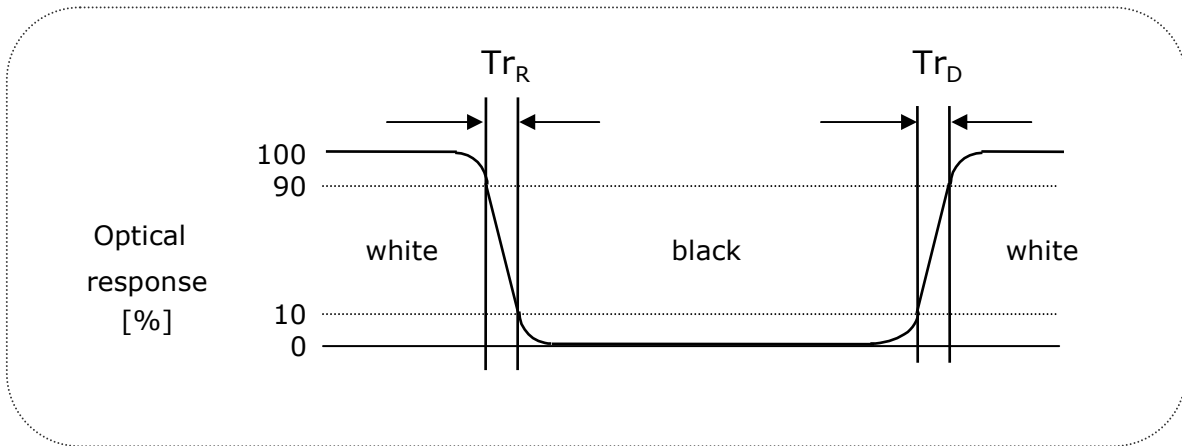
**Product Specification**

Notes :

4. Response time is the time required for the display to transition from black to white (Decay Time,  $Tr_D$ ) and from white to black (Rise Time,  $Tr_R$ )  
The sampling rate is 2,500 sample/sec. For additional information see FIG. 9.

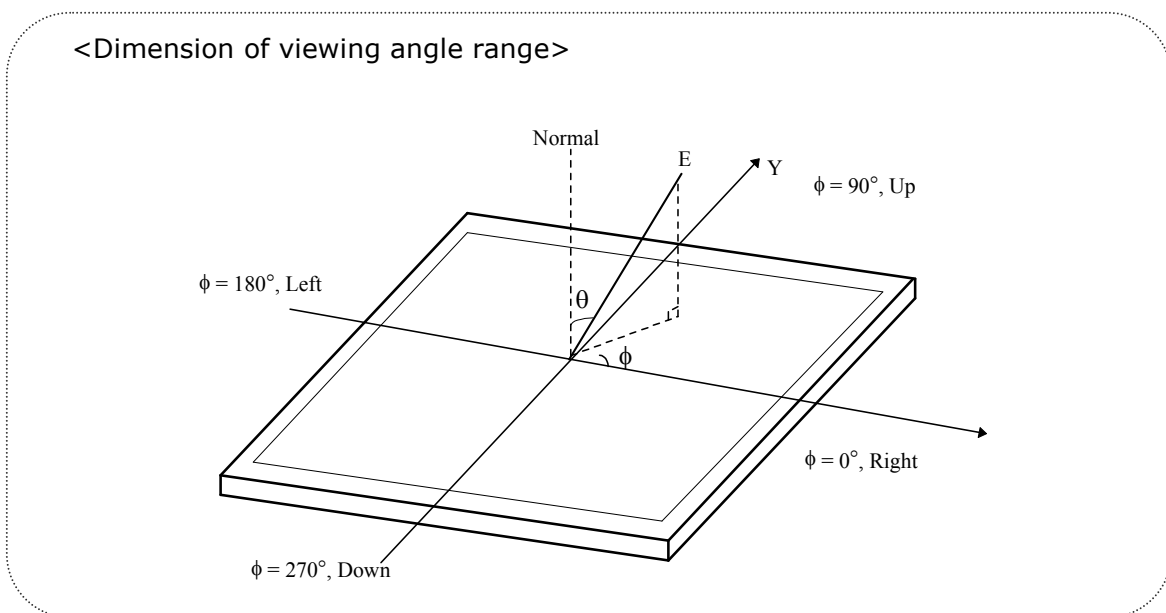
The response time is defined as the following figure and shall be measured by switching the input signal for each gray to gray.

**FIG. 9 Response time**



5. Viewing angle is the angle at which the contrast ratio is greater than 10 or 5. The angles are determined for the horizontal or x axis and the vertical or y axis with respect to the z axis which is normal to the LCD surface. For more information see FIG. 10 .

**FIG. 10 Viewing angle**



**Product Specification**

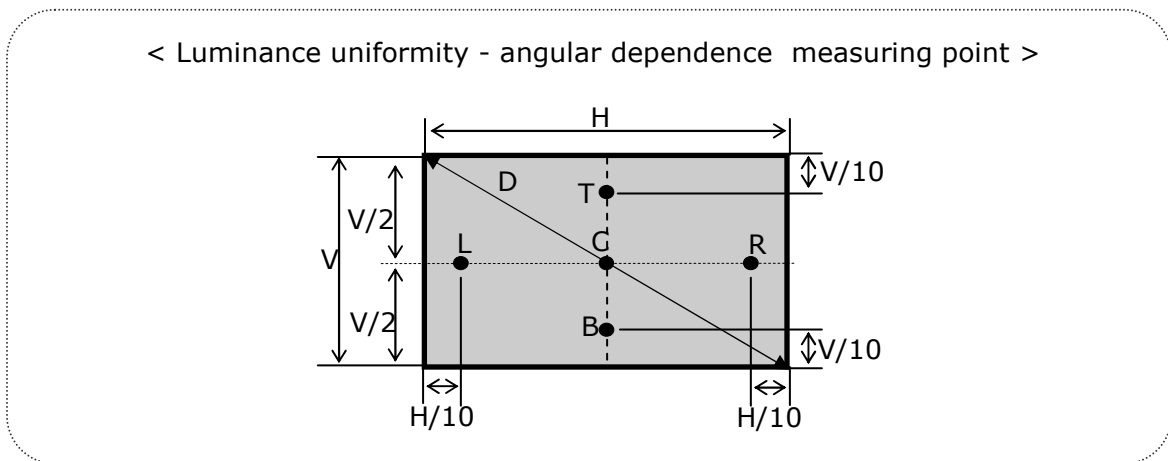
Notes :

6. Luminance Uniformity - angular - dependence (LR & TB)

TCO '03 Luminance uniformity - angular dependence, is the capacity of the VDU to present the same Luminance level independently of the viewing direction. The angular-dependent luminance uniformity is calculated as the ratio of maximum luminance to minimum luminance in the specified measurement areas.

- Test pattern : 80% white pattern
- Test point : 2-point
- Test distance :  $D * 1.5 = 83.82\text{cm}$
- Test method :  $L_R = ((L_{\text{max.}+30\text{deg.}} / L_{\text{min.}+30\text{deg.}}) + (L_{\text{max.}-30\text{deg.}} / L_{\text{min.}-30\text{deg.}})) / 2$   
 $T_B = ((L_{\text{max.}+15\text{deg.}} / L_{\text{min.}+15\text{deg.}})$

**FIG. 11 Luminance Uniformity angular dependence**



7. Gray scale specification

**Table 11. Gray scale**

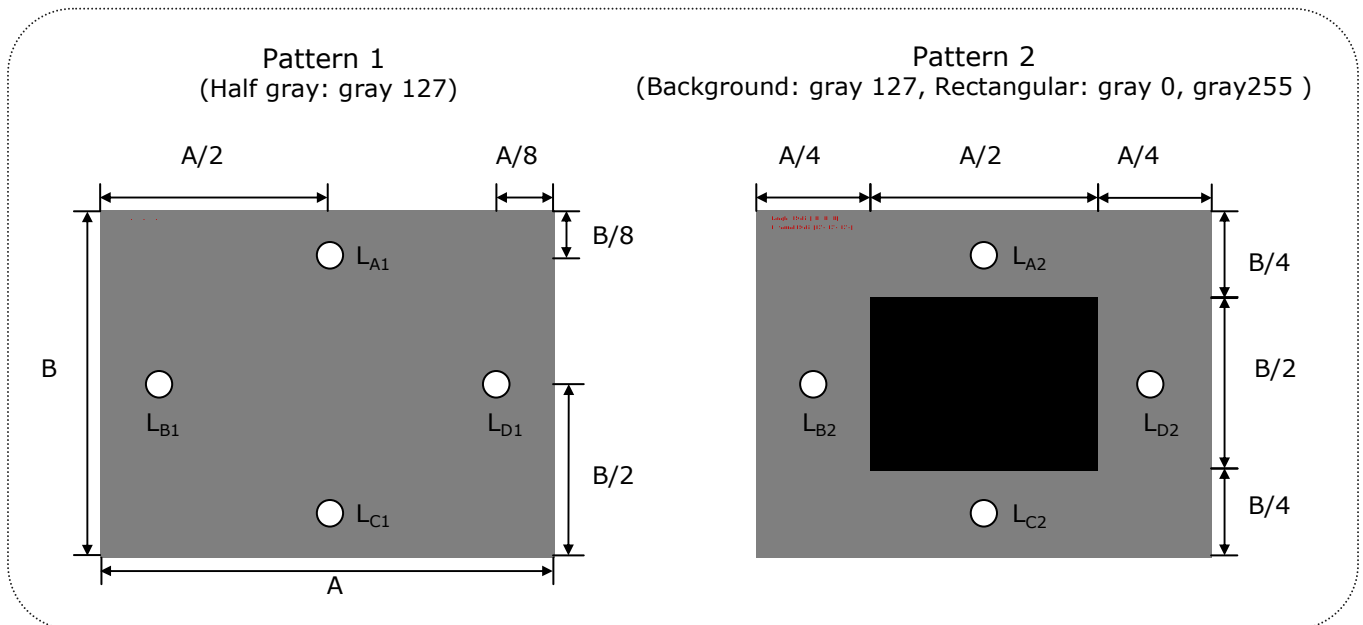
| Gray level | Luminance [%] (Typ) |
|------------|---------------------|
| L0         | 0.14                |
| L31        | 1.23                |
| L63        | 4.98                |
| L95        | 12.30               |
| L127       | 23.58               |
| L159       | 40.03               |
| L191       | 61.30               |
| L223       | 84.03               |
| L255       | 100                 |

Product Specification

Notes :

8. The equation of crosstalk :  $(|L_{A[or C]2} - L_{A[or C]1}| / L_{A[or C]1}) \times 100(\%)$  [Vertical],  
 $(|L_{B[or D]2} - L_{B[or D]1}| / L_{B[or D]1}) \times 100(\%)$  [Horizontal]

FIG. 12 Crosstalk





**Product Specification**
**5. Mechanical characteristics**

The contents provide general mechanical characteristics. In addition the figures in the next page are detailed mechanical drawing of the LCD.

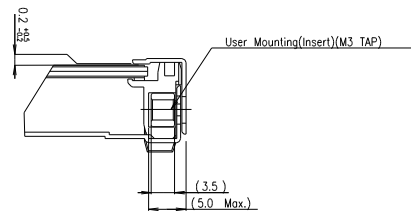
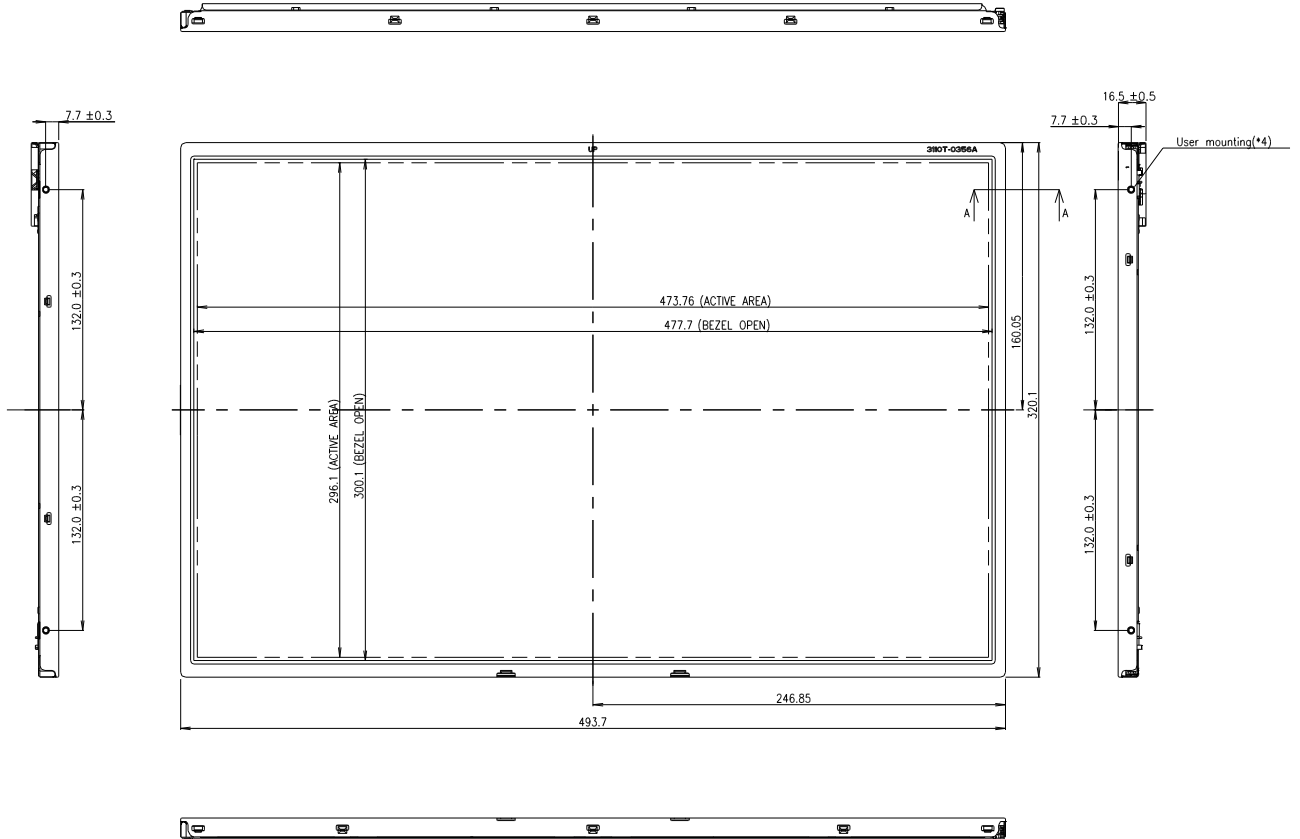
**Table 12. Mechanical characteristics**

|                     |   |           |
|---------------------|---|-----------|
| Outline dimension   | Horizontal  | 493.7 mm  |
|                     | Vertical  | 320.1 mm  |
|                     | Depth   | 16.5 mm   |
| Bezel area          | Horizontal  | 477.7 mm  |
|                     | Vertical  | 300.1 mm  |
| Active display area | Horizontal  | 473.76 mm |
|                     | Vertical  | 296.10 mm |
| Weight              | 2,350g (Typ.) 2,500 (Max.)                                      |           |
| Surface treatment   | Hard coating(3H)<br>Anti-glare treatment of the front polarizer |           |

Notes : Please refer to a mechanic drawing in terms of tolerance at the next page.

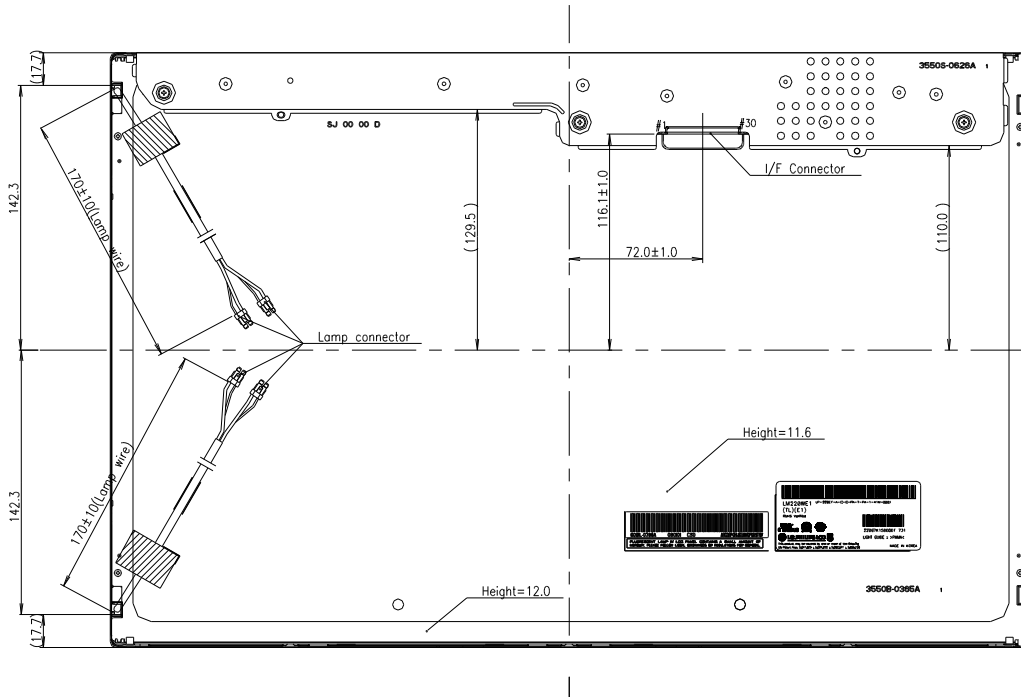
**Product Specification**

**< FRONT VIEW >**



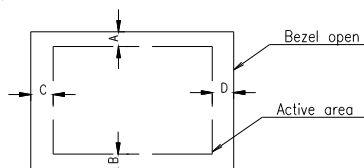
**Product Specification**

**< REAR VIEW >**



**Notes**

1. Backlight : 4 Cold Cathode Fluorescent Lamps
2. I/F Connector Specification : 187024-30091(P-TWO), IS100-L30B-C23(UUU)
3. Lamp Connector Specification  
- 35001HS-02LD(Yeonha) <2pin>
4. Torque of user hole : 3.0~4.0kgf-cm
5. Tilt and partial disposition tolerance of display area as following  
(1) Y-Direction : IA-BI <= 1.0  
(2) X-Direction : IC-DI <= 1.0



6. Lamp(CCFL) lot No. is marked at backlight connector
7. Do not wind conductive tape around the backlight wires
8. Unspecified tolerances to be ±0.5mm

**Product Specification**
**6. Reliability**
**Table 13. Environment test conditions**

| No | Test Item                                   | Condition  |
|----|---|--|
| 1  | High temperature storage test               | Ta= 60°C 240hrs  |
| 2  | Low temperature storage test                | Ta= -20°C 240hrs   |
| 3  | High temperature operation test             | Ta= 50°C 50%RH 240hrs  |
| 4  | Low temperature operation test              | Ta= 0°C 240hrs   |
| 5  | Vibration test<br>(non-operating)           | Wave form : random<br>Vibration level : 1.0GRMS<br>Bandwidth : 10-300Hz<br>Duration : X,Y,Z, 20 min<br>One time each direction |
| 6  | Shock test<br>(non-operating)               | Shock level : 120G<br>Waveform : half sine wave, 2msec<br>Direction : ±X, ±Y, ±Z<br>One time each direction                    |
| 7  | Altitude<br>operating<br>storage / shipment | 0 - 10,000 feet(3,048m)<br>0 - 40,000 feet(12,192m)  |

{ Result evaluation criteria }

There should be no change which might affect the practical display function when the display quality test is conducted under normal operating condition.

**Product Specification****7. International standards****7-1. Safety**

- a) UL 60950-1:2003, First Edition, Underwriters Laboratories, Inc.,  
Standard for Safety of Information Technology Equipment.
- b) CAN/CSA C22.2, No. 60950-1-03 1st Ed. April 1, 2003, Canadian Standards Association,  
Standard for Safety of Information Technology Equipment.
- c) EN 60950-1:2001, First Edition,  
European Committee for Electro-technical Standardization(CENELEC)  
European Standard for Safety of Information Technology Equipment.
- d) RoHS, Directive 2002/95/EC of the European Parliament and of the council of 27  
January 2003

**7-2. EMC**

- a) ANSI C63.4 "Methods of Measurement of Radio-Noise Emissions from Low-Voltage  
Electrical and Electrical Equipment in the Range of 9kHz to 40GHz. "American National  
Standards Institute(ANSI),1992
- b) C.I.S.P.R "Limits and Methods of Measurement of Radio Interface Characteristics of  
Information Technology Equipment." International Special Committee on Radio  
Interference.
- c) EN 55022 "Limits and Methods of Measurement of Radio Interface Characteristics of  
Information Technology Equipment." European Committee for Electro-technical  
Standardization.(CENELEC), 1998 ( Including A1: 2000 )

**Product Specification**

## 8. Packing

### 8-1. Designation of lot mark

a) Lot mark

|   |   |   |   |   |   |   |   |   |   |   |   |   |
|---|---|---|---|---|---|---|---|---|---|---|---|---|
| A | B | C | D | E | F | G | H | I | J | K | L | M |
|---|---|---|---|---|---|---|---|---|---|---|---|---|

A,B,C : Size (Inch)  
E : Month

D : Year  
F ~ M : Serial No.

Note:

1. Year

|      |      |      |      |      |      |      |      |      |      |      |
|------|------|------|------|------|------|------|------|------|------|------|
| Year | 2001 | 2002 | 2003 | 2004 | 2005 | 2006 | 2007 | 2008 | 2009 | 2010 |
| Mark | 1    | 2    | 3    | 4    | 5    | 6    | 7    | 8    | 9    | 0    |

2. Month

|       |     |     |     |     |     |     |     |     |     |     |     |     |
|-------|-----|-----|-----|-----|-----|-----|-----|-----|-----|-----|-----|-----|
| Month | Jan | Feb | Mar | Apr | May | Jun | Jul | Aug | Sep | Oct | Nov | Dec |
| Mark  | 1   | 2   | 3   | 4   | 5   | 6   | 7   | 8   | 9   | A   | B   | C   |

b) Location of lot mark

Serial No. is printed on the label. The label is attached to the backside of the LCD module. This is subject to change without prior notice.

### 8-2. Packing form

a) Package quantity in one box : 8pcs

b) Box size : 550mm X 314mm X 401mm

**Product Specification****9. Precautions**

Please pay attention to the followings when you use this TFT LCD module.

**9-1. Mounting Precautions**

- (1) You must mount a module using holes arranged in four corners or four sides.
- (2) You should consider the mounting structure so that uneven force (ex. Twisted stress) is not applied to the Module. And the case on which a module is mounted should have sufficient strength so that external force is not transmitted directly to the module.
- (3) Please attach the surface transparent protective plate to the surface in order to protect the polarizer. Transparent protective plate should have sufficient strength in order to resist external force.
- (4) You should adopt radiation structure to satisfy the temperature specification.
- (5) Acetic acid type and chlorine type materials for the cover case are not desirable because the former generates corrosive gas of attacking the polarizer at high temperature and the latter causes circuit break by electro-chemical reaction.
- (6) Do not touch, push or rub the exposed polarizers with glass, tweezers or anything harder than HB pencil lead. And please do not rub with dust clothes with chemical treatment. Do not touch the surface of polarizer for bare hand or greasy cloth. (Some cosmetics are detrimental to the polarizer.)
- (7) When the surface becomes dusty, please wipe gently with absorbent cotton or other soft materials like chamois soaks with petroleum benzene. Normal-hexane is recommended for cleaning the adhesives used to attach front / rear polarizers. Do not use acetone, toluene and alcohol because they cause chemical damage to the polarizer.
- (8) Wipe off saliva or water drops as soon as possible. Their long time contact with polarizer causes deformations and color fading.
- (9) Do not open the case because inside circuits do not have sufficient strength.

**9-2. Operating precautions**

- (1) The spike noise causes the mis-operation of circuits. It should be lower than following voltage :  $V = \pm 200\text{mV}$  (Over and under shoot voltage)
- (2) Response time depends on the temperature. (In lower temperature, it becomes longer.)
- (3) Brightness depends on the temperature. (In lower temperature, it becomes lower.) And in lower temperature, response time (required time that brightness is stable after turned on) becomes longer.
- (4) Be careful for condensation at sudden temperature change. Condensation makes damage to polarizer or electrical contacted parts. And after fading condensation, smear or spot will occur.
- (5) When fixed patterns are displayed for a long time, remnant image is likely to occur.
- (6) Module has high frequency circuits. Sufficient suppression to the electromagnetic interference shall be done by system manufacturers. Grounding and shielding methods may be important to minimized the interference.
- (7) Please do not give any mechanical and/or acoustical impact to LCM. Otherwise, LCM can not be operated its full characteristics perfectly.
- (8) A screw which is fastened up the steels should be a machine screw (if not, it causes metal foreign material and deal LCM a fatal blow)
- (9) Please do not set LCD on its edge.

**Product Specification****9-3. Electrostatic discharge control**

Since a module is composed of electronic circuits, it is not strong to electrostatic discharge. Make certain that treatment persons are connected to ground through wrist band etc. And don't touch interface pin directly.

**9-4. Precautions for strong light exposure**

Strong light exposure causes degradation of polarizer and color filter.

**9-5. Storage**

When storing modules as spares for a long time, the following precautions are necessary.

- (1) Store them in a dark place. Do not expose the module to sunlight or fluorescent light. Keep the temperature between 5°C and 35°C at normal humidity.
- (2) The polarizer surface should not come in contact with any other object.  
It is recommended that they be stored in the container in which they were shipped.

**9-6. Handling precautions for protection film**

- (1) The protection film is attached to the bezel with a small masking tape.  
When the protection film is peeled off, static electricity is generated between the film and polarizer. This should be peeled off slowly and carefully by people who are electrically grounded and with well ion-blown equipment or in such a condition, etc.
- (2) When the module with protection film attached is stored for a long time, sometimes there remains a very small amount of glue still on the bezel after the protection film is peeled off.
- (3) You can remove the glue easily. When the glue remains on the bezel surface or its vestige is recognized, please wipe them off with absorbent cotton waste or other soft material like chamois soaked with normal-hexane.