




Product Specification

AU OPTRONICS CORPORATION

() Preliminary Specifications

(✓) Final Specifications

| | |
|--|--|
| Module | 15.6"HD 16:9 Color TFT-LCD with LED Backlight design |
| Model Name | B156XTN03.2 (H/W: 1A) |
| Note () | LED Backlight with driving circuit design |

| | |
|---|-------|
| Customer | Date |
| _____ | _____ |
| Checked & Approved by | Date |
| _____ | _____ |
| Note: This Specification is subject to change without notice. | |

| | |
|---|-------------------|
| Approved by | Date |
| <u>BuffyChen</u> | <u>04/01/2012</u> |
| Prepared by | Date |
| <u>Derek CW Liu</u> | <u>04/01/2012</u> |
| NBBU Marketing Division AU Optronics corporation | |



Product Specification

AU OPTRONICS CORPORATION

Contents

| | |
|--|-----------|
| 1. Handling Precautions | 4 |
| 2. General Description | 5 |
| 2.1 General Specification | 5 |
| 2.2 Optical Characteristics | 6 |
| 3. Functional Block Diagram | 11 |
| 4. Absolute Maximum Ratings | 12 |
| 4.1 Absolute Ratings of TFT LCD Module | 12 |
| 4.2 Absolute Ratings of Environment | 12 |
| 5. Electrical Characteristics | 13 |
| 5.1 TFT LCD Module | 13 |
| 5.2 Backlight Unit | 15 |
| 6. Signal Interface Characteristic | 16 |
| 6.1 Pixel Format Image | 16 |
| 6.2 Integration Interface Requirement | 17 |
| 6.3 Interface Timing..... | 19 |
| 6.4 Power sequence | 19 |
| 7. Panel Reliability Test | 21 |
| 7.1 Vibration Test..... | 21 |
| 7.2 Shock Test | 21 |
| 7.3 Reliability Test | 21 |
| 8. Mechanical Characteristics | 22 |
| 8.1 LCM Outline Dimension | 22 |
| 9. Shipping and Package | 24 |
| 9.1 Shipping Label Format | 24 |
| 9.2 Carton Package..... | 25 |
| 9.3 Shipping Package of Palletizing Sequence | 26 |
| 10. Appendix: EDID Description | 26 |



Product Specification

AU OPTRONICS CORPORATION

Record of Revision

| Version and Date | Page | Old description | New Description | Remark |
|------------------|------|----------------------------|----------------------------|--------|
| 0.1 2011/12/20 | All | First Edition for Customer | | |
| 1.0 2012/02/19 | All | | Final Edition for Customer | |
| 1.0 2012/03/30 | 25 | | Packing description chaned | |
| 1.0 2012/04/01 | 5 | Weight:380g | Weight change to 350g | |



Product Specification

AU OPTRONICS CORPORATION

1. Handling Precautions

- 1) Since front polarizer is easily damaged, pay attention not to scratch it.
- 2) Be sure to turn off power supply when inserting or disconnecting from input connector.
- 3) Wipe off water drop immediately. Long contact with water may cause discoloration or spots.
- 4) When the panel surface is soiled, wipe it with absorbent cotton or other soft cloth.
- 5) Since the panel is made of glass, it may break or crack if dropped or bumped on hard surface.
- 6) Since CMOS LSI is used in this module, take care of static electricity and insure human earth when handling.
- 7) Do not open nor modify the Module Assembly.
- 8) Do not press the reflector sheet at the back of the module to any directions.
- 9) At the insertion or removal of the Signal Interface Connector, be sure not to rotate nor tilt the Interface Connector of the TFT Module.
- 11) After installation of the TFT Module into an enclosure (Notebook PC Bezel, for example), do not twist nor bend the TFT Module even momentary. At designing the enclosure, it should be taken into consideration that no bending/twisting forces are applied to the TFT Module from outside. Otherwise the TFT Module may be damaged.
- 12) Small amount of materials having no flammability grade is used in the LCD module. The LCD module should be supplied by power complied with requirements of Limited Power Source (IEC60950 or UL1950), or be applied exemption.
- 13) Disconnecting power supply before handling LCD modules, it can prevent electric shock, DO NOT TOUCH the electrode parts, cables, connectors and LED circuit part of TFT module that a LED light bar build in as a light source of back light unit. It can prevent electronic breakdown.



Product Specification

AU OPTRONICS CORPORATION

2. General Description

B156XTN03.2 is a Color Active Matrix Liquid Crystal Display composed of a TFT LCD panel, a driver circuit, and LED backlight system. The screen format is intended to support the 16:9 HD, 1366(H) x768(V) screen and 262k colors (RGB 6-bits data driver) with LED backlight driving circuit. All input signals are LVDS interface compatible.

B156XTN03.2 is designed for a display unit of notebook style personal computer and industrial machine.

2.1 General Specification

The following items are characteristics summary on the table at 25 °C condition:

| Items | Unit | Specifications | | | |
|---|----------------------|--|-------|-------|-------|
| Screen Diagonal | [mm] | 394.9 | | | |
| Active Area | [mm] | 344.2 X193.5 | | | |
| Pixels H x V | | 1366x3(RGB) x 768 | | | |
| Pixel Pitch | [mm] | 0.252X0.252 | | | |
| Pixel Format | | R.G.B. Vertical Stripe | | | |
| Display Mode | | Normally White | | | |
| White Luminance (ILED=20mA) (Note: ILED is LED current) | [cd/m ²] | 200 typ. (5 points average) 170 min. (5 points average) | | | |
| Luminance Uniformity | | 1.25 max. (5 points) | | | |
| Contrast Ratio | | 500 typ. | | | |
| Response Time | [ms] | 8 typ/16 Max | | | |
| Nominal Input Voltage VDD | [Volt] | +3.3 typ. | | | |
| Power Consumption | [Watt] | 3.6 max. (Include Logic and Blu power) | | | |
| Weight | [Grams] | 350 max. | | | |
| Physical Size Include bracket | [mm] | | Min. | Typ. | Max. |
| | | Length | 359.0 | 359.5 | 360.0 |
| | | Width | 223.3 | 223.8 | 224.3 |
| | | Thickness | - | - | 3.2 |
| Electrical Interface | | 1 channel LVDS | | | |
| Glass Thickness | [mm] | 0.4 | | | |
| Surface Treatment | | Glare, hardness 3H | | | |
| Support Color | | 262K colors (RGB 6-bit) | | | |
| Temperature Range Operating Storage (Non-Operating) | [°C] [°C] | 0 to +50 -20 to +60 | | | |
| RoHS Compliance | | RoHS Compliance | | | |



Product Specification

AU OPTRONICS CORPORATION

2.2 Optical Characteristics

The optical characteristics are measured under stable conditions at 25°C (Room Temperature) :

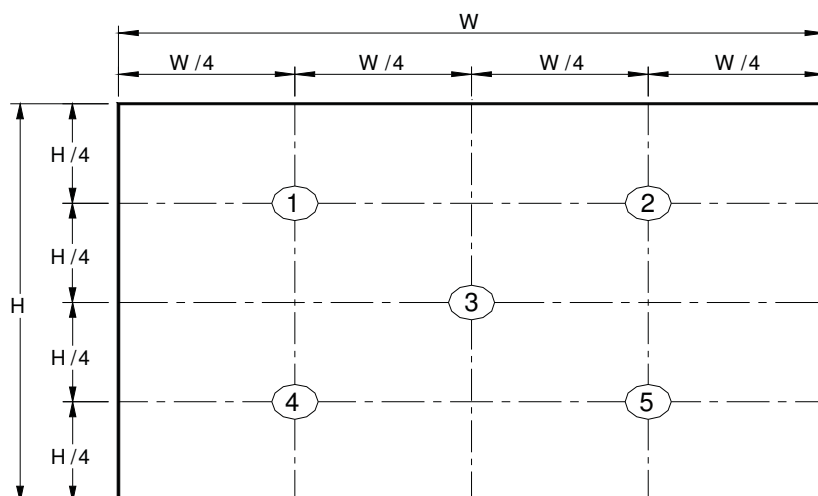
| Item | Symbol | Conditions | Min. | Typ. | Max. | Unit | Note |
|--|--------------------------|--------------------------------------|----------|----------|--------|-------------------|----------|
| White Luminance ILED=20mA | | 5 points average | 170 | 200 | - | cd/m ² | 1, 4, 5. |
| Viewing Angle | θ_R θ_L | Horizontal (Right) CR = 10 (Left) | 40 40 | 45 45 | - - | degre e | 4, 9 |
| | ψ_H ψ_L | Vertical (Upper) CR = 10 (Lower) | 10 30 | 15 35 | - - | | |
| Luminance Uniformity | δ_{5P} | 5 Points | - | - | 1.25 | | 1, 3, 4 |
| Luminance Uniformity | δ_{13P} | 13 Points | - | - | 1.60 | | 2, 3, 4 |
| Contrast Ratio | CR | | 400 | 500 | - | | 4, 6 |
| Cross talk | % | | | | 4 | | 4, 7 |
| Response Time | T_{RT} | Rising + Falling | - | 8 | 16 | | |
| Color / Chromaticity Coordinates | Red | Rx | 0.550 | 0.580 | 0.610 | CIE 1931 | 4 |
| | | Ry | 0.305 | 0.335 | 0.365 | | |
| | Green | Gx | 0.300 | 0.330 | 0.360 | | |
| | | Gy | 0.535 | 0.565 | 0.595 | | |
| | Blue | Bx | 0.125 | 0.155 | 0.185 | | |
| | | By | 0.110 | 0.140 | 0.170 | | |
| | White | Wx | 0.283 | 0.313 | 0.343 | | |
| | | Wy | 0.299 | 0.329 | 0.359 | | |
| NTSC | % | | - | 45 | - | | |



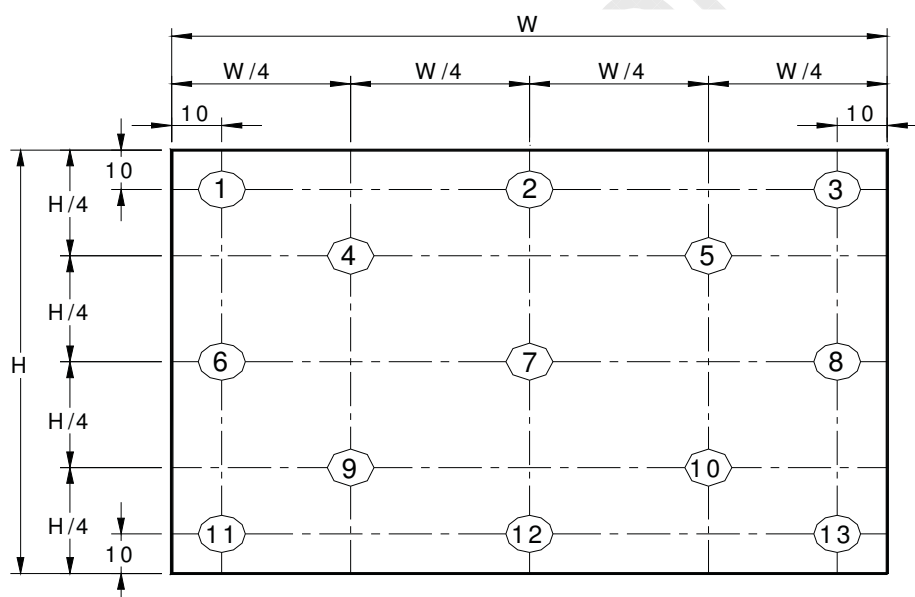
Product Specification

AU OPTRONICS CORPORATION

Note 1: 5 points position (Ref: Active area)



Note 2: 13 points position (Ref: Active area)



Note 3: The luminance uniformity of 5 or 13 points is defined by dividing the maximum luminance values by the minimum test point luminance

$$\delta_{W5} = \frac{\text{Maximum Brightness of five points}}{\text{Minimum Brightness of five points}}$$

$$\delta_{W13} = \frac{\text{Maximum Brightness of thirteen points}}{\text{Minimum Brightness of thirteen points}}$$

Note 4: Measurement method

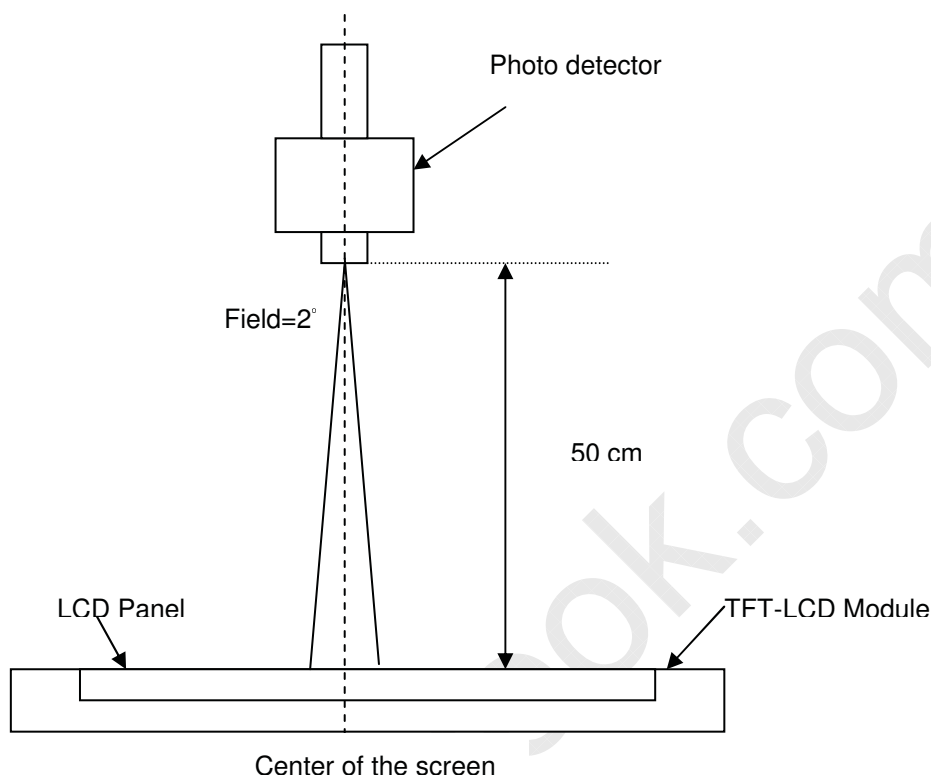
The LCD module should be stabilized at given temperature for 30 minutes to avoid abrupt temperature change during measuring. In order to stabilize the luminance, the measurement should be executed after



Product Specification

AU OPTRONICS CORPORATION

lighting Backlight for 30 minutes in a stable, windless and dark room, and it should be measured in the center of screen.



Note 5 : Definition of Average Luminance of White (Y_L):

Measure the luminance of gray level 63 at 5 points , $Y_L = [L (1)+ L (2)+ L (3)+ L (4)+ L (5)] / 5$

$L (x)$ is corresponding to the luminance of the point X at Figure in Note (1).

Note 6 : Definition of contrast ratio:

Contrast ratio is calculated with the following formula.

$$\text{Contrast ratio (CR)} = \frac{\text{Brightness on the "White" state}}{\text{Brightness on the "Black" state}}$$

Note 7 : Definition of Cross Talk (CT)

$$CT = | Y_B - Y_A | / Y_A \times 100 (\%)$$

Where

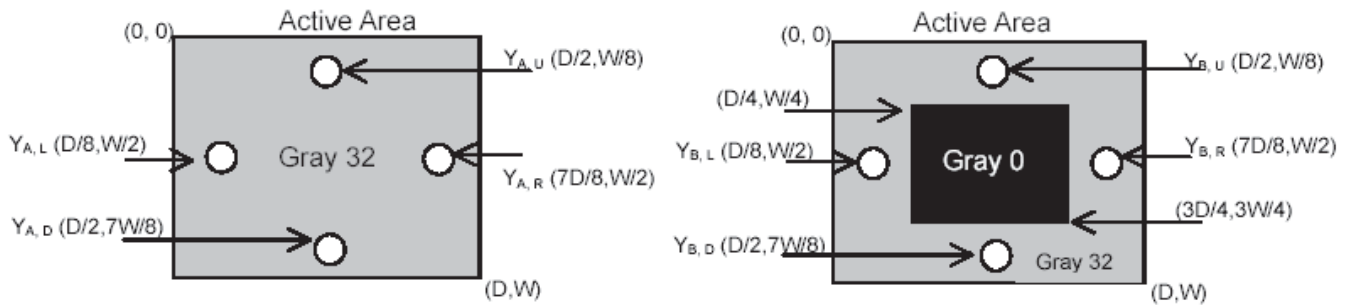
Y_A = Luminance of measured location without gray level 0 pattern (cd/m²)

Y_B = Luminance of measured location with gray level 0 pattern (cd/m²)



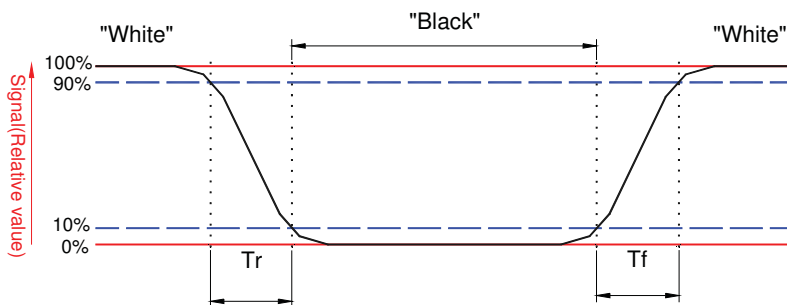
Product Specification

AU OPTRONICS CORPORATION



Note 8: Definition of response time:

The output signals of BM-7 or equivalent are measured when the input signals are changed from "Black" to "White" (falling time) and from "White" to "Black" (rising time), respectively. The response time interval between the 10% and 90% of amplitudes. Refer to figure as below.



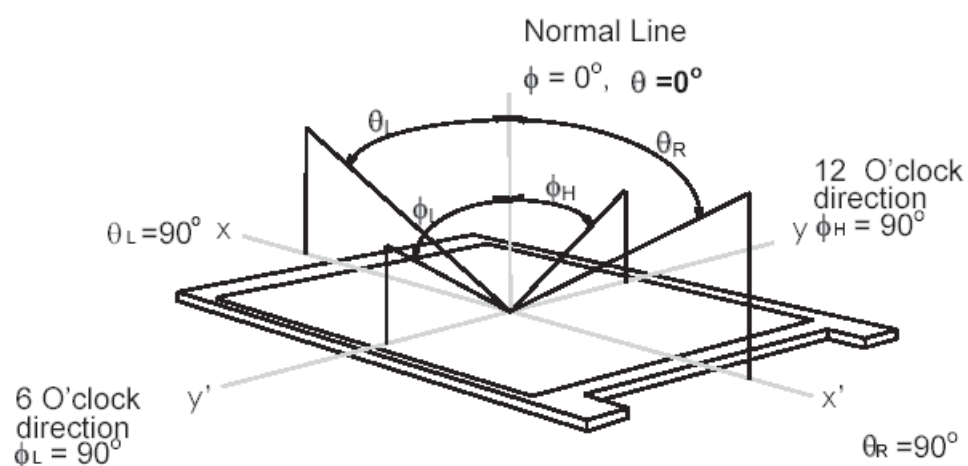


Product Specification

AU OPTRONICS CORPORATION

Note 9. Definition of viewing angle

Viewing angle is the measurement of contrast ratio ≥ 10 , at the screen center, over a 180° horizontal and 180° vertical range (off-normal viewing angles). The 180° viewing angle range is broken down as follows; 90° (θ) horizontal left and right and 90° (Φ) vertical, high (up) and low (down). The measurement direction is typically perpendicular to the display surface with the screen rotated about its center to develop the desired measurement viewing angle.



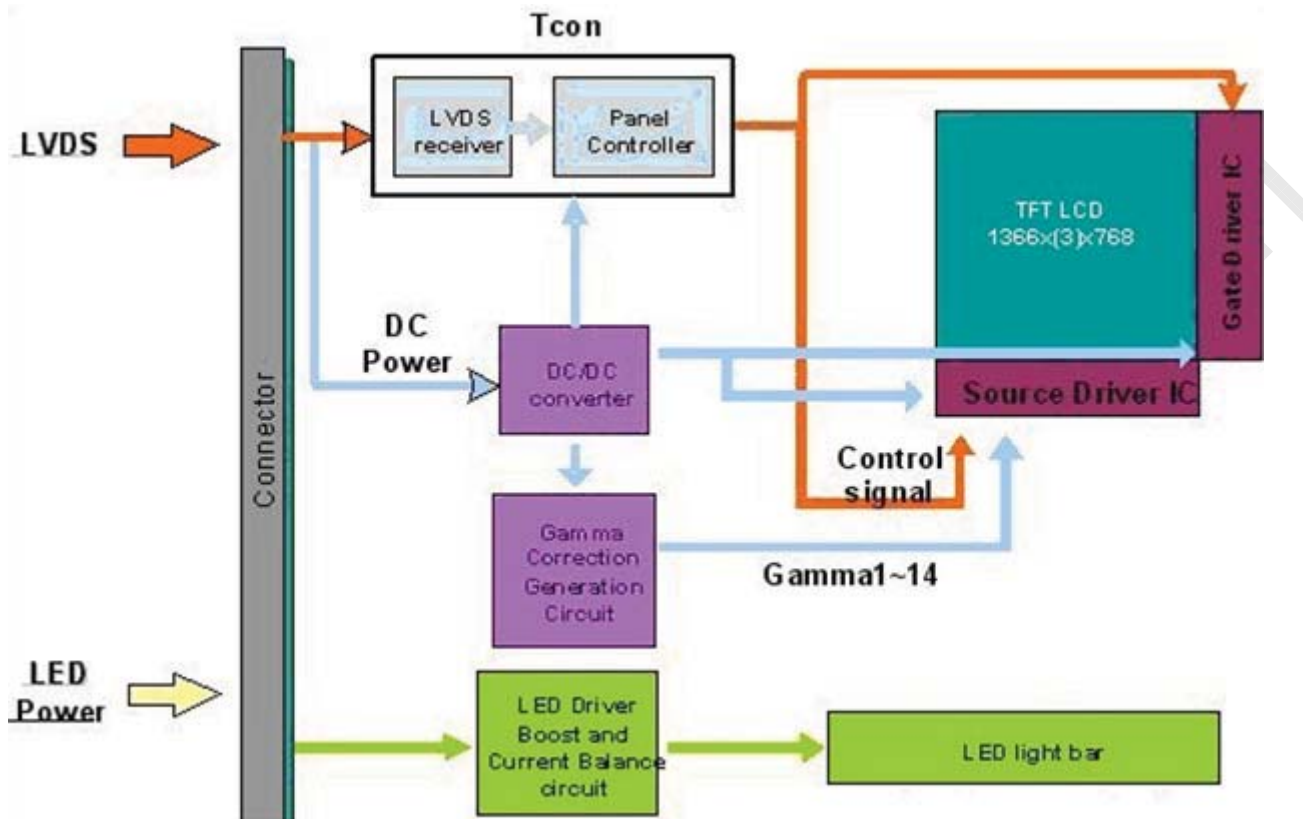


Product Specification

AU OPTRONICS CORPORATION

3. Functional Block Diagram

The following diagram shows the functional block of the 15.6 inches wide Color TFT/LCD 40 Pin (One CH/connector Module)





Product Specification

AU OPTRONICS CORPORATION

4. Absolute Maximum Ratings

An absolute maximum rating of the module is as following:

4.1 Absolute Ratings of TFT LCD Module

| Item | Symbol | Min | Max | Unit | Conditions |
|-----------------|--------|------|------|--------|------------|
| Logic/LCD Drive | Vin | -0.3 | +4.0 | [Volt] | Note 1,2 |

4.2 Absolute Ratings of Environment

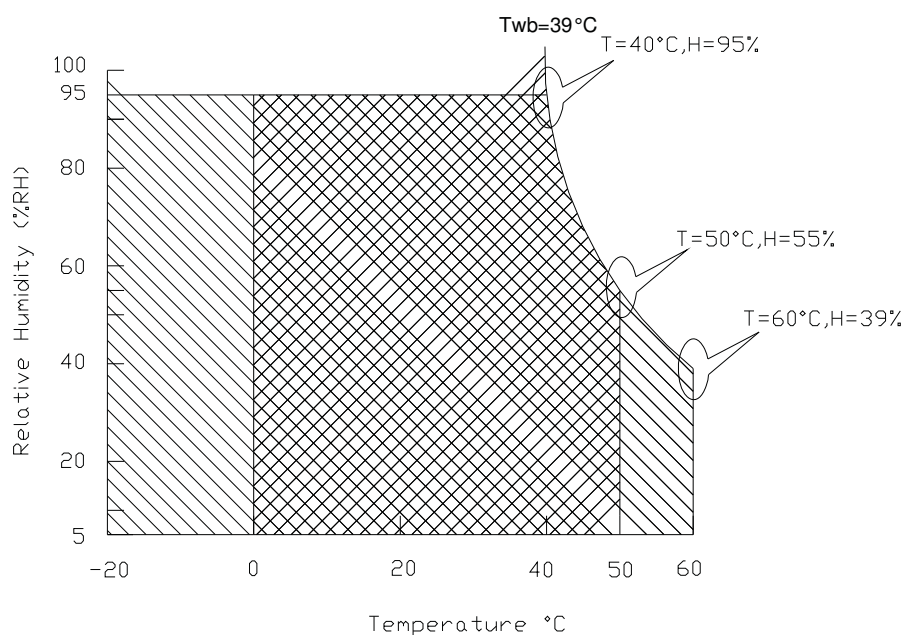
| Item | Symbol | Min | Max | Unit | Conditions |
|---------------------|--------|-----|-----|-------|------------|
| Operating | TOP | 0 | +50 | [°C] | Note 4 |
| Operation Humidity | HOP | 5 | 95 | [%RH] | Note 4 |
| Storage Temperature | TST | -20 | +60 | [°C] | Note 4 |
| Storage Humidity | HST | 5 | 95 | [%RH] | Note 4 |

Note 1: At Ta (25°C)

Note 2: Permanent damage to the device may occur if exceed maximum values

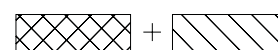
Note 3: LED specification refer to section 5.2

Note 4: For quality performance, please refer to AUO IIS (Incoming Inspection Standard).



Operating Range 

Storage Range





Product Specification

AU OPTRONICS CORPORATION

5. Electrical Characteristics

5.1 TFT LCD Module

5.1.1 Power Specification

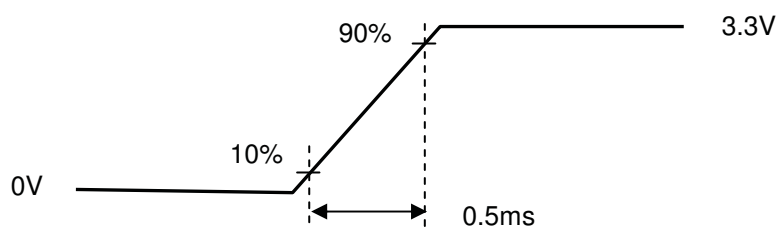
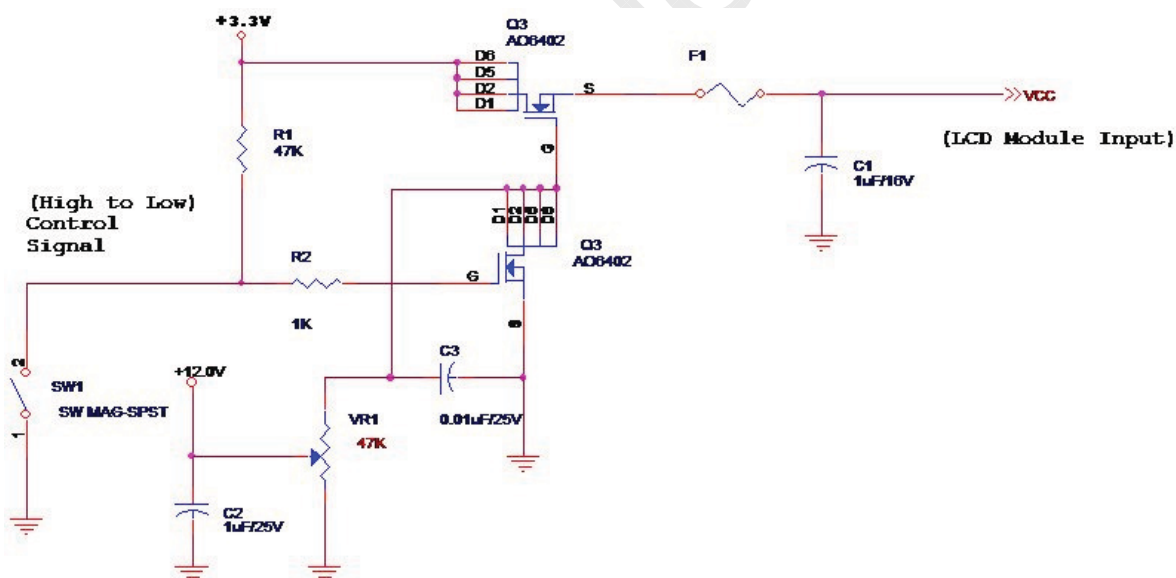
Input power specifications are as follows:

The power specification are measured under 25°C and frame frequency under 60Hz

| Symble | Parameter | Min | Typ | Max | Units | Note |
|--------|--|-----|-----|------|-------------|--------|
| VDD | Logic/LCD Drive Voltage | 3.0 | 3.3 | 3.6 | [Volt] | |
| PDD | VDD Power | - | - | 0.8 | [Watt] | Note 1 |
| IDD | IDD Current | - | - | 166 | [mA] | Note 1 |
| IRush | Inrush Current | - | - | 2000 | [mA] | Note 2 |
| VDDrp | Allowable Logic/LCD Drive Ripple Voltage | - | - | 100 | [mV] p-p | |

Note 1 : Maximum Measurement Condition : Black Pattern at 3.3V driving voltage. ($P_{max}=V_{3.3} \times I_{black}$)

Note 2 : Measure Condition



Vin rising time



Product Specification

AU OPTRONICS CORPORATION

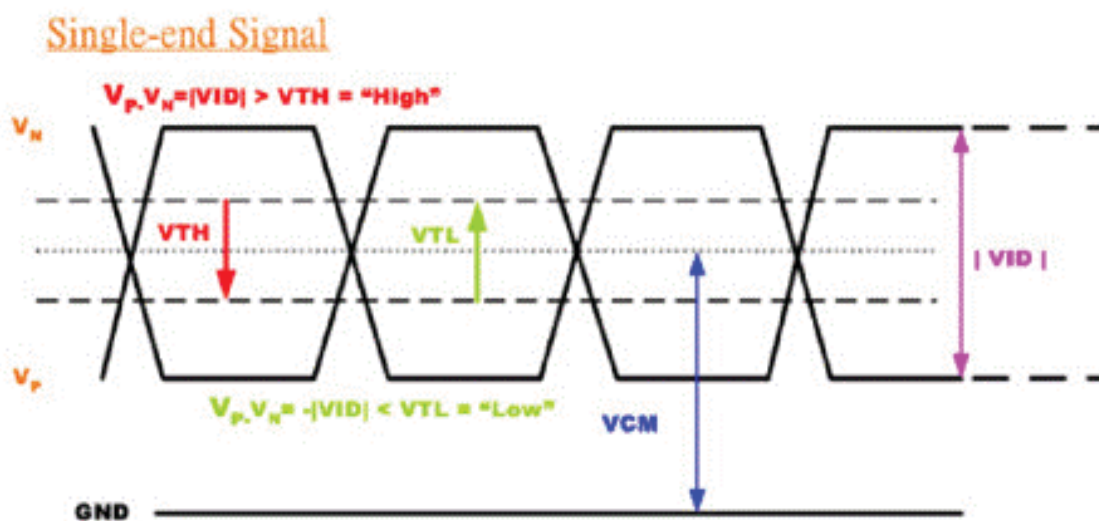
5.1.2 Signal Electrical Characteristics

Input signals shall be low or High-impedance state when VDD is off.

Signal electrical characteristics are as follows;

| Parameter | Condition | Min | Max | Unit |
|------------|--|-------|-------|------|
| V_{TH} | Differential Input High Threshold ($V_{cm}=+1.2V$) | | 100 | [mV] |
| V_{TL} | Differential Input Low Threshold ($V_{cm}=+1.2V$) | -100 | - | [mV] |
| $ V_{ID} $ | Differential Input Voltage | 100 | 600 | [mV] |
| V_{CM} | Differential Input Common Mode Voltage | 1.125 | 1.375 | [V] |

Note: LVDS Signal Waveform





Product Specification

AU OPTRONICS CORPORATION

5.2 Backlight Unit

5.2.1 LED characteristics

| Parameter | Symbol | Min | Typ | Max | Units | Condition |
|-----------------------------|--------|-------|-----|-----|--------|-------------------------------|
| Backlight Power Consumption | PLED | - | - | 2.8 | [Watt] | (Ta=25°C), Note 1 Vin =12V |
| LED Life-Time | N/A | 15000 | - | - | Hour | (Ta=25°C), Note 2 If=20 mA |

Note 1: Calculator value for reference $P_{LED} = V_F$ (Normal Distribution) * I_F (Normal Distribution) / Efficiency

Note 2: The LED life-time define as the estimated time to 50% degradation of initial luminous.

5.2.2 Backlight input signal characteristics

| Parameter | Symbol | Min | Typ | Max | Units | Remark |
|-----------------------------|---------|-----|------|------|--------|--|
| LED Power Supply | VLED | 6.0 | 12.0 | 21.0 | [Volt] | Define as Connector Interface (Ta=25°C) |
| LED Enable Input High Level | VLED_EN | 2.5 | - | 5.5 | [Volt] | |
| LED Enable Input Low Level | | - | - | 0.8 | [Volt] | |
| PWM Logic Input High Level | VPWM_EN | 2.5 | - | 5.5 | [Volt] | |
| PWM Logic Input Low Level | | - | - | 0.8 | [Volt] | |
| PWM Input Frequency | FPWM | 200 | 1K | 10K | Hz | |
| PWM Duty Ratio | Duty | 5 | -- | 100 | % | |



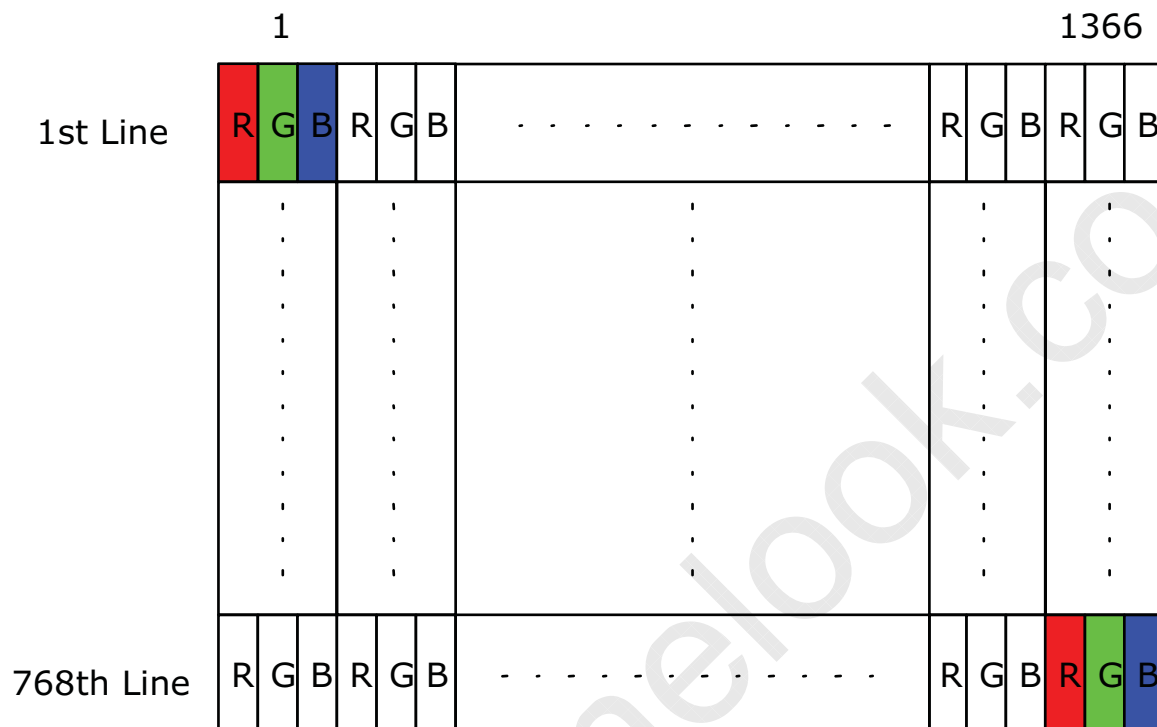
Product Specification

AU OPTRONICS CORPORATION

6. Signal Interface Characteristic

6.1 Pixel Format Image

Following figure shows the relationship of the input signals and LCD pixel format.





Product Specification

AU OPTRONICS CORPORATION

6.2 Integration Interface Requirement

6.2.1 Connector Description

Physical interface is described as for the connector on module.

These connectors are capable of accommodating the following signals and will be following components.

| Connector Name / Designation | For Signal Connector |
|------------------------------|-----------------------------------|
| Manufacturer | IPEX or compatible |
| Type / Part Number | IPEX 20455-040E-12R or compatible |
| Mating Housing/Part Number | IPEX 20453-040T-01 or compatible |

6.2.2 Pin Assignment

LVDS is a differential signal technology for LCD interface and high speed data transfer device.

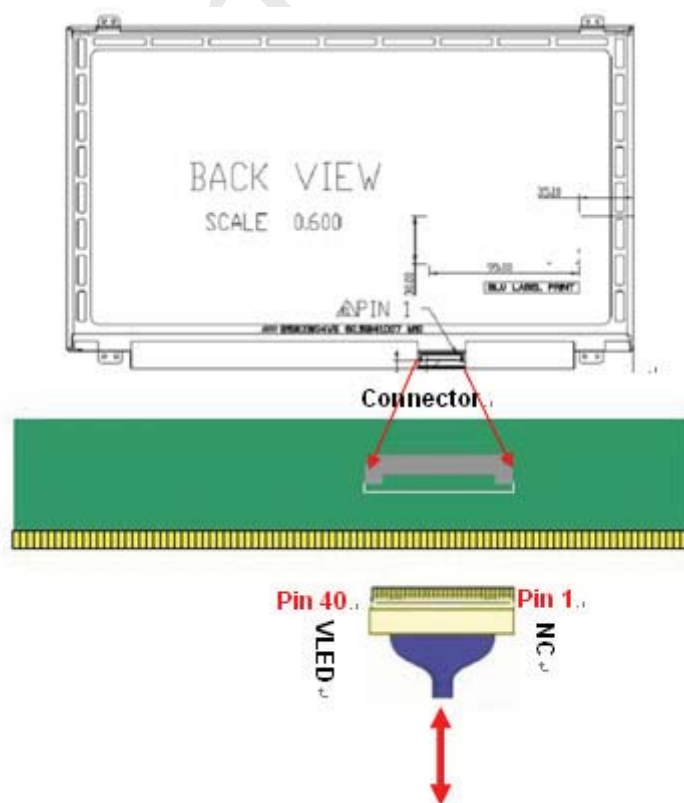
| PIN# | Signal Name | Description |
|------|-------------|---|
| 1 | NC | No Connection (Reserve) |
| 2 | VDD | Power Supply +3.3V |
| 3 | VDD | Power Supply +3.3V |
| 4 | VEDID | EDID +3.3V Power |
| 5 | NC | No Connect (Reserve) |
| 6 | CLK_EDID | EDID Clock Input |
| 7 | DAT_EDID | EDID Data Input |
| 8 | RxOIN0- | -LVDS Differential Data INPUT(Odd R0-R5,G0) |
| 9 | RxOIN0+ | +LVDS Differential Data INPUT(Odd R0-R5,G0) |
| 10 | VSS | Ground |
| 11 | RxOIN1- | -LVDS Differential Data INPUT(Odd G1-G5,B0-B1) |
| 12 | RxOIN1+ | +LVDS Differential Data INPUT(Odd G1-G5,B0-B1) |
| 13 | VSS | Ground |
| 14 | RxOIN2- | -LVDS Differential Data INPUT(Odd B2-B5,HS,VS,DE) |
| 15 | RxOIN2+ | +LVDS Differential Data INPUT(Odd B2-B5,HS,VS,DE) |
| 16 | VSS | Ground |
| 17 | RxOCKIN- | -LVDS Odd Differential Clock INPUT |
| 18 | RxOCKIN+ | +LVDS Odd Differential Clock INPUT |
| 19 | NC | No connection (Reserve) |
| 20 | NC | No connection |
| 21 | NC | No connection |



Product Specification

AU OPTRONICS CORPORATION

| | | |
|----|----------|-------------------------|
| 22 | GND | Ground-Shield |
| 23 | NC | No connection |
| 24 | NC | No connection |
| 25 | GND | Ground-Shield |
| 26 | NC | No connection |
| 27 | NC | No connection |
| 28 | GND | Ground-Shield |
| 29 | NC | No connection |
| 30 | NC | No connection |
| 31 | VLED_GND | LED Ground |
| 32 | VLED_GND | LED Ground |
| 33 | VLED_GND | LED Ground |
| 34 | NC | No Connection (Reserve) |
| 35 | VPWM_EN | PWM logic input level |
| 36 | VLED_EN | LED enable input level |
| 37 | NC | No connection (Reserve) |
| 38 | VLED | LED Power Supply |
| 39 | VLED | LED Power Supply |
| 40 | VLED | LED Power Supply |



Note1 : start from right side

Note2 : Input signals shall be low or High-impedance state when VDD is off.



Product Specification

AU OPTRONICS CORPORATION

6.3 Interface Timing

6.3.1 Timing Characteristics

Basically, interface timings should match the 1366x768 /60Hz manufacturing guide line timing.

| Parameter | Symbol | Min. | Typ. | Max. | Unit | |
|--------------------|-----------------------|-----------------|------|------|--------|--------------------|
| Frame Rate | - | - | 60 | - | Hz | |
| Clock frequency | 1/ T _{Clock} | 65 | 72 | 80 | MHz | |
| Vertical Section | Period | T _V | 780 | 790 | 768+A | T _{Line} |
| | Active | T _{VD} | 768 | | | |
| | Blanking | T _{VB} | 12 | 22 | A | |
| Horizontal Section | Period | T _H | 1426 | 1426 | 1366+B | T _{Clock} |
| | Active | T _{HD} | 1366 | | | |
| | Blanking | T _{HB} | 60 | 96 | B | |

Note 1 : The above is as optimized setting

Note 2 : DE mode only

Note 3 : The maximum clock frequency = (1366+B)*(768+A)*60<80MHz

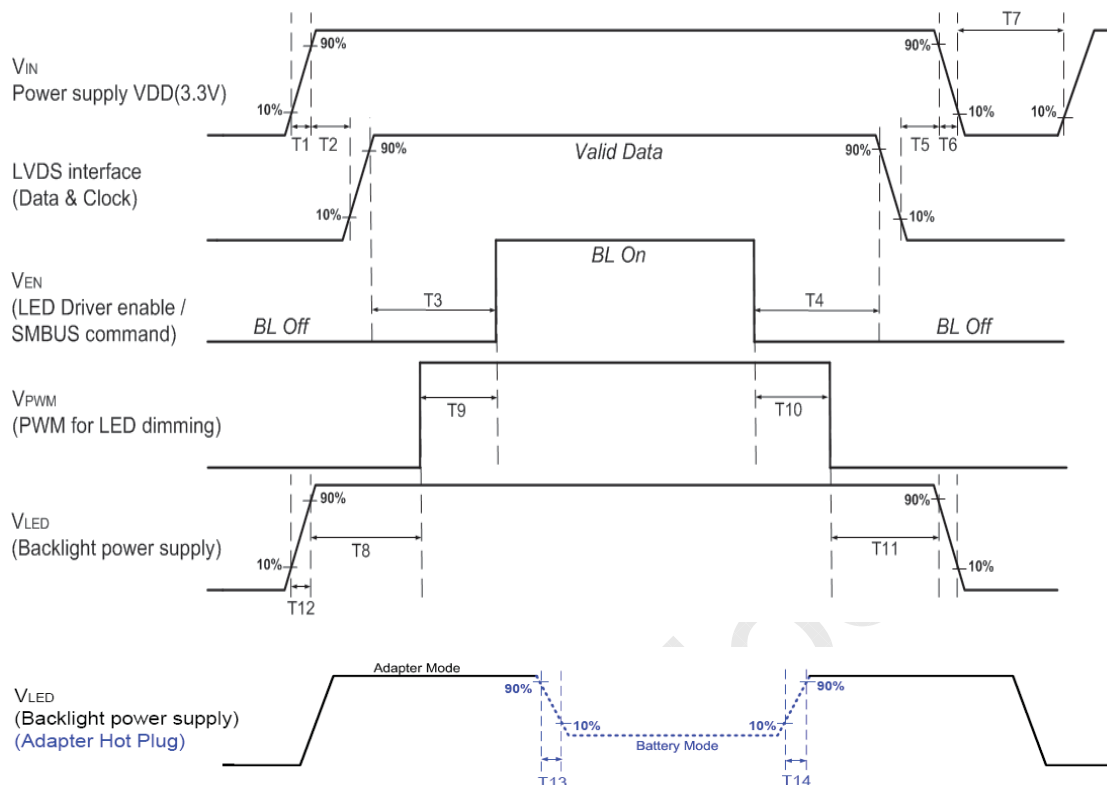


Product Specification

AU OPTRONICS CORPORATION

6.4 Power sequence

Power on/off sequence is as follows. Interface signals and LED on/off sequence are also shown in the chart. Signals from any system shall be Hi-Z state or low level when VDD is off



| Power Sequence Timing | | | |
|-----------------------|-------|------|-------|
| Parameter | Value | | Units |
| | Min. | Max. | |
| T1 | 0.5 | 10 | ms |
| T2 | 0 | 50 | |
| T3 | 200 | - | |
| T4 | 200 | - | |
| T5 | 0 | 50 | |
| T6 | 0 | 10 | |
| T7 | 500 | - | |
| T8 | 10 | - | |
| T9 | 10 | - | |
| T10 | 10 | - | |
| T11 | 10 | - | |
| T12 | 0.5 | 10 | |
| T13 | 1* | - | |
| T14 | 1* | - | |

Note 1 : If T3<200ms, the display garbage may occur. (T3>200ms is recommended)

Note 2 : If T1 or T12<0.5ms, the inrush current may cause the damage of fuse. If T1 or T12<0.5ms, the inrush current I_{2t} is under typical melt of fuse Spec, there is no mentioned problem.



Product Specification

AU OPTRONICS CORPORATION

7. Panel Reliability Test

7.1 Vibration Test

Test Spec:

- Test method: Non-Operation
- Acceleration: 1.5 G
- Frequency: 10 - 500Hz Random
- Sweep: 30 Minutes each Axis (X, Y, Z)

7.2 Shock Test

Test Spec:

- Test method: Non-Operation
- Acceleration: 220 G , Half sine wave
- Active time: 2 ms
- Pulse: X,Y,Z .one time for each side

7.3 Reliability Test

| Items | Required Condition | Note |
|----------------------------|--|--------|
| Temperature Humidity Bias | Ta= 40°C, 90%RH, 300h | |
| High Temperature Operation | Ta= 50°C, Dry, 300h | |
| Low Temperature Operation | Ta= 0°C, 300h | |
| High Temperature Storage | Ta= 60°C, 35%RH, 300h | |
| Low Temperature Storage | Ta= -20°C, 50%RH, 250h | |
| Thermal Shock Test | Ta=-20°C to 60°C, Duration at 30 min, 100 cycles | |
| ESD | Contact : ±8 KV Air : ±15 KV | Note 1 |

Note1: According to EN 61000-4-2 , ESD class B: Some performance degradation allowed.

Self-recoverable.

No data lost, No hardware failures.

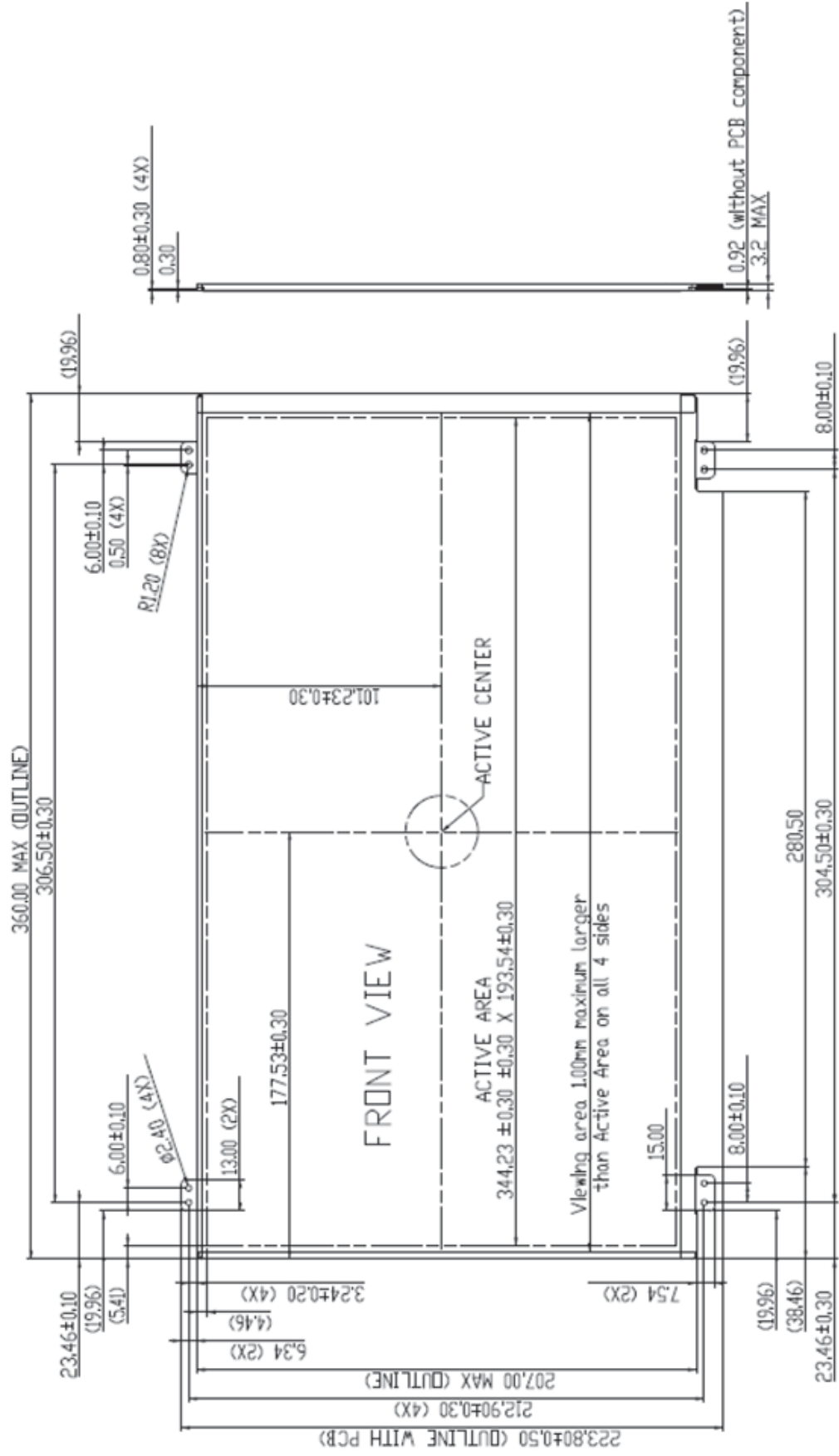
Remark: MTBF (Excluding the LED): 30,000 hours with a confidence level 90%

8. Mechanical Characteristics

8.1 LCM Outline Dimension

8.1.1 Standard Front View

The drawing following 2D standard drawing and remark.

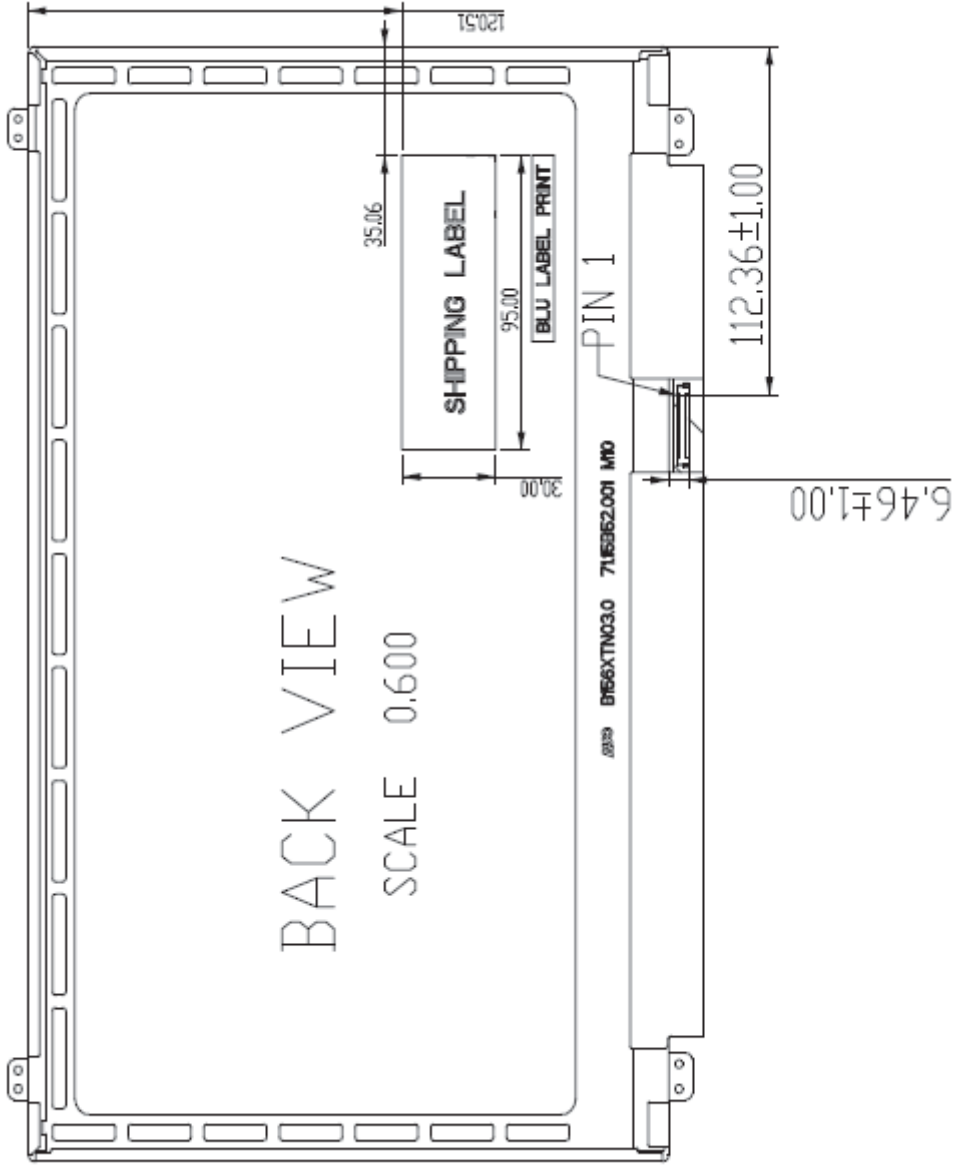




Product Specification

AU OPTRONICS CORPORATION

8.1.2 Standard Rear View





Product Specification

AU OPTRONICS CORPORATION

9. Shipping and Package

9.1 Shipping Label Format

| | | |
|--|--|--|
|  XXXXXXXXXXXX-XXXXXX | Manufactured AAA/WWW Model No: B156XTN03.2 AU Optronics MADE IN CHINA (S01) H/W: 1A F/W: 1 | c   E204356   |
|  CT:CCPXF01XXXXXXXX | | |

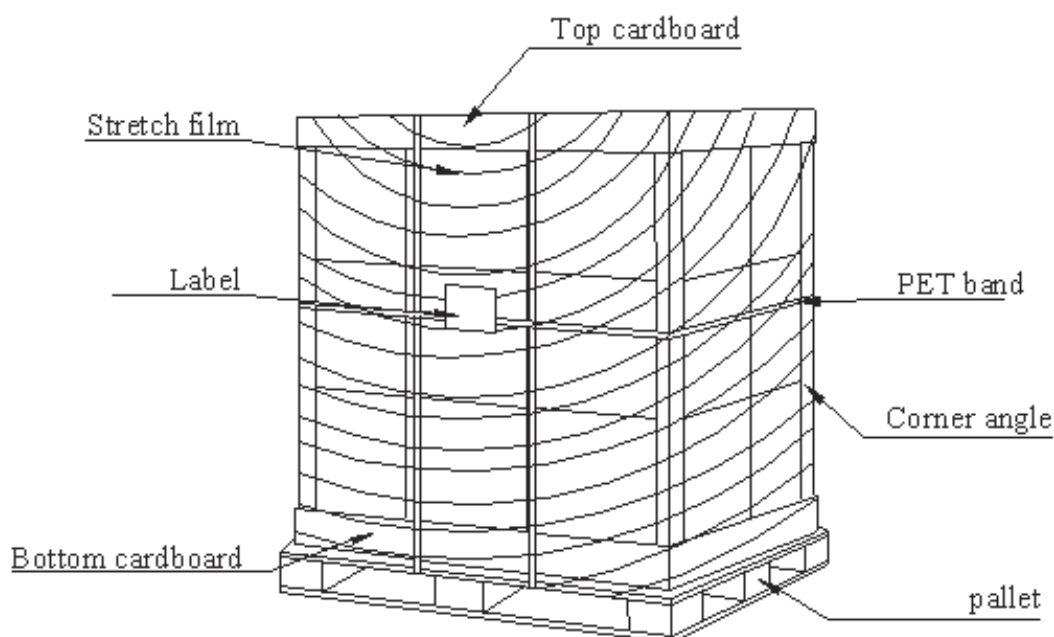
www.panelook.com



Product Specification

AU OPTRONICS CORPORATION

9.3 Shipping Package of Palletizing Sequence



10. Appendix: EDID Description

| Address | FUNCTION | Value | Value | Value | Note |
|---------|----------------------|-------|----------|-------|------|
| HEX | | HEX | BIN | DEC | |
| 00 | Header | 00 | 00000000 | 0 | |
| 01 | | FF | 11111111 | 255 | |
| 02 | | FF | 11111111 | 255 | |
| 03 | | FF | 11111111 | 255 | |
| 04 | | FF | 11111111 | 255 | |
| 05 | | FF | 11111111 | 255 | |
| 06 | | FF | 11111111 | 255 | |
| 07 | | 00 | 00000000 | 0 | |
| 08 | EISA Manuf. Code LSB | 06 | 00000110 | 6 | |
| 09 | Compressed ASCII | AF | 10101111 | 175 | |
| 0A | Product Code | EC | 11101100 | 236 | |
| 0B | hex, LSB first | 32 | 00110010 | 50 | |
| 0C | 32-bit ser # | 00 | 00000000 | 0 | |
| 0D | | 00 | 00000000 | 0 | |
| 0E | | 00 | 00000000 | 0 | |
| 0F | | 00 | 00000000 | 0 | |
| 10 | Week of manufacture | 00 | 00000000 | 0 | |



Product Specification

AU OPTRONICS CORPORATION

| | | | | | |
|----|--|----|----------|-----|--|
| 11 | Year of manufacture | 15 | 00010101 | 21 | |
| 12 | EDID Structure Ver. | 01 | 00000001 | 1 | |
| 13 | EDID revision # | 04 | 00000100 | 4 | |
| 14 | Video input def. (digital I/P, non-TMDS, CRGB) | 90 | 10010000 | 144 | |
| 15 | Max H image size (rounded to cm) | 22 | 100010 | 34 | |
| 16 | Max V image size (rounded to cm) | 13 | 00010011 | 19 | |
| 17 | Display Gamma (=gamma*100)-100 | 78 | 01111000 | 120 | |
| 18 | Feature support (no DPMS, Active OFF, RGB, tmg Blk#1) | 02 | 00000010 | 2 | |
| 19 | Red/green low bits (Lower 2:2:2:2 bits) | BB | 10111011 | 187 | |
| 1A | Blue/white low bits (Lower 2:2:2:2 bits) | F5 | 11110101 | 245 | |
| 1B | Red x (Upper 8 bits) | 94 | 10010100 | 148 | |
| 1C | Red y/ highER 8 bits | 55 | 01010101 | 85 | |
| 1D | Green x | 54 | 01010100 | 84 | |
| 1E | Green y | 90 | 10010000 | 144 | |
| 1F | Blue x | 27 | 00100111 | 39 | |
| 20 | Blue y | 23 | 00100011 | 35 | |
| 21 | White x | 50 | 01010000 | 80 | |
| 22 | White y | 54 | 01010100 | 84 | |
| 23 | Established timing 1 | 00 | 00000000 | 0 | |
| 24 | Established timing 2 | 00 | 00000000 | 0 | |
| 25 | Established timing 3 | 00 | 00000000 | 0 | |
| 26 | Standard timing #1 | 01 | 00000001 | 1 | |
| 27 | | 01 | 00000001 | 1 | |
| 28 | Standard timing #2 | 01 | 00000001 | 1 | |
| 29 | | 01 | 00000001 | 1 | |
| 2A | Standard timing #3 | 01 | 00000001 | 1 | |
| 2B | | 01 | 00000001 | 1 | |
| 2C | Standard timing #4 | 01 | 00000001 | 1 | |
| 2D | | 01 | 00000001 | 1 | |
| 2E | Standard timing #5 | 01 | 00000001 | 1 | |
| 2F | | 01 | 00000001 | 1 | |
| 30 | Standard timing #6 | 01 | 00000001 | 1 | |
| 31 | | 01 | 00000001 | 1 | |
| 32 | Standard timing #7 | 01 | 00000001 | 1 | |
| 33 | | 01 | 00000001 | 1 | |
| 34 | Standard timing #8 | 01 | 00000001 | 1 | |
| 35 | | 01 | 00000001 | 1 | |
| 36 | Pixel Clock/10000 LSB | CE | 11001110 | 206 | |
| 37 | Pixel Clock/10000 USB | 1D | 00011101 | 29 | |



Product Specification

AU OPTRONICS CORPORATION

| | | | | | |
|----|--|----|----------|-----|-------------------|
| 38 | Horz active Lower 8bits | 56 | 01010110 | 86 | |
| 39 | Horz blanking Lower 8bits | C0 | 11000000 | 192 | |
| 3A | HorzAct:HorzBlnk Upper 4:4 bits | 50 | 01010000 | 80 | |
| 3B | Vertical Active Lower 8bits | 00 | 00000000 | 0 | |
| 3C | Vertical Blanking Lower 8bits | 30 | 00110000 | 48 | |
| 3D | Vert Act : Vertical Blanking (upper 4:4 bit) | 30 | 00110000 | 48 | |
| 3E | HorzSync. Offset | 08 | 00001000 | 8 | |
| 3F | HorzSync.Width | 0A | 00001010 | 10 | |
| 40 | VertSync.Offset : VertSync.Width | 31 | 00110001 | 49 | |
| 41 | Horz&Vert Sync Offset/Width Upper 2bits | 00 | 00000000 | 0 | |
| 42 | Horizontal Image Size Lower 8bits | 58 | 01011000 | 88 | |
| 43 | Vertical Image Size Lower 8bits | C1 | 11000001 | 193 | |
| 44 | Horizontal & Vertical Image Size (upper 4:4 bits) | 10 | 00010000 | 16 | |
| 45 | Horizontal Border (zero for internal LCD) | 00 | 00000000 | 0 | |
| 46 | Vertical Border (zero for internal LCD) | 00 | 00000000 | 0 | |
| 47 | Signal (non-intr, norm, no stereo, sep sync, neg pol) | 18 | 00011000 | 24 | |
| 48 | Pixel Clock/10,000 (LSB) | DF | 11011111 | 223 | 40Hz frame rate |
| 49 | Pixel Clock/10,000 (MSB) | 13 | 00010011 | 19 | |
| 4A | Horizontal Addressable Pixels, lower 8 bits | 56 | 01010110 | 86 | |
| 4B | Horizontal Blanking Pixels, lower 8 bits | C0 | 11000000 | 192 | |
| 4C | H Pixels, upper nibble : H Blanking, upper nibble | 50 | 01010000 | 80 | |
| 4D | Vertical Addressable Lines, lower 8 bits | 00 | 00000000 | 0 | |
| 4E | Vertical Blanking Lines, lower 8 bits | 30 | 00110000 | 48 | |
| 4F | V lines, upper nibble : V blanking, upper nibble | 30 | 00110000 | 48 | |
| 50 | Horizontal Front Porch, lower 8 bits | 08 | 00001000 | 8 | |
| 51 | Horizontal Sync Pulse, lower 8 bits | 0A | 00001010 | 10 | |
| 52 | V Front Porch, lower nibble : V Sync Pulse, lower nibble | 31 | 00110001 | 49 | |
| 53 | VFP, 2 bits: VSP 2 bits: HFP 2 bits: HFP 2 bits | 00 | 00000000 | 0 | |
| 54 | Horizontal Image Size in mm, lower 8 bits | 58 | 01011000 | 88 | |
| 55 | Vertical Image Size in mm, lower 8 bits | C1 | 11000001 | 193 | |
| 56 | H Image Size, upper nibble : V Image Size, upper nibble | 10 | 00010000 | 16 | |
| 57 | Horizontal Border | 00 | 00000000 | 0 | |
| 58 | Vertical Border | 00 | 00000000 | 0 | |
| 59 | Bit Encode Sync Information | 18 | 00011000 | 24 | |
| 5A | DC | 00 | 00000000 | 0 | nVDPS Reserved 00 |
| 5B | HTOTAL | 00 | 00000000 | 0 | |
| 5C | HA | 00 | 00000000 | 0 | |



Product Specification

AU OPTRONICS CORPORATION

| | | | | | |
|----|---|----|----------|-----|----------------------|
| 5D | HBL | 00 | 00000000 | 0 | |
| 5E | HFP | 00 | 00000000 | 0 | |
| 5F | HFPe | 00 | 00000000 | 0 | |
| 60 | HBP | 00 | 00000000 | 0 | |
| 61 | HB | 00 | 00000000 | 0 | |
| 62 | HSO | 00 | 00000000 | 0 | |
| 63 | HS | 00 | 00000000 | 0 | |
| 64 | VTOTAL | 00 | 00000000 | 0 | |
| 65 | VA | 00 | 00000000 | 0 | |
| 66 | VBL | 00 | 00000000 | 0 | |
| 67 | VFP | 00 | 00000000 | 0 | |
| 68 | VBP | 00 | 00000000 | 0 | |
| 69 | VB | 00 | 00000000 | 0 | |
| 6A | VSO | 00 | 00000000 | 0 | |
| 6B | VS | 00 | 00000000 | 0 | |
| 6C | Detail Timing Description #4 | 00 | 00000000 | 0 | Header |
| 6D | Flag | 00 | 00000000 | 0 | |
| 6E | Reserved | 00 | 00000000 | 0 | |
| 6F | For Brightness Table and Power Consumption | 02 | 00000010 | 2 | |
| 70 | Flag | 00 | 00000000 | 0 | |
| 71 | PWM % [7:0] @ Step 0 | 0C | 00001100 | 12 | Brightness Table |
| 72 | PWM % [7:0] @ Step 5 | 33 | 00110011 | 51 | |
| 73 | PWM % [7:0] @ Step 10 | F9 | 11111001 | 249 | |
| 74 | Nits [7:0] @ Step 0 | 0A | 00001010 | 10 | |
| 75 | Nits [7:0] @ Step 5 | 3C | 00111100 | 60 | |
| 76 | Nits [7:0] @ Step 10 | 64 | 01100100 | 100 | |
| 77 | Panel Electronics Power @ 32x32 Chess Pattern = | 1F | 00011111 | 31 | Power Consumption |
| 78 | Backlight Power @ 60 nits = | 14 | 00010100 | 20 | |
| 79 | Backlight Power @ Step 10 = | 22 | 00100010 | 34 | |
| 7A | Nits @ 100% PWM Duty = | 6E | 01101110 | 110 | |
| 7B | Flag | 20 | 00100000 | 32 | |
| 7C | Flag | 20 | 00100000 | 32 | |
| 7D | Flag | 20 | 00100000 | 32 | |
| 7E | Extension Flag | 00 | 00000000 | 0 | |
| 7F | Checksum | E7 | 11100111 | 231 | |