



ELECTRONICS

Approval

TO : Sharp
DATE : Jan 16, 2002

SAMSUNG TFT-LCD
MODEL NO. : LTN150P1-L04

NOTE :

Any Modification of Spec is not allowed without SEC's permission.

PREPARED BY :

Technical Customer Service Team
Application Engineering 1Group

SAMSUNG ELECTRONICS CO., LTD.



Doc.No.	LTN150P1-L04	Rev.No	04 - 004 - G - 001227	Page	1 /28
---------	--------------	--------	-----------------------	------	-------

CONTENTS

Revision History	-----	(3)
General Description	-----	(4)
1. Absolute Maximum Ratings	-----	(5)
1.1 Absolute Ratings Of Environment		
1.2 Electrical Absolute Ratings		
2. Optical Characteristics	-----	(7)
3. Electrical Characteristics	-----	(10)
3.1 TFT LCD Module		
3.2 Back-light Unit		
4. Block Diagram	-----	(13)
4.1 TFT LCD Module		
4.2 Back-light Unit		
5. Input Terminal Pin Assignment	-----	(14)
5.1 Input Signal & Power		
5.2 LVDS Interface		
5.3 Back-light Unit		
5.4 Timing Diagrams of LVDS For Transmitting		
5.5 Input Signals, Basic Display Colors and Gray Scale of Each Color.		
5.6 Pixel format.		
6. Interface Timing	-----	(20)
6.1 Timing Parameters		
6.2 Timing Diagrams of interface Signal		
6.3 Power ON/OFF Sequence		
7. Outline Dimension	-----	(23)
8. Packing	-----	(24)
9. Markings & others	-----	(25)
10. General Precautions	-----	(27)

Revision History

Approval

Date	Rev.No.	Page	Summary
Apr.01.1999	000		LTN150P1-L04 SXGA -Plus(1400X1050 pixel) Model was First Issued.
Apr.20,1999	001	7 12 20 23	White Color Chromaticity:(0.313),(0.329) → (0.310), (0.340) Lamp frequency : (50)kHz → (40)kHz Interface Timing chart is updated Outline dimension is updated
Dec.04,1999	002	10 20 23 26	Update power consumption Update timing parameters Update Mechanical Drawing Add marking & others and packing
Jun.13,2000	003	22 27	Update power sequence Update Marking & Others
Dec.27,2000	004	7 10 11 12	Correct the CR min Data : 150 → 180 Correct the 13 point white variation Data : 2.0 → 1.75 Correct the Power Consumption : Max 675mA Correct the max power consumption pattern : "2 dot Inversion Pattern" Correct the Back-light unit Data sheet Change the Lamp Wire Color - GND Wire : White → Yellow

GENERAL DESCRIPTION

DESCRIPTION

LTN150P1-L04 is a color active matrix TFT (Thin Film Transistor) liquid crystal display (LCD) that uses amorphous silicon TFT as a switching devices. This model is composed of a TFT LCD panel, a driver circuit and a back-light system. The resolution of a 15.0" contains 1400 x 1050 pixels and can display up to 262,144 colors. 6 o'clock direction is the optimum viewing angle.

FEATURES

- Thin and light weight
- High contrast ratio
- SXGA-Plus (1400x1050 pixels) resolution
- Low power consumption
- DE (Data enable) only mode.
- LVDS Interface with 2 pixel / clock (2 channel)

APPLICATIONS

- Notebook PC and desktop monitors
- Display terminals for AV application products
- Monitors for Industrial machine
- If the usage of this product is not for PC application, but for others, please contact SEC.

GENERAL INFORMATION

ITEM	SPECIFICATION	UNIT	NOTE
Display area	304.5(H) x 228.375(V) (15.0" diagonal)	mm	
Driver element	a-Si TFT active matrix		
Display colors	262,144		
Number of pixel	1400 x 1050 (SXGA-Plus)	pixel	
Pixel arrangement	RGB vertical stripe		
Pixel pitch	0.2175(H) x 0.2175(V) (TYP.)	mm	
Display Mode	Normally white		
Surface treatment	HAZE 25, HARD-COATING 3H		

MECHANICAL INFORMATION

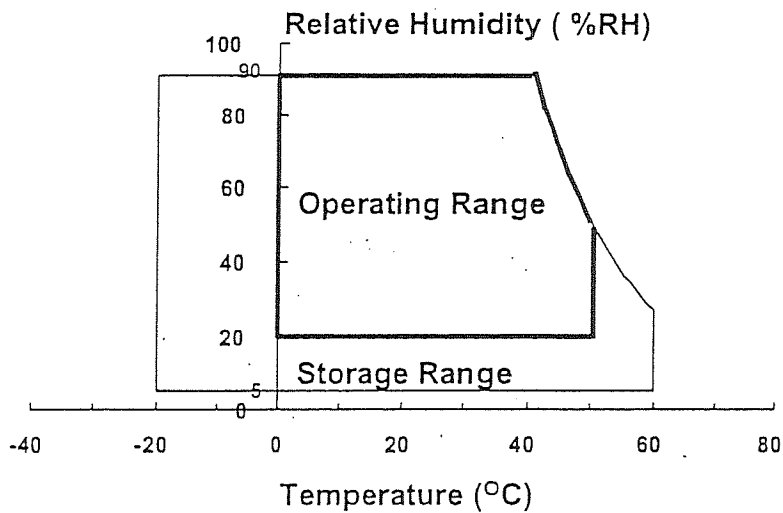
ITEM		MIN.	TYP.	MAX.	NOTE
Module size	Horizontal (H)	315.3	315.8	316.3	
	Vertical (V)	240.1	240.6	241.1	
	Depth (D)	6.5	7.0	7.5	
Weight		-	685	700	

1. ABSOLUTE MAXIMUM RATINGS

1.1 ABSOLUTE RATINGS OF ENVIRONMENT

ITEM	SYMBOL	MIN.	MAX.	UNIT	NOTE
Storage temperature	T _{STG}	-20	60	°C	(1)
Operating temperature (Temperature of glass surface)	T _{OPR}	0	50	°C	(1)
Shock (non-operating)	S _{nop}	-	220	G	(2),(4)
Vibration (non-operating)	V _{nop}	-	1.5	G	(3),(4)

Note (1) Temperature and relative humidity range are shown in the figure below.
 90 % RH Max. (40 °C ≥ Ta)
 Maximum wet - bulb temperature at 39 °C or less. (Ta > 40 °C) No condensation.



- (2) 2ms, half sine wave, one time for ± X, ± Y, ± Z.
- (3) 10 - 300 Hz, Sweep rate 10 min, 30min for X,Y,Z.
- (4) At testing Vibration and Shock, the fixture in holding the Module to be tested have to be hard and rigid enough so that the Module would not be twisted or bent by the fixture.

1.2 ELECTRICAL ABSOLUTE RATINGS

(1) TFT LCD MODULE

(V_{SS} = GND = 0 V)

ITEM	SYMBOL	MIN.	MAX.	UNIT	NOTE
Power Supply Voltage	V _{DD}	V _{SS} -0.3	4.0	V	(1)
Logic Input Voltage	V _{IN}	V _{SS} -0.3	V _{DD} +0.3	V	(1)

NOTE (1) Within Ta = 25 ± 2 °C

(2) BACK-LIGHT UNIT

Ta = 25 ± 2 °C

ITEM	SYMBOL	MIN.	MAX.	UNIT.	NOTE
Lamp current	I _L	3.0	7.0	mA _{rms}	(1)
Lamp frequency	FL	50	80	KHz	(1)

NOTE (1) Permanent damage to the device may occur if maximum values are exceeded.
Functional operation should be restricted to the conditions described under Normal Operating Conditions.

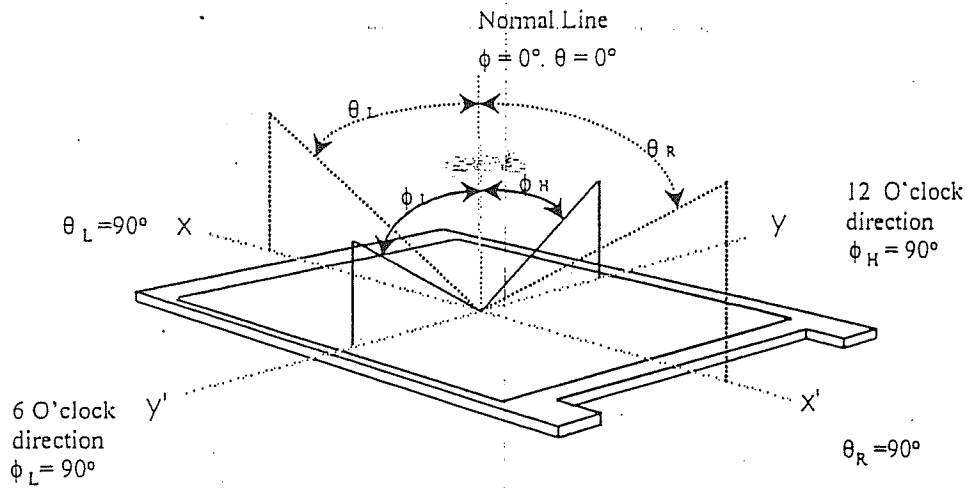
2. OPTICAL CHARACTERISTICS

The following items are measured under stable conditions. The optical characteristics should be measured in a dark room or equivalent state with the methods shown in Note(5).
Measuring equipment : TOPCON BM-5A

* Ta = 25 ± 2°C , VDD=3.3V, fv= 60Hz, fclk=54MHz, IL = (6.0) mA

ITEM		SYMBOL	CONDITION	MIN.	TYP.	MAX.	UNIT	NOTE	
Contrast Ratio (5 Points)		CR	$\phi = 0,$ $\theta = 0$ Normal Viewing Angle	180	200	-		(1), (2), (5)	
Response Time at Ta	Rising	TR		-	10	20	msec	(1), (3)	
	Falling	TF		-	30	50			
Average Luminance of White (5 Points)		Y _{LAVE}			110	140	-	cd/m ²	(1), (4)
Color Chromaticity (CIE)	Red	R _x			0.542	0.572	0.602	Measured by PR 650	(1), (5)
		R _y			0.308	0.338	0.368		
	Green	G _x			0.288	0.318	0.348		
		G _y			0.499	0.529	0.559		
	Blue	B _x			0.125	0.155	0.185		
		B _y			0.124	0.154	0.184		
	White	W _x		0.280	0.310	0.340			
		W _y		0.310	0.340	0.370			
Viewing Angle	Hor.	θ_L	CR(at center point) ≥ 10	40	-	-	Degrees		
		θ_R		40	-	-			
	Ver.	ϕ_H		15	-	-			
		ϕ_L		30	-	-			
13 Points White Variation		δW		-	-	1.75		(6)	

Note 1) Definition of Viewing Angle : Viewing angle range($10 \leq C/R$)

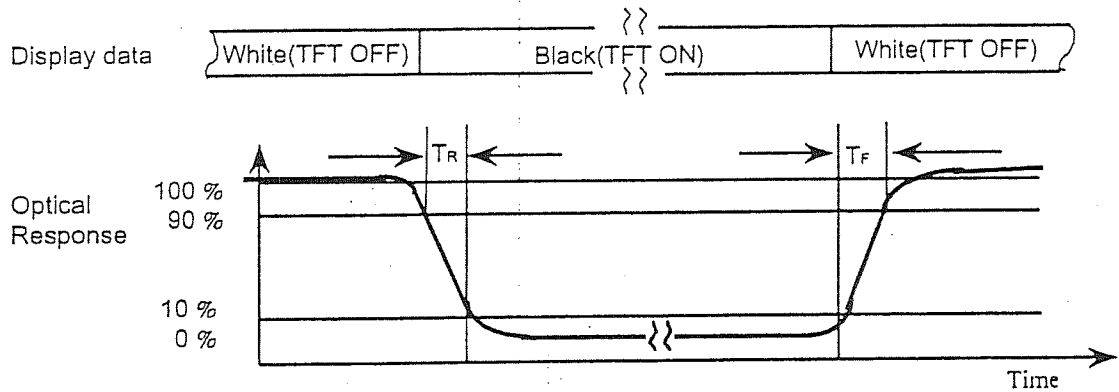


Note 2) Definition of Contrast Ratio (CR) : Ratio of gray max (Gmax) ,gray min (Gmin) at 5 points(4, 5, 7, 9, 10)

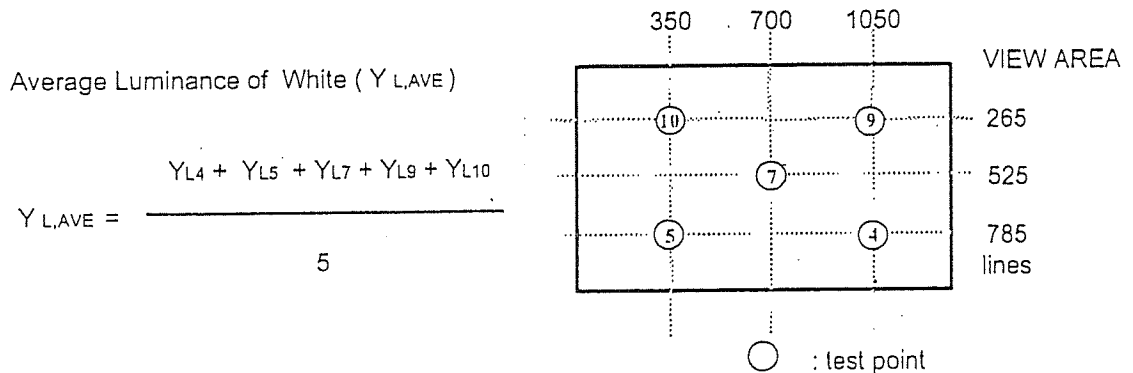
$$CR = \frac{CR(4) + CR(5) + CR(7) + CR(9) + CR(10)}{5}$$

POINTS : (4) , (5) , (7) , (9) , (10) at FIGURE OF NOTE 6)

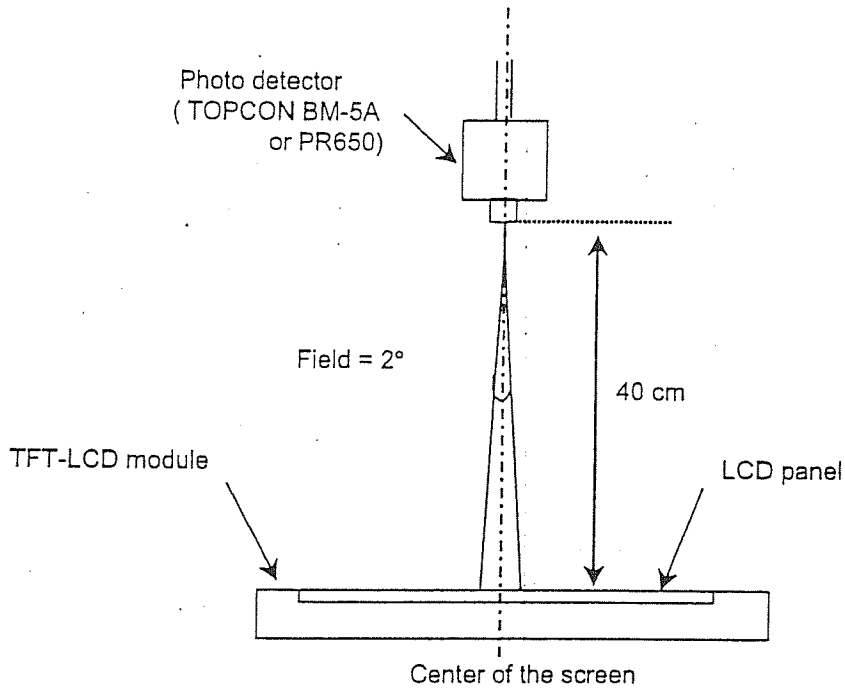
Note 3) Definition of Response time :



Note 4) Definition of Average Luminance of White : measure the luminance of white at 5 points.



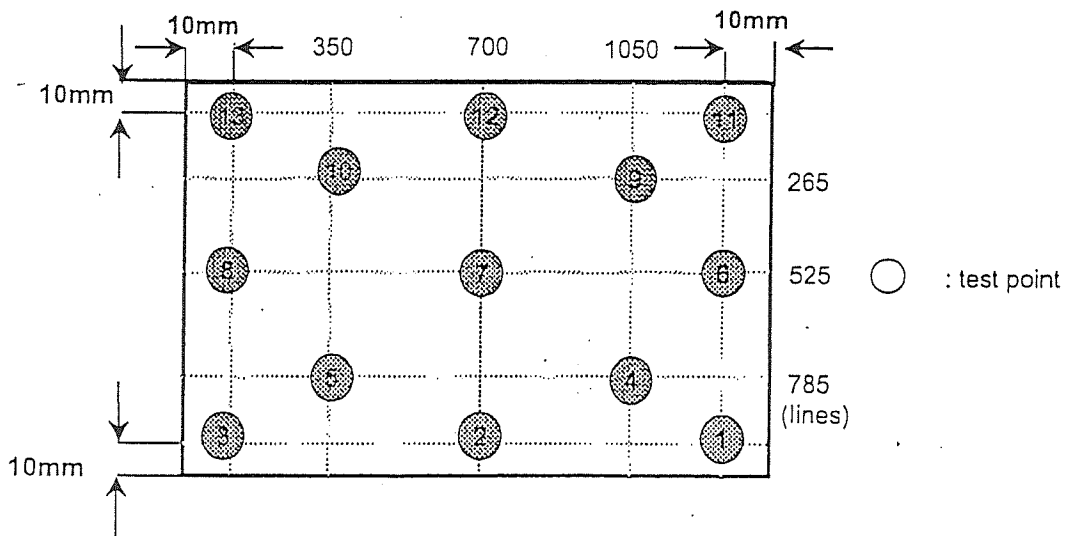
Note 5) After stabilizing and leaving the panel alone at a given temperature for 30 minutes, the measurement should be executed. Measurement should be executed in a stable, windless, and dark room. 30 minutes after lighting the back-light. This should be measured in the center of screen.
 Lamp current : (6.0) mA
 Environment condition : $T_a = 25 \pm 2 \text{ } ^\circ\text{C}$



Optical characteristics measurement setup

Note 6) Definition of 13 points white variation (δw), [① ~ ⑬]

$$\delta w = \frac{\text{Maximum luminance of 13 points}}{\text{Minimum luminance of 13 points}}$$



3. ELECTRICAL CHARACTERISTICS

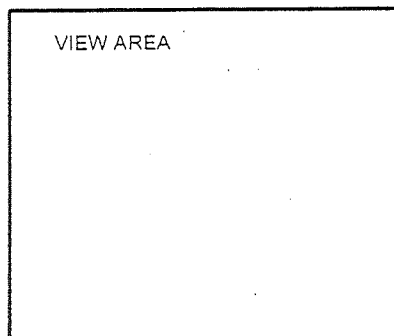
3.1 TFT LCD MODULE

Ta = 25 ± 2 °C

ITEM	SYMBOL	MIN	TYP	MAX	UNIT	NOTE	
Voltage of Power Supply	V _{DD}	3.0	3.3	3.6	V		
Differential Input Voltage for LVDS Receiver Threshold	High	V _{IH}	-	-	+100	mV	(1)
	Low	V _{IL}	-100	-	-	mV	
Vsync Frequency	f _v	-	60	-	Hz		
Hsync Frequency	f _H	-	63.98	-	KHz		
Main Frequency	f _{DCLK}	-	54	-	MHz		
Rush Current	I _{RUSH}	-	-	1.5	A	(4)	
Current of Power Supply	White	I _{DD}	-	365	-	mA	(2),(3)
	Mosaic		-	410	-	mA	(2),(3)
	2 dot Inv.		-	575	675	mA	(2),(3)

- Note (1) Condition : V_{CM}=+1.2V(Common mode Voltage)
 (2) f_v=60Hz, f_{DCLK} =54MHZ, V_{DD} = 3.3V , DC Current.
 (3) 1 pixel /clock
 (4) Power dissipation check pattern

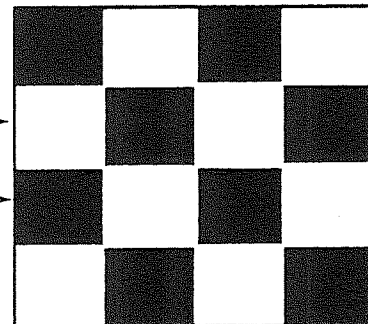
*a) White Pattern



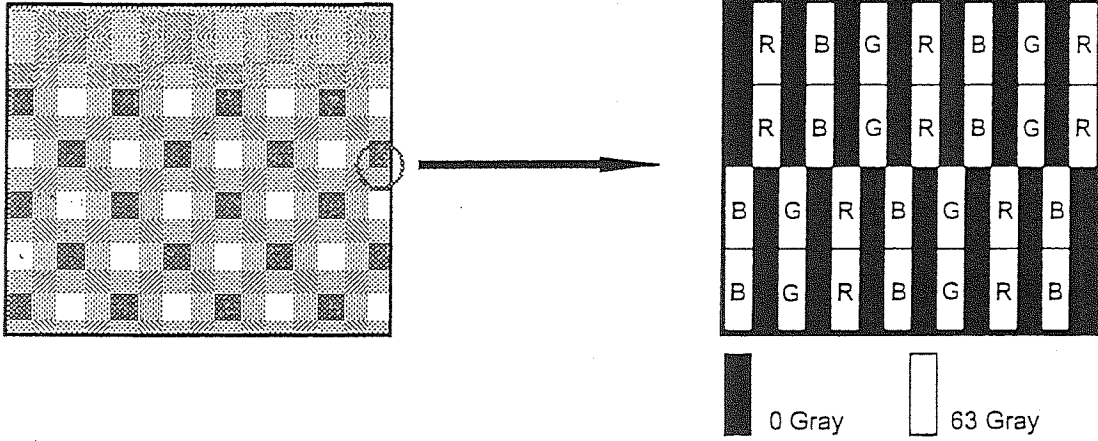
*b)Mosaic Pattern

Display Brightest Gray Level →

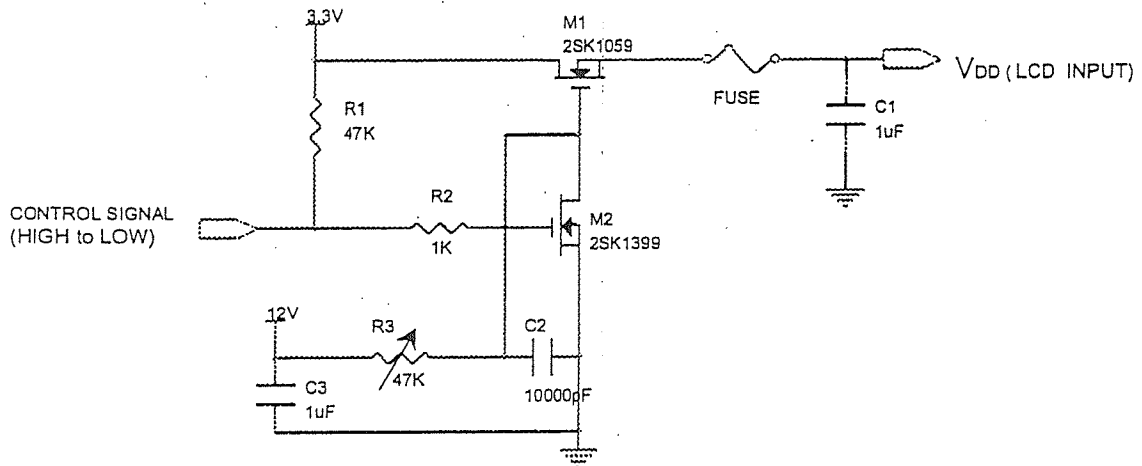
Display Darkest Gray Level →



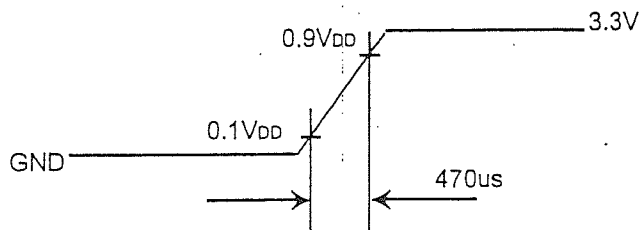
*c) Max Pattern (2 dot Inversion)



5) Rush current measurement condition



V_{DD} rising time is 470us



3.2 BACKLIGHT UNIT

The back-light system is an edge - lighting type with a single CCFT (Cold Cathode Fluorescent Tube).
The characteristics of a single lamp are shown in the following tables.

INVERTER : SEM SIC-130T

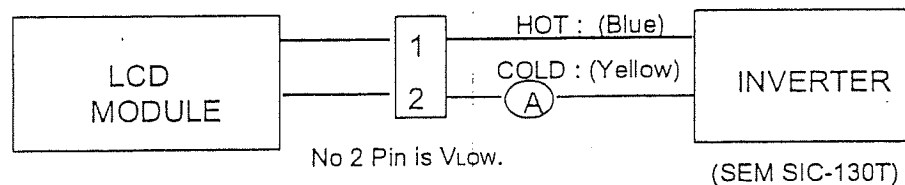
Ta = 25 ± 2°C

ITEM	SYMBOL	MIN	TYP	MAX	UNIT	NOTE
Lamp Current	I_L	3.0	6.0	6.5	mArms	(1)
Lamp Voltage	V_L		660		V_{rms}	$I_L=6.0mA$
Frequency	f_L	50	60	80	kHz	(2)
Power Consumption	P_L	-	4.0	-	W	(3)
Lamp Operating Life Time	Hr	10,000	-	-	Hour	(4)
Startup Voltage	V_s	-	-	1350 (25°C)	V_{rms}	(5)
				1500 (0 °C)		

Note) The waveform of the inverter output voltage must be area symmetric and the design of the inverter must have specifications for the modularized lamp.

The performance of the back-light, for example life time or brightness, is much influenced by the characteristics of the DC-AC inverter for the lamp. So all the parameters of an inverter should be carefully designed so as not to produce too much leakage current from high-voltage output of the inverter. When you design or order the inverter, please make sure that a poor lighting caused by the mismatch of the back-light and the inverter (miss lighting, flicker, etc.) never occur. When you confirm it, the module should be operated in the same condition as it is installed in your instrument.

Note (1) Lamp current is measured with a high frequency current meter as shown below.



(2) Lamp frequency may produce interference with horizontal synchronous frequency and this may cause line flow on the display. Therefore lamp frequency should be detached from the horizontal synchronous frequency and its harmonics as far as possible in order to avoid interference.

(3) refer to $I_L \times V_L$ to calculate.

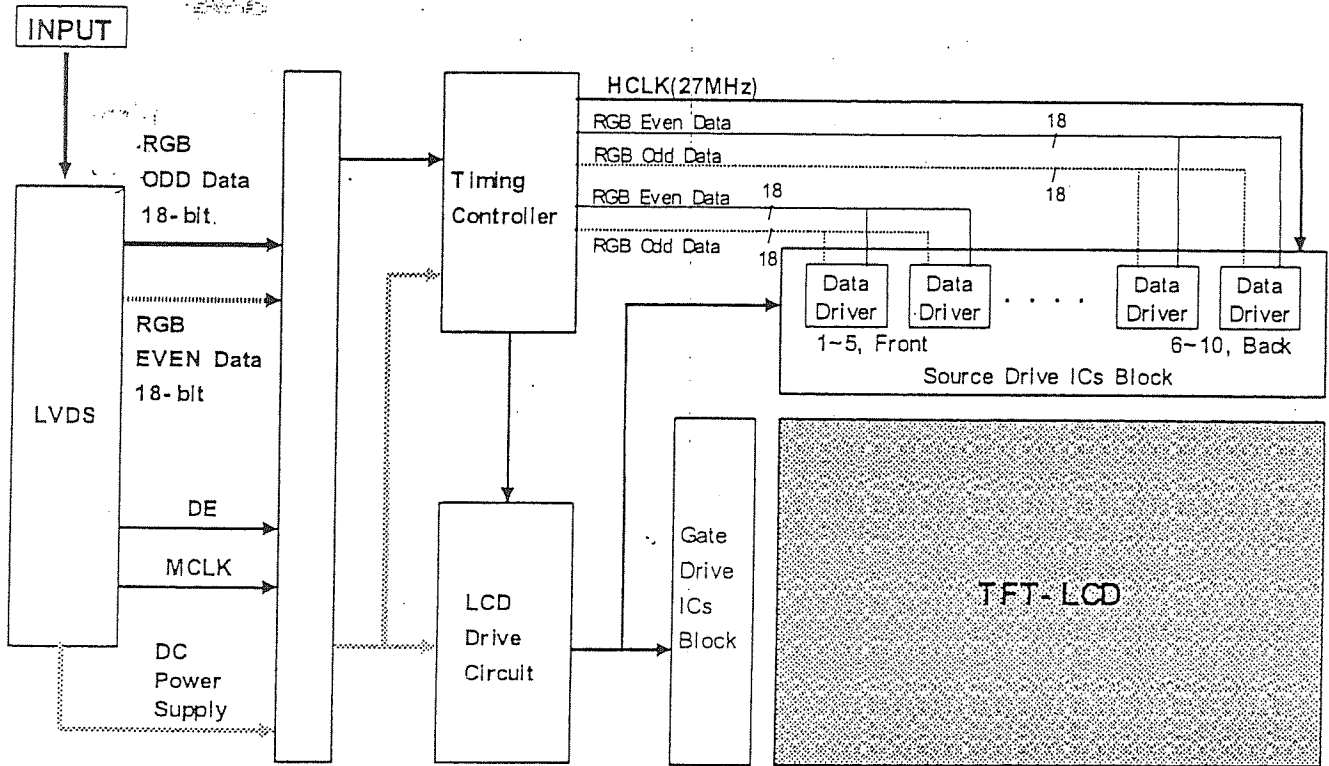
(4) Life time (Hr) of a lamp can be defined as the time in which it continues to operate under the condition $T_a = 25 \pm 2^\circ C$ and $I_L = 6.0$ mArms until one of the following event occurs.
1. When the brightness becomes 50% or lower than it's original.

(5) The voltage above this value should be applied to the lamp for more than 1 second to startup. Otherwise the lamp may not be turned on.

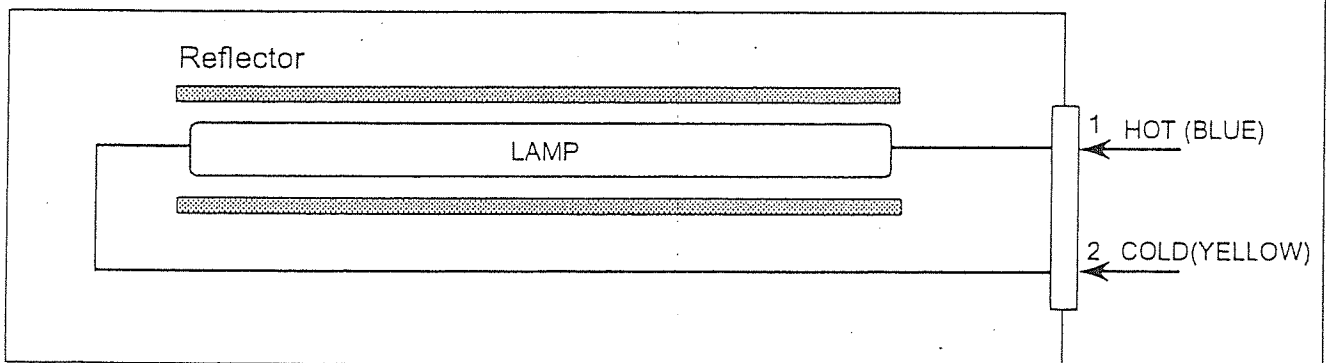
4. BLOCK DIAGRAM

4.1 TFT LCD MODULE

Connector : FI-SEB20P-HF13 or Compatible



4.2 BACKLIGHT UNIT



Note) The output of the inverter may change according to the material of the reflector.

5. INPUT TERMINAL PIN ASSIGNMENT

5.1. Input Signal & Power (LVDS, Connector : UJ-FI-SEB-20P-HF13
Mating Connector : JAE FI-SE20M-HF)

PIN NO	SYMBOL	FUNCTION	POLARITY	REMARK
1	VDD	POWER SUPPLY +3.3V		
2	VDD	POWER SUPPLY +3.3V		
3	GND	GROUND		
4	GND	GROUND		
5	O_RxIN0-	LVDS Differential Data INPUT (Odd channel 0)	Negative	
6	O_RxIN0+	LVDS Differential Data INPUT (Odd channel 0)	Positive	
7	O_RxIN1-	LVDS Differential Data INPUT (Odd channel 1)	Negative	
8	O_RxIN1+	LVDS Differential Data INPUT (Odd channel 1)	Positive	
9	O_RxIN2-	LVDS Differential Data INPUT (Odd channel 2)	Negative	
10	O_RxIN2+	LVDS Differential Data INPUT (Odd channel 2)	Positive	
11	O_RxCLK-	LVDS Differential Data INPUT (Odd Clock)	Negative	
12	O_RxCLK+	LVDS Differential Data INPUT (Odd Clock)	Positive	
13	E_RxIN0-	LVDS Differential Data INPUT (Even channel 0)	Negative	
14	E_RxIN0+	LVDS Differential Data INPUT (Even channel 0)	Positive	
15	E_RxIN1-	LVDS Differential Data INPUT (Even channel 1)	Negative	
16	E_RxIN1+	LVDS Differential Data INPUT (Even channel 1)	Positive	
17	E_RxIN2-	LVDS Differential Data INPUT (Even channel 2)	Negative	
18	E_RxIN2+	LVDS Differential Data INPUT (Even channel 2)	Positive	
19	E_RxCLK-	LVDS Differential Data INPUT (Even Clock)	Negative	
20	E_RxCLK+	LVDS Differential Data INPUT (Even Clock)	Positive	

5.2 LVDS Interface : Transmitter DS90CF363 or Compatible

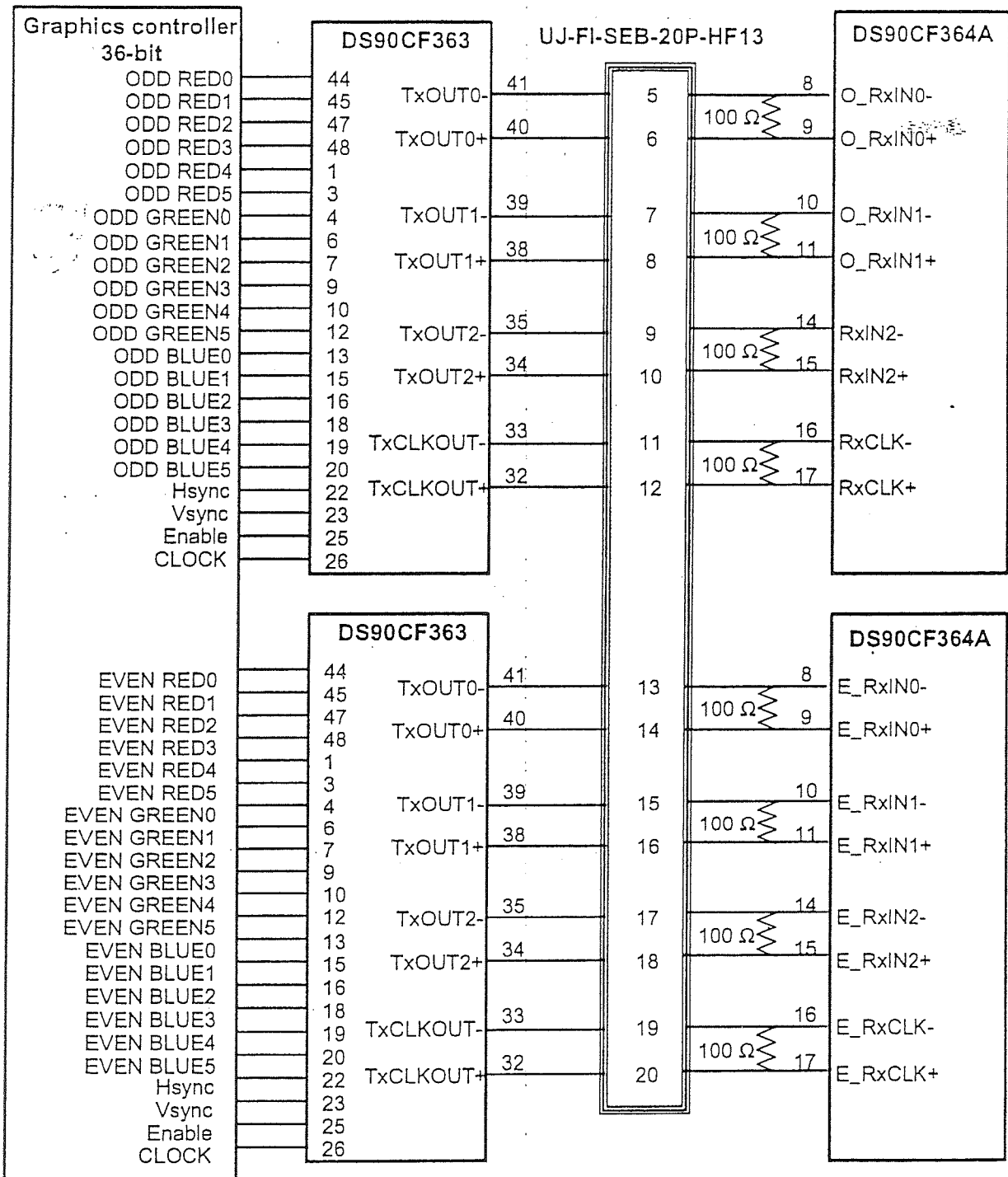
LVDS for Odd pixel

Pin No.	Name	RGB Signal	Pin No.	Name	RGB Signal
44	TxIN0	RO0	12	TxIN11	GO5
45	TxIN1	RO1	13	TxIN12	BO0
47	TxIN2	RO2	15	TxIN13	BO1
48	TxIN3	RO3	16	TxIN14	BO2
1	TxIN4	RO4	18	TxIN15	BO3
3	TxIN5	RO5	19	TxIN16	BO4
4	TxIN6	GO0	20	TxIN17	BO5
6	TxIN7	GO1	22	TxIN18	Hsync
7	TxIN8	GO2	23	TxIN19	Vsync
9	TxIN9	GO3	25	TxIN20	DE
10	TxIN10	GO4	26	TxCLK IN	Clock

LVDS for Even pixel

Pin No.	Name	RGB Signal	Pin No.	Name	RGB Signal
44	TxIN0	RE0	12	TxIN11	GE5
45	TxIN1	RE1	13	TxIN12	BE0
47	TxIN2	RE2	15	TxIN13	BE1
48	TxIN3	RE3	16	TxIN14	BE2
1	TxIN4	RE4	18	TxIN15	BE3
3	TxIN5	RE5	19	TxIN16	BE4
4	TxIN6	GE0	20	TxIN17	BE5
6	TxIN7	GE1	22	TxIN18	Hsync
7	TxIN8	GE2	23	TxIN19	Vsync
9	TxIN9	GE3	25	TxIN20	DE
10	TxIN10	GE4	26	TxCLK IN	Clock

Flat Link Interface



Note : The LCD Module uses a 100ohm resistor between positive and negative lines of each receiver input.

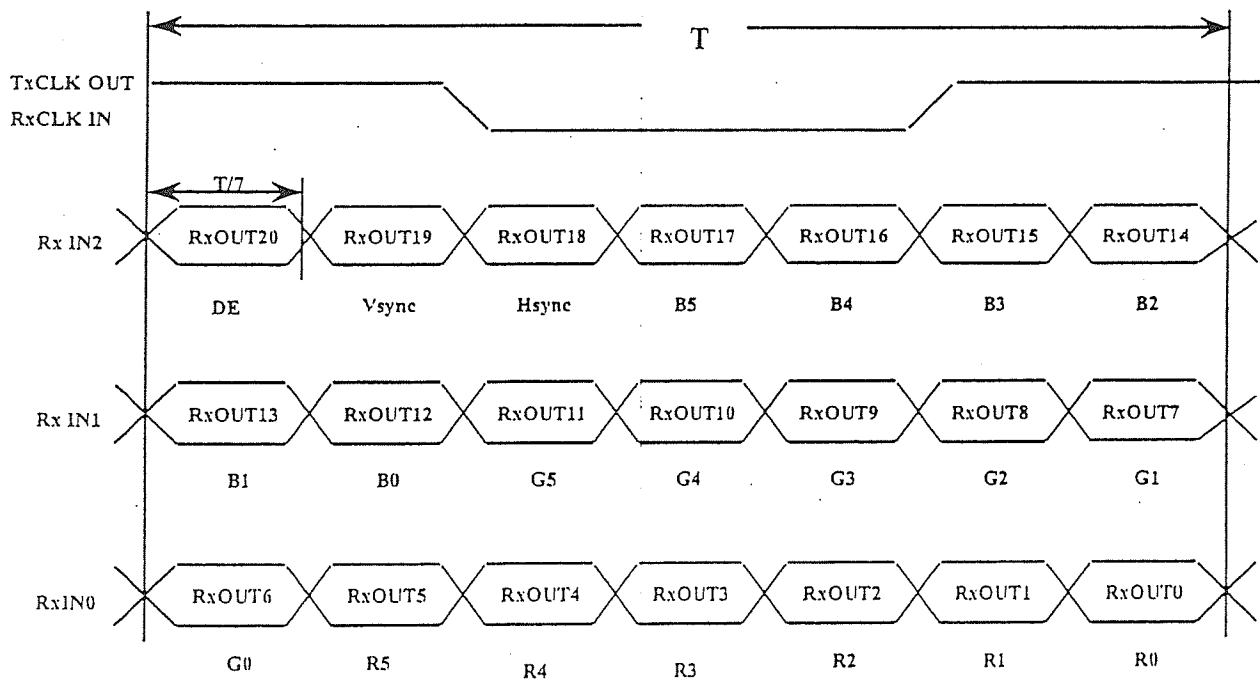
5.3 BACK LIGHT UNIT

Connector : JST BHSR - 02VS -1
 Mating Connector : JST SM02B-BHSS-1

Pin NO.	Symbol	Color	Function
1	HOT	BLUE	High Voltage
2	COLD	YELLOW	Low Voltage

5.4 Timing Diagrams of LVDS For Transmission

LVDS Receiver : DS90CF364A or Compatible



5.5 Input Signal, Basic Display Colors and Gray Scale of Each Colors

COLOR	DISPLAY	DATA SIGNAL															GRAY SCALE LEVEL				
		RED					GREEN					BLUE									
		R0	R1	R2	R3	R4	R5	G0	G1	G2	G3	G4	G5	B0	B1	B2		B3	B4	B5	
BASIC COLOR	BLACK	0	0	0	0	0	0	0	0	0	0	0	0	0	0	0	0	0	0	0	-
	BLUE	0	0	0	0	0	0	0	0	0	0	0	0	1	1	1	1	1	1	1	-
	GREEN	0	0	0	0	0	0	1	1	1	1	1	1	0	0	0	0	0	0	0	-
	CYAN	0	0	0	0	0	0	1	1	1	1	1	1	1	1	1	1	1	1	1	-
	RED	1	1	1	1	1	1	0	0	0	0	0	0	0	0	0	0	0	0	0	-
	MAGENTA	1	1	1	1	1	1	0	0	0	0	0	0	1	1	1	1	1	1	1	-
	YELLOW	1	1	1	1	1	1	1	1	1	1	1	1	0	0	0	0	0	0	0	-
	WHITE	1	1	1	1	1	1	1	1	1	1	1	1	1	1	1	1	1	1	1	-
GRAY SCALE OF RED	BLACK	0	0	0	0	0	0	0	0	0	0	0	0	0	0	0	0	0	0	0	R0
	DARK ↑	1	0	0	0	0	0	0	0	0	0	0	0	0	0	0	0	0	0	0	R1
		0	1	0	0	0	0	0	0	0	0	0	0	0	0	0	0	0	0	0	R2
	: ↑	:	:	:	:	:	:	:	:	:	:	:	:	:	:	:	:	:	:	:	R3 - R60
		:	:	:	:	:	:	:	:	:	:	:	:	:	:	:	:	:	:	:	
	↓ LIGHT	1	0	1	1	1	1	0	0	0	0	0	0	0	0	0	0	0	0	0	R61
		0	1	1	1	1	1	0	0	0	0	0	0	0	0	0	0	0	0	0	R62
	RED	1	1	1	1	1	1	0	0	0	0	0	0	0	0	0	0	0	0	0	R63
GRAY SCALE OF GREEN	BLACK	0	0	0	0	0	0	0	0	0	0	0	0	0	0	0	0	0	0	0	G0
	DARK ↑	0	0	0	0	0	0	1	0	0	0	0	0	0	0	0	0	0	0	0	G1
		0	0	0	0	0	0	0	1	0	0	0	0	0	0	0	0	0	0	0	G2
	: ↑	:	:	:	:	:	:	:	:	:	:	:	:	:	:	:	:	:	:	:	G3 - G60
		:	:	:	:	:	:	:	:	:	:	:	:	:	:	:	:	:	:	:	
	↓ LIGHT	0	0	0	0	0	0	1	0	1	1	1	1	0	0	0	0	0	0	0	G61
		0	0	0	0	0	0	0	1	1	1	1	1	0	0	0	0	0	0	0	G62
	GREEN	0	0	0	0	0	0	1	1	1	1	1	1	0	0	0	0	0	0	0	G63
GRAY SCALE OF BLUE	BLACK	0	0	0	0	0	0	0	0	0	0	0	0	0	0	0	0	0	0	0	B0
	DARK ↑	0	0	0	0	0	0	0	0	0	0	0	0	1	0	0	0	0	0	0	B1
		0	0	0	0	0	0	0	0	0	0	0	0	0	1	0	0	0	0	0	B2
	: ↑	:	:	:	:	:	:	:	:	:	:	:	:	:	:	:	:	:	:	:	B3 - B60
		:	:	:	:	:	:	:	:	:	:	:	:	:	:	:	:	:	:	:	
	↓ LIGHT	0	0	0	0	0	0	0	0	0	0	0	0	0	1	0	1	1	1	1	B61
		0	0	0	0	0	0	0	0	0	0	0	0	0	0	1	1	1	1	1	B62
	BLUE	0	0	0	0	0	0	0	0	0	0	0	0	0	1	1	1	1	1	1	B63

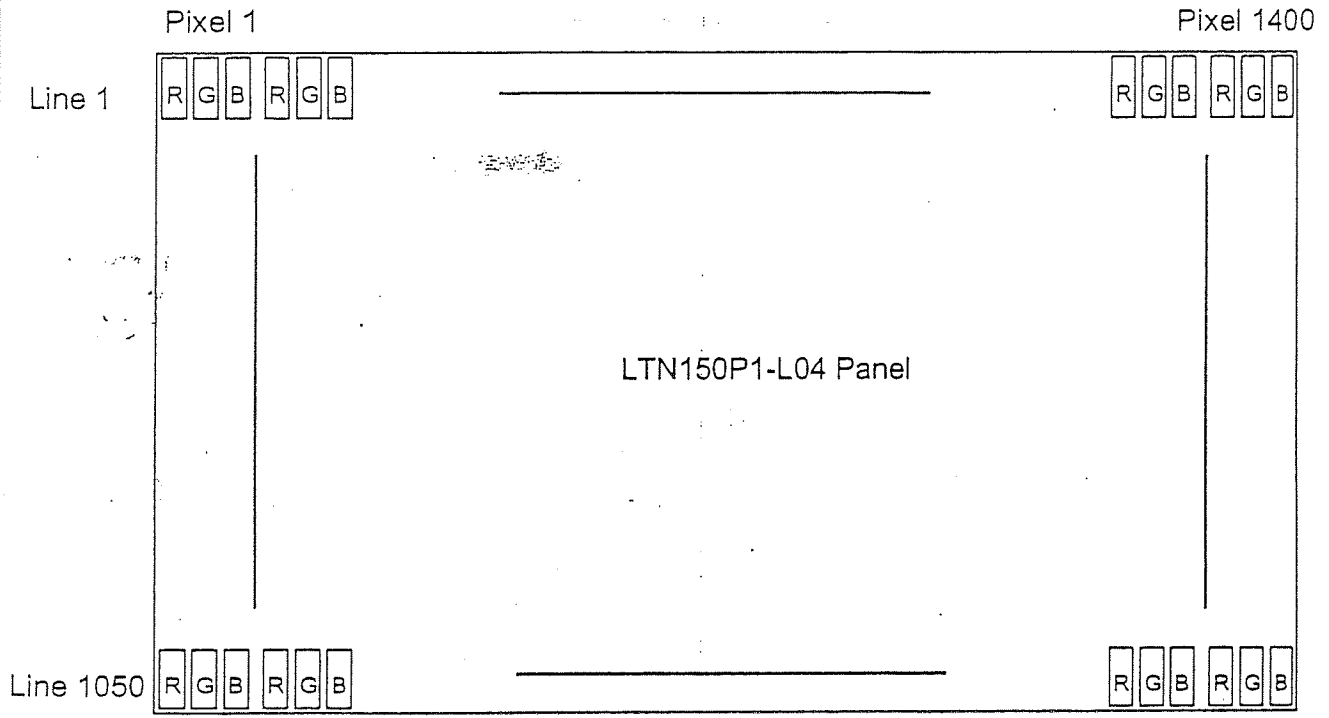
Note

(1) Definition of Gray : Rn : Red Gray, Gn : Green Gray, Bn : Blue Gray (n = Gray level)

(2) Input Signal : 0 = Low level voltage, 1 = High level voltage

5.6 PIXEL FORMAT

Approval



6. INTERFACE TIMING

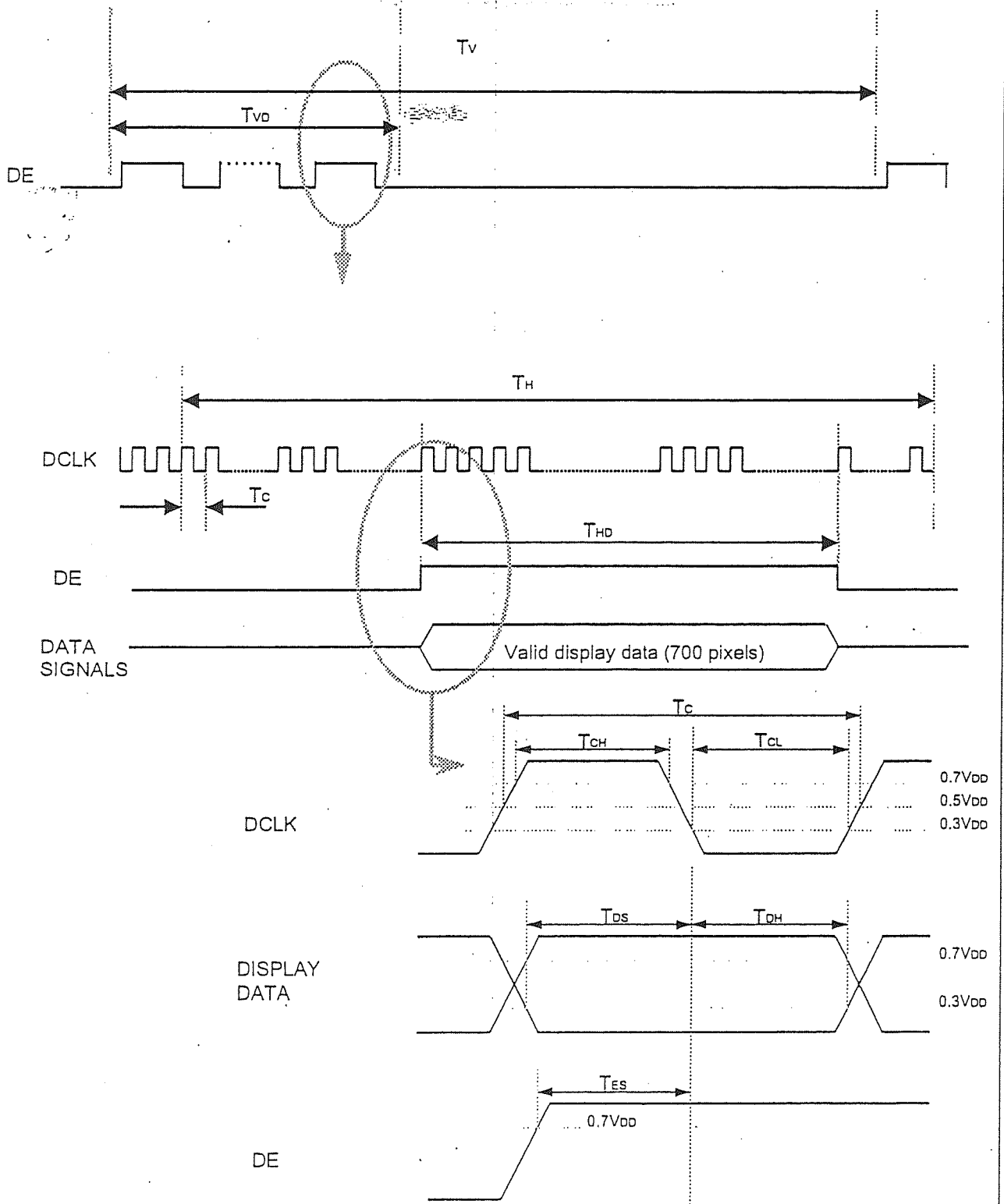
6.1 Timing Parameters

Signal	Item	Symbol	MIN	TYP	MAX	Unit	Note
Clock	Frequency	$1/T_{c}$	-	54	-	MHz	
	High Time	T_{CH}	3	-	-	nsec	
	Low Time	T_{CL}	3	-	-	nsec	
Data	Setup Time	T_{DS}	3	-	-	nsec	
	Hold Time	T_{DH}	3	-	-	nsec	
Data Enable	Setup Time	T_{ES}	3	-	-	nsec	(1)
Frame Frequency	Cycle	T_V	-	1066	-	lines	
Vertical Active Display Term	Display Period	T_{VD}	-	1050	-	lines	
One Line Scanning Time	Cycle	T_{HL}	-	844	-	clocks	(2)
Horizontal Active Display Term	Display Period	T_{HD}	-	700	-	clocks	

Note (1) When the VGA controller sets DE only mode, Hsync and Vsync should be set low logic level or ground.

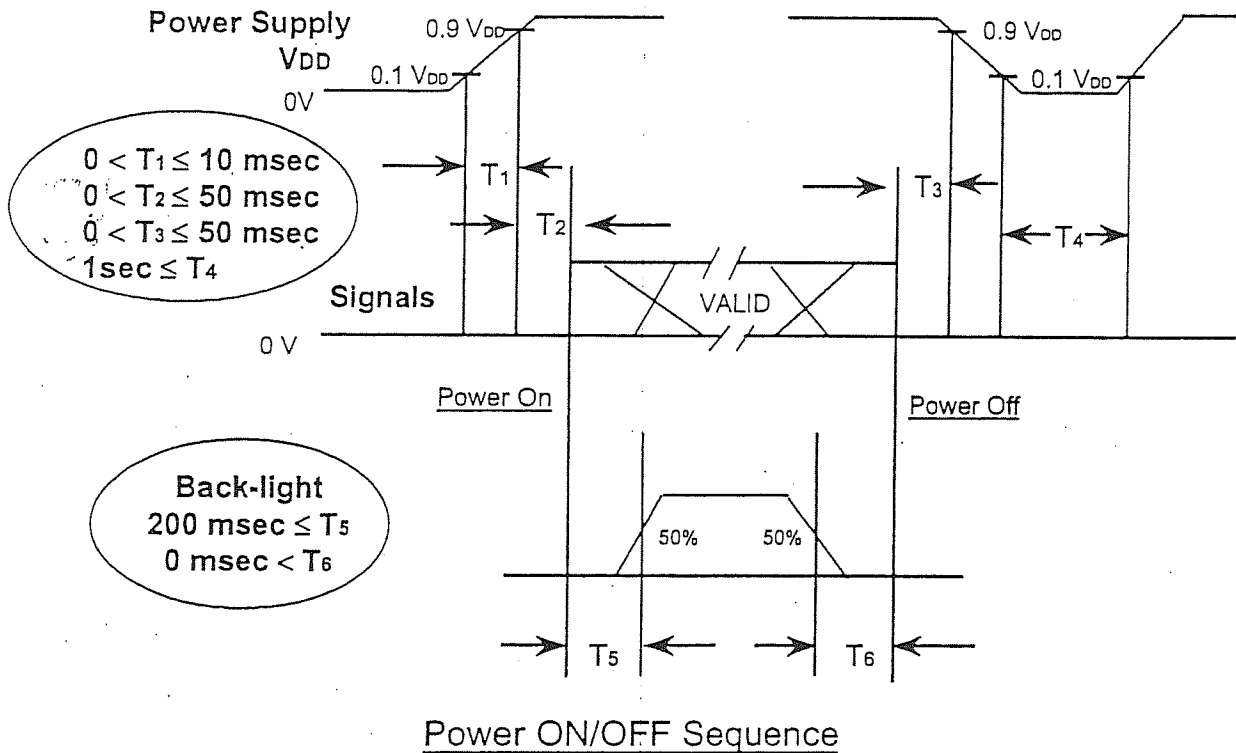
(2) The duration of DE [DTMG] signal must be longer than 1 clock period at every horizontal sync. period

6.2 Timing diagrams of interface signal



6.3 Power ON/OFF Sequence

: To prevent a latch-up or DC operation of the LCD module, the power on/off sequence should be as the diagram below.



- T1 : Vdd rising time from 10% to 90%
- T2 : The time from Vdd to valid data at power ON.
- T3 : The time from valid data off to Vdd off at power Off.
- T4 : Vdd off time for Windows restart
- T5 : The time from valid data to B/L enable at power ON.
- T6 : The time from valid data off to B/L disable at power Off.

NOTE.

- (1) The supply voltage of the external system for the module input should be the same as the definition of VDD.
- (2) Apply the lamp voltage within the LCD operation range. When the back-light turns on before the LCD operation or the LCD turns off before the back-light turns off, the display may momentarily become white.
- (3) In case of VDD = off level, please keep the level of input signals on the low or keep a high impedance.
- (4) T4 should be measured after the module has been fully discharged between power off and on period.
- (5) Interface signal shall not be kept at high impedance when the power is on.

7. Outline Dimension

Approval

Refer to the next page

8. Packing

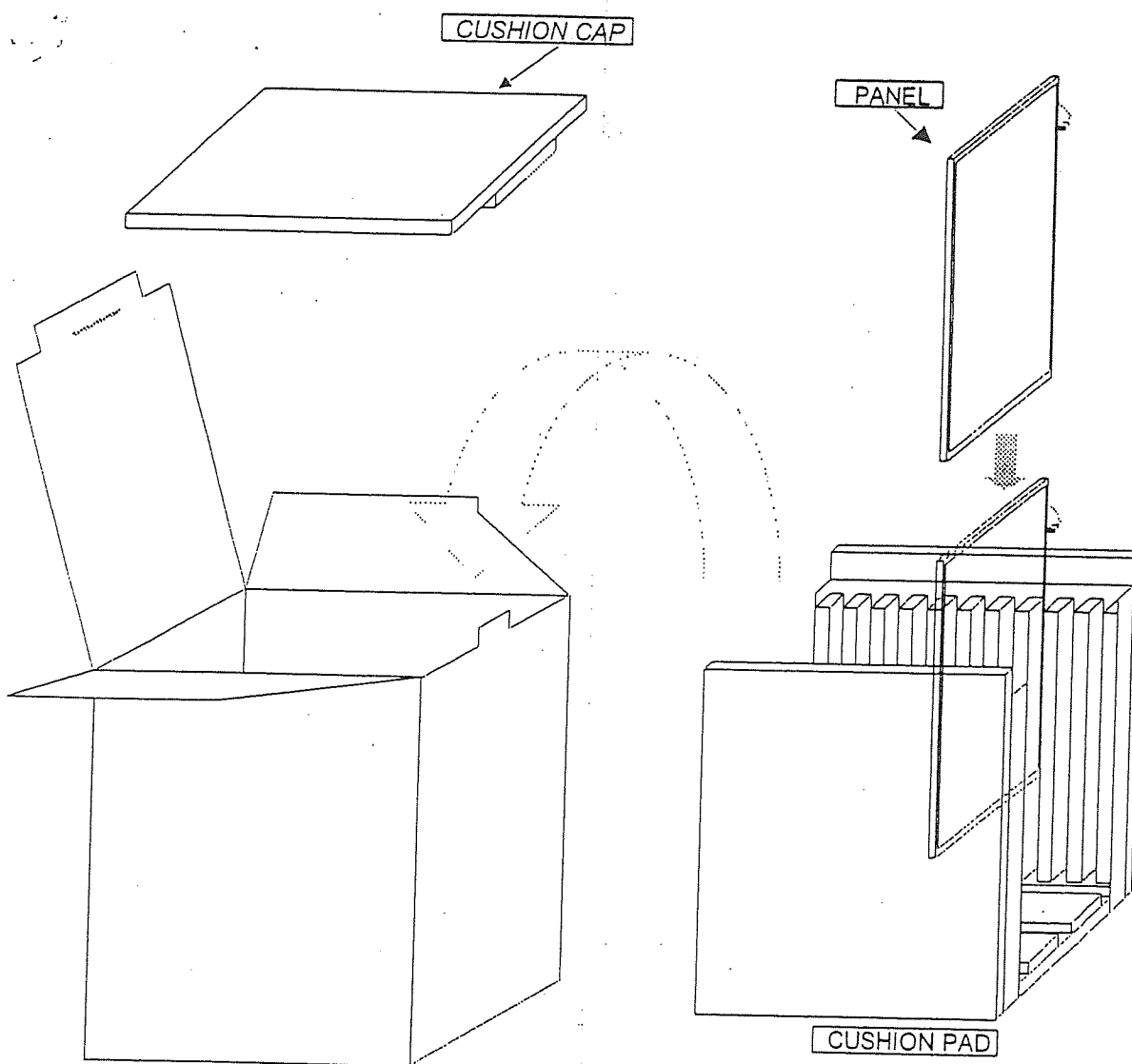
8.1 Packing

CARTON(Internal Package)

(1)Packing Form

Corrugated fiberoard box and corrugated cardboard as shock absorber

(2)Packing Method



Note (1)Acceptance number of piling : 10 sets

(2)Carton size : 380(W) X 324(D) X 410(H)

Approval

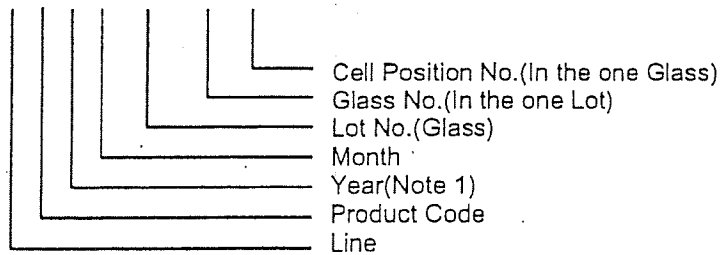
(3)Packing Material

NO.	Parts name	Quantity
1.	Static electric protective sack	10
2.	Cushion pad(inner box) included shock absorber	1 set
3.	Pictorial marking	2 pics
4.	Carton	1 set

9. MARKINGS & OTHERS

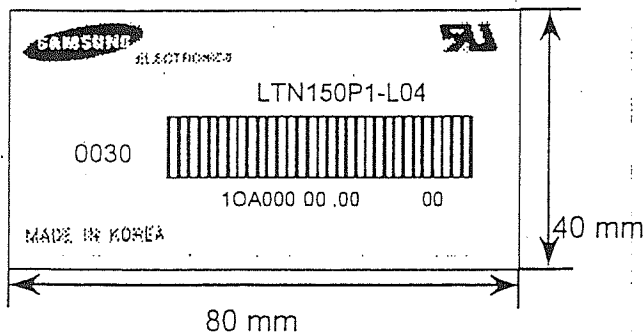
A nameplate bearing followed by is affixed to a shipped product at the specified location on each product.

- (1)Parts number : LTN150P1-L04
- (2)Revision : One letter
- (3)Control code : One letter
- (4)Lot number : 2 O 0 A XXX XX XX



NOTE 1). This code indicating year is omitted in the products of KIHENG site.

(5) Nameplate Indication



- LTN... : Parts name
- 20A... : Lot number
- 0030 : Inspected work week

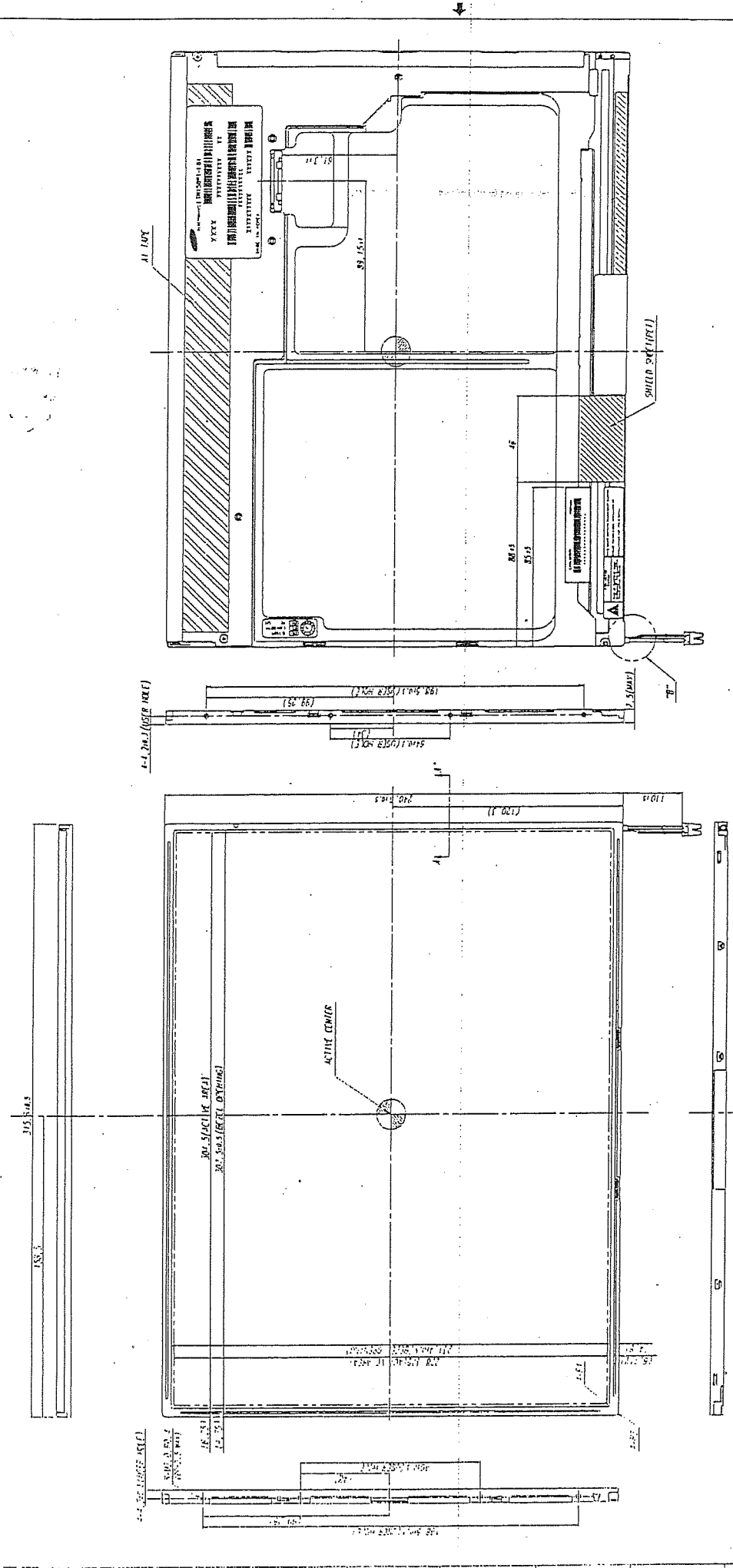
10. GENERAL PRECAUTIONS

Approval

1. Handling

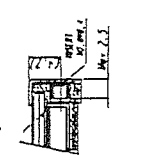
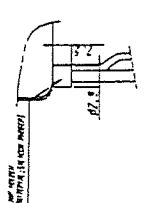
- (a) When the module is assembled, It should be attached to the system firmly using every mounting holes. Be careful not to twist and bend the modules.
- (b) Refrain from strong mechanical shock and / or any force to the module. In addition to damage, this may cause improper operation or damage to the module and CCFT back-light.
- (c) Note that polarizers are very fragile and could be easily damaged. Do not press or scratch the surface harder than a HB pencil lead.
- (d) Wipe off water droplets or oil immediately. If you leave the droplets for a long time, Staining and discoloration may occur.
- (e) If the surface of the polarizer is dirty, clean it using some absorbent cotton or soft cloth.
- (f) The desirable cleaners are water, IPA(Isopropyl Alcohol) or Hexane. Do not use Ketone type materials(ex. Acetone), Ethyl alcohol, Toluene, Ethyl acid or Methyl chloride. It might permanent damage to the polarizer due to chemical reaction.
- (g) If the liquid crystal material leaks from the panel, it should be kept away from the eyes or mouth . In case of contact with hands, legs or clothes, it must be washed away thoroughly with soap.
- (h) Protect the module from static , it may cause damage to the C-MOS Gate Array IC.
- (i) Use fingerstalls with soft gloves in order to keep display clean during the incoming inspection and assembly process.
- (j) Do not disassemble the module.
- (k) Do not pull or fold the lamp wire.
- (l) Do not adjust the variable resistor which is located on the back side.
- (m) Protection film for polarizer on the module shall be slowly peeled off just before use so that the electrostatic charge can be minimized.
- (n) Pins of I/F connector shall not be touched directly with bare hands.

REV	DATE	BY	CHKD	DESCRIPTION	QUANTITY	UNIT	REMARKS
1				1. INITIAL DRAWING			



* NOTE

1. SIGNAL INTERFACE CONNECTION TO BE SPECIFIED AS BELOW.
 - MAKER : LUDJAE (COMPATIBLE)
 - PART NO : LU-FI-SER20P-HF13 (FI-SER20P-HF : MATING)
2. CCT CONNECTION FOR HIGHLIGHT TO BE SPECIFIED AS BELOW.
 - MAKER : JST
 - PART NO : BISH-02YS-1



SEC. A-1 (10-14)

DETAIL T-1 (10-14)

GENERAL INFORMATION		DESCRIPTION OF REVISION		COCOA NO.	
TYPE	NO.	DATE	BY	NO.	DATE
REV. 1	1	10.14.14
REV. 2	2	10.14.14
REV. 3	3	10.14.14
REV. 4	4	10.14.14
REV. 5	5	10.14.14

SAUNG ELECTRONICS	CO. NO.	REV. NO.	DATE

2. STORAGE

- (a) Do not leave the module in high temperature, and high humidity for a long time. It is highly recommended to store the module with temperature from 0 to 35 °C and relative humidity of less than 70%.
- (b) Do not store the TFT-LCD module in direct sunlight.
- (c) The module shall be stored in a dark place. It is prohibited to apply sunlight or fluorescent light during the store.

3. OPERATION

- (a) Do not connect, disconnect the module in the " Power On" condition.
- (b) Power supply should always be turned on/off by following item 6.3 " Power on/off sequence ".
- (c) Module has high frequency circuits. Sufficient suppression to the electromagnetic interference shall be done by system manufacturers. Grounding and shielding methods may be important to minimize the interference.
- (d) The cable between the back-light connector and its inverter power supply shall be a minimized length and be connected directly . The longer cable between the back-light and the inverter may cause lower luminance of lamp(CCFT) and may require higher startup voltage(Vs).

4. OTHERS

- (a) Ultra-violet ray filter is necessary for outdoor operation.
- (b) Avoid condensation of water. It may result in improper operation or disconnection of electrode.
- (c) Do not exceed the absolute maximum rating value. (the supply voltage variation, input voltage variation, variation in part contents and environmental temperature, so on) Otherwise the module may be damaged.
- (d) If the module displays the same pattern continuously for a long period of time, it can be the situation when the image "sticks" to the screen.
- (e) This module has its circuitry PCB's on the rear side and should be handled carefully in order not to be stressed.