



ELECTRONICS

Approval

DATE : July. 16. 2003

SAMSUNG TFT-LCD
MODEL NO.: LTN141XA-L01



Any Modification of Spec is not allowed without SEC permission

APPROVED BY : *K. H. Shin*

PREPARED BY : Application Engineering Group

SAMSUNG ELECTRONICS CO., LTD.



SEC Confidential

Doc.No.	LTN141XA-L01	Rev.No	04-001-G-030716	Page	1 / 24
---------	--------------	--------	-----------------	------	--------

CONTENTS

Revision History	-----	(3)
General Description	-----	(4)
1. Absolute Maximum Ratings	-----	(5)
1.1 Absolute Ratings of environment		
1.2 Electrical Absolute Ratings		
2. Optical Characteristics	-----	(7)
3. Electrical Characteristics	-----	(11)
3.1 TFT LCD Module		
3.2 Backlight Unit		
4. Block Diagram	-----	(14)
4.1 TFT LCD Module		
4.2 Backlight Unit		
5. Input Terminal Pin Assignment	-----	(15)
5.1 Input Signal & Power		
5.2 LVDS Interface		
5.3 Backlight Unit		
5.4 Timing Diagrams of LVDS For Transmitting		
5.5 Input Signals, Basic Display Colors and Gray Scale of Each Color.		
5.6 Pixel format		
6. Interface Timing	-----	(20)
6.1 Timing Parameters(DE Mode)		
6.2 Timing Diagrams of interface Signal (DE Mode)		
6.3 Power ON/OFF Sequence		
7. Outline Dimension	-----	(22)
8.General Precautions	-----	(23)

SEC Confidential

REVISION HISTORY

Approval

Date	Rev.No.	Page	Summary
July.16, 2003	000	All	LTN141XA-L01 model was First issued.

SEC Confidential

GENERAL DESCRIPTION

DESCRIPTION

LTN141XA-L01 is a color active matrix TFT (Thin Film Transistor) liquid crystal display (LCD) that uses amorphous silicon TFT as a switching devices. This model is composed of a TFT LCD panel, a driver circuit and a backlight system. The resolution of a 14.1" contains 1,024 x 768 pixels and can display up to 262,144 colors. 6 O'clock direction is the Optimum viewing angle.

FEATURES

- Thin and light weight
- High contrast ratio
- XGA ((1024x768) pixels) resolution
- Low power consumption
- DE (Data enable) only mode.
- 3.3V LVDS (FPD Link) Interface with 1 pixel / clock
- Auto-Recovery Function
- SPWG Style-B

APPLICATIONS

- Notebook PC and desktop monitors
- Display terminals for AV application products
- Monitors for Industrial machine
- If the usage of this product is not for PC application, but for others, please contact SEC

GENERAL INFORMATION

ITEM	SPECIFICATION	UNIT	NOTE
Display area	285.696(H)X214.272(V) (14.1" diagonal)	mm	
Driver element	a-si TFT active matrix		
Display colors	262,144		
Number of pixel	1024 x 768	pixel	
Pixel arrangement	RGB vertical stripe	mm	
Pixel pitch	0.279(H) x 0.279(V)		
Display Mode	Normally white		
Surface treatment	HAZE 40, HARD-COATING 2H, ARC150T		

SEC Confidential

Mechanical Information

ITEM		MIN.	TYP.	MAX.	NOTE
Module size	Horizontal (H)	298.5	299.0	299.5	
	Vertical (V)	227.5	228.0	228.5	
	Depth (D)	-	-	5.5	
Weight			400g	415g	

1. ABSOLUTE MAXIMUM RATINGS

1.1 ENVIRONMENTAL ABSOLUTE RATINGS

ITEM	SYMBOL	MIN.	MAX.	UNIT	NOTE
Storage temperate	T_{STG}	-25	60	$^{\circ}C$	(1)
Operating temperate (Temperature of glass surface)	T_{OPR}	0	50	$^{\circ}C$	(1)
Shock (non-operating)	Snop	-	210	G	(2), (4)
Vibration (non-operating)	Vnop	-	1.5	G	(3), (4)

Note (1) Temperature and relative humidity range are shown in the figure below.

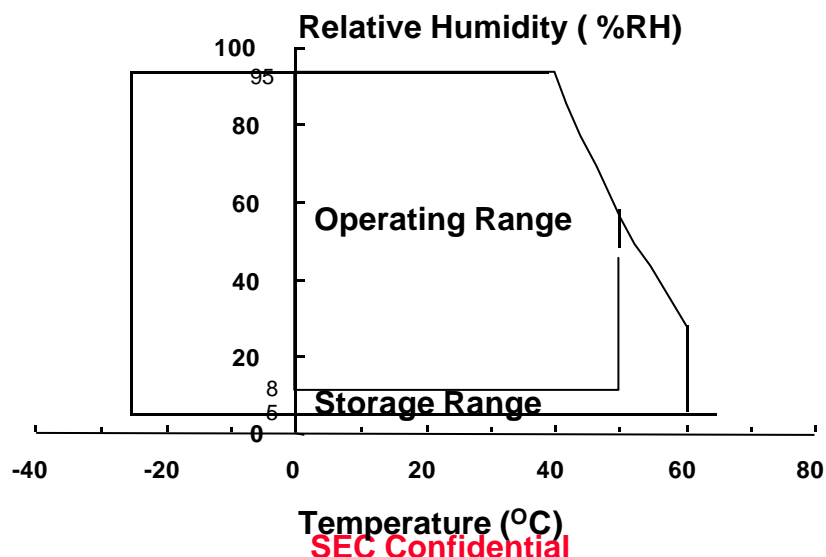
95 % RH Max. ($40^{\circ}C < T_a$)

Maximum wet - bulb temperature at $39^{\circ}C$ or less. ($T_a > 40^{\circ}C$) No condensation.

(2) 3ms, half sine wave, one time for $\pm X, \pm Y, \pm Z$.

(3) 10 300 10 Hz, Sweep rate 10 min, 30 min for X,Y,Z.

(4) At testing Vibration and Shock, the fixture in holding the Module to be tested have to be hard and rigid enough so that the Module would not be twisted or bent by the fixture.



SEC Confidential

1.2 ELECTRICAL ABSOLUTE RATINGS

(1) TFT LCD MODULE

(V_{ss} = GND = 0 V)

ITEM	SYMBOL	MIN.	MAX.	UNIT	NOTE
Power Supply Voltage	V _{cc}	V _{ss} -0.3	(V _{cc} + 0.3)	V	(1)
Logic Input Voltage	V _{IN}	V _{ss} -0.3	(V _{cc} + 0.3)	V	(1)

NOTE (1) Within Ta (25 ± 2 °C)

(2) BACK-LIGHT UNIT

Ta = 25 ± 2 °C

ITEM	SYMBOL	MIN.	MAX.	UNIT.	NOTE
Lamp current	I _L	3.0	7.0	mA _{rms}	(1)
Lamp frequency	F _L	50	80	KHz	(1)

NOTE (1) Permanent damage to the device may occur if maximum values are exceeded.
Functional operation should be restricted to the conditions described under Normal Operating Conditions.

SEC Confidential

2. OPTICAL CHARACTERISTICS

The following items are measured under stable conditions. The optical characteristics should be measured in a dark room or equivalent state with the methods shown in Note (5).

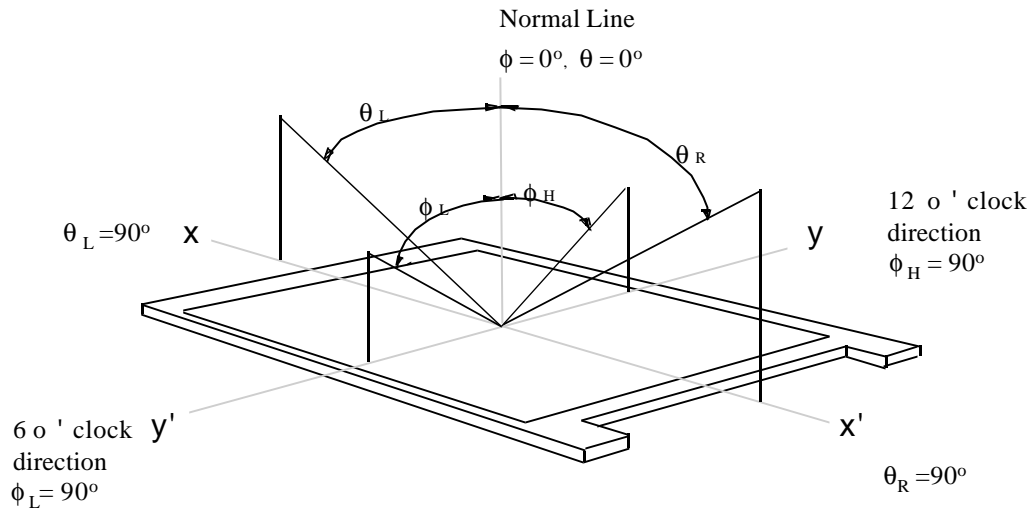
Measuring equipment : TOPCON BM-5A

* $T_a = 25 \pm 2^\circ\text{C}$, $V_{cc}=3.3\text{V}$, $f_v=60\text{Hz}$, $f_{DCLK}=65\text{MHz}$, $I_L=6.0\text{mA}$

ITEM	SYMBOL	CONDITION	MIN.	TYP.	MAX.	UNIT	NOTE
Contrast Ratio (5 Points)	CR		-	200	-		
Response Time at 25	Rising	T_R	-	10	20	msec	(1), (3)
	Falling	T_F	-	30	50		
Luminance of White (Center)	Y_L		120	150	-	cd/m^2	(1), (4)
Color Chromaticity (CIE)	Red	R_X	$\phi = 0,$ $\theta = 0$ Normal Viewing Angle	0.560	0.590	0.620	(1), (5)
		R_Y		0.312	0.342	0.372	
	Green	G_X		0.289	0.319	0.349	
		G_Y		0.510	0.540	0.570	
	Blue	B_X		0.122	0.152	0.182	
		B_Y		0.107	0.137	0.167	
	White	W_X		0.285	0.313	0.341	
		W_Y		0.309	0.329	0.349	
Viewing Angle	Hor.	θ_L	CR 10 (at center point)	-	45	-	Degrees
		θ_R		-	45	-	
	Ver.	ϕ_H		-	15	-	
		ϕ_L		-	30	-	
13 Points White Variation	%		65	-	-		(6)
5 Points White Variation	%		80	-	-		(7)

SEC Confidential

Note 1) Definition of Viewing Angle : Viewing angle range (10 C/Rat center point)

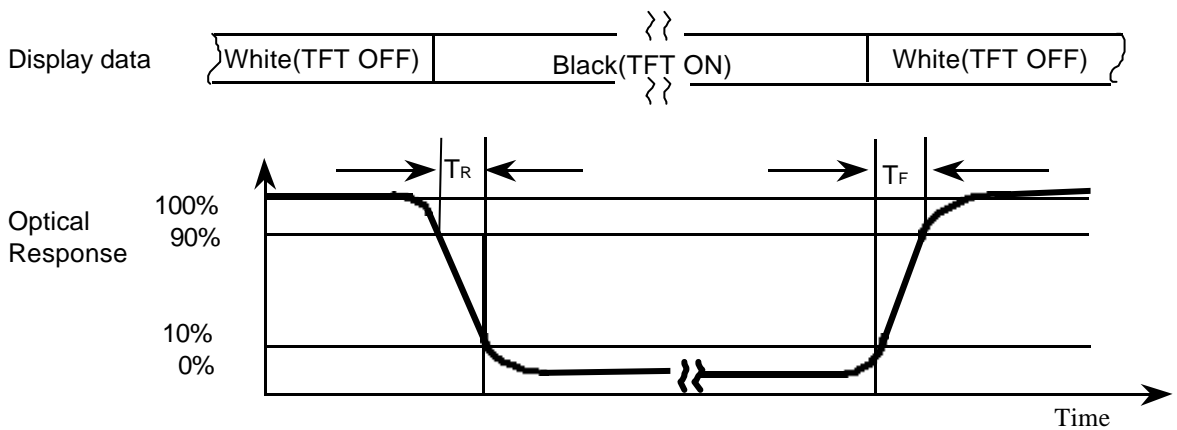


Note 2) Definition of Contrast Ratio (CR) : Ratio of gray max (Gmax) ,gray min (Gmin) at 5 points(1, 3, 5, 7, 9)

$$CR = \frac{CR(1) + CR(3) + CR(5) + CR(7) + CR(9)}{5}$$

POINTS : (1), (3), (5), (7), (9) at FIGURE OF NOTE 6)

Note 3) Definition of Response time : Sum of TR,TF



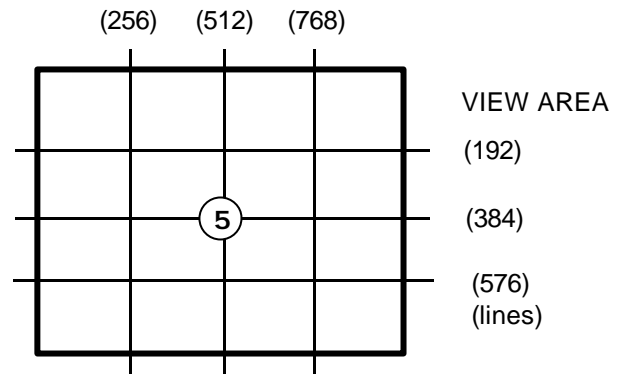
SEC Confidential

Note 4) Definition of Luminance of White : measure the luminance of white at center points.

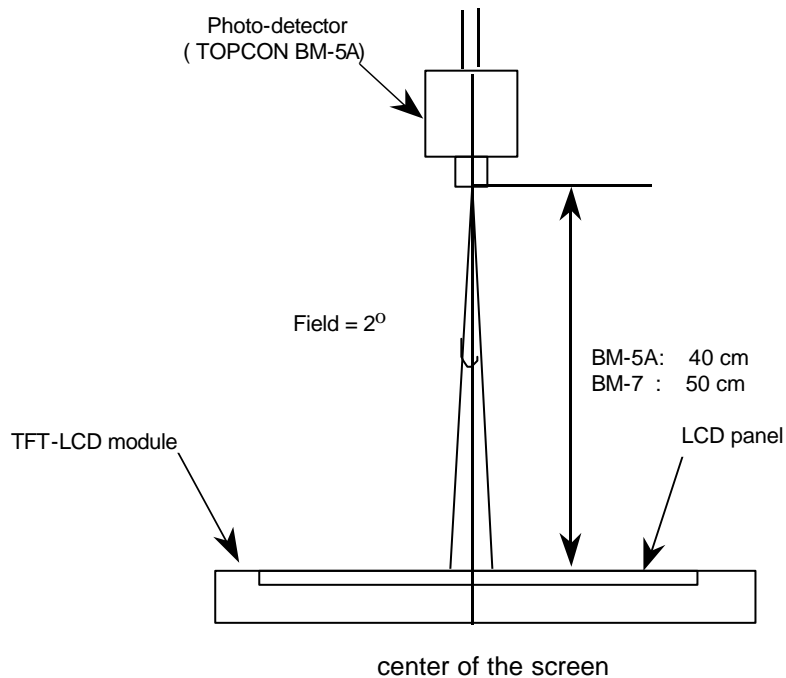
Luminance of White (Y_L)

Measuring Lamp Current is 6.0mA

$$Y_L = Y_{L5}$$



Note 5) After stabilizing and leaving the panel alone at a given temperature for 30 min , the measurement should be executed. Measurement should be executed in a stable, windless, and dark room. 30 min after lighting the back-light. This should be measured in the center of screen.
 Lamp current : 6.0mA
 Environment condition : $T_a = 25^{\circ}\text{C} \pm 2^{\circ}\text{C}$

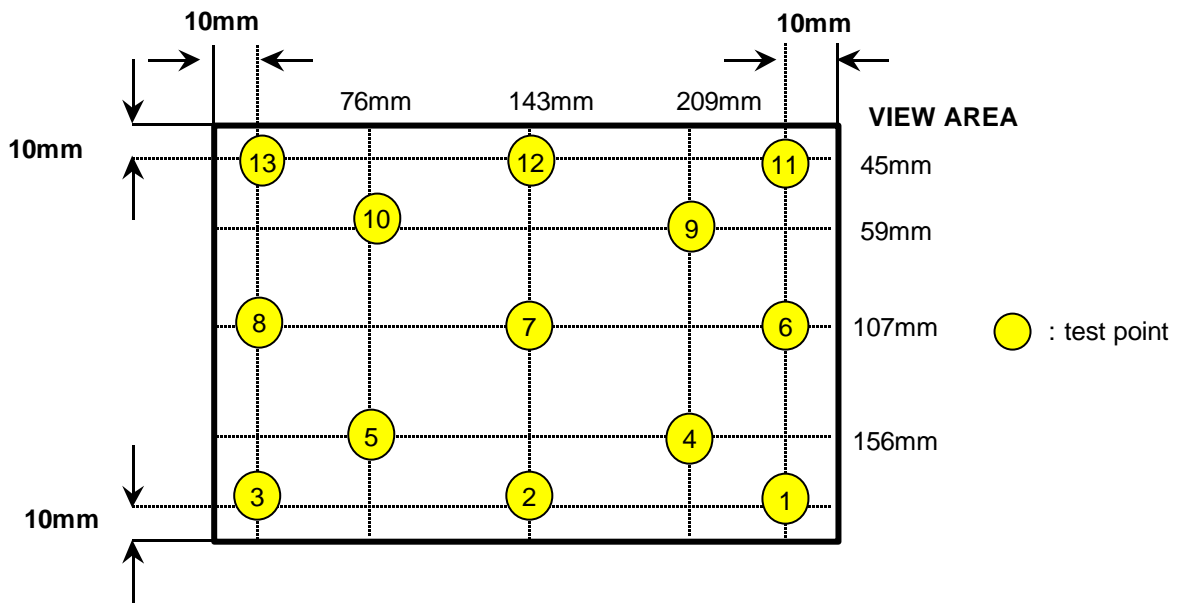


Optical characteristics measurement setup

SEC Confidential

Note 6) Definition of 13 points white variation, CR variation(C_{VER}) [① ~ ⑬]

$$\text{13 points white variation (\%)} = \frac{\text{Minimum luminance of 13 points}}{\text{Maximum luminance of 13 points}} \times 100$$



Note 7) Definition of 5 points white variation, CR variation(C_{VER}) [4,5,7,9,10]

$$\text{5 points white variation (\%)} = \frac{\text{Minimum luminance of 5 points}}{\text{Maximum luminance of 5 points}} \times 100$$

SEC Confidential

3. ELECTRICAL CHARACTERISTICS

Approval

3.1 TFT LCD MODULE

Ta=25 ± 2 °C

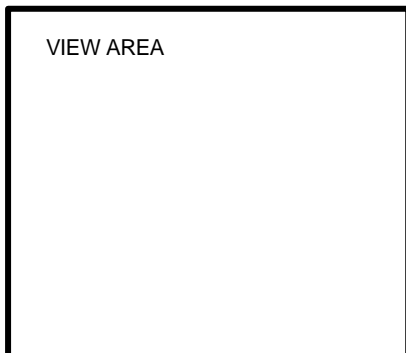
ITEM	SYMBOL	MIN	TYP	MAX	UNIT	NOTE	
Voltage of Power Supply	V _{DD}	3.0	3.3	3.6	V		
Differential Input Voltage for LVDS Receiver Threshold	High	V _{IH}	-	-	+100	mV	V _{CM} =+1.2V
	Low	V _{IL}	-100	-	-	mV	
Vsync Frequency	f _V	-	60	-	Hz		
Hsync Frequency	f _H	-	48.2	-	KHz		
Main Frequency	f _{DCLK}	63.4	65	66.6	MHz		
Rush Current	I _{RUSH}	-	-	1.5	A	(4)	
Current of Power Supply	White	I _{DD}	-	330	-	mA	(2),(3)*a
	Mosaic		-	360	-	mA	(2),(3)*b
	Max Pattern		-	420	500	mA	(2),(3)*c

Note (1) Display data pins and timing signal pins should be connected.(GND=0V)

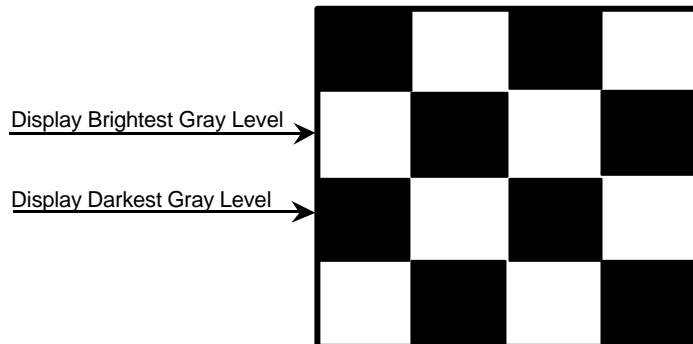
(2) f_V=60Hz, f_{DCLK} =65MHZ, V_{DD} = 3.3V , DC Current.

(3) Power dissipation pattern

*a) White Pattern

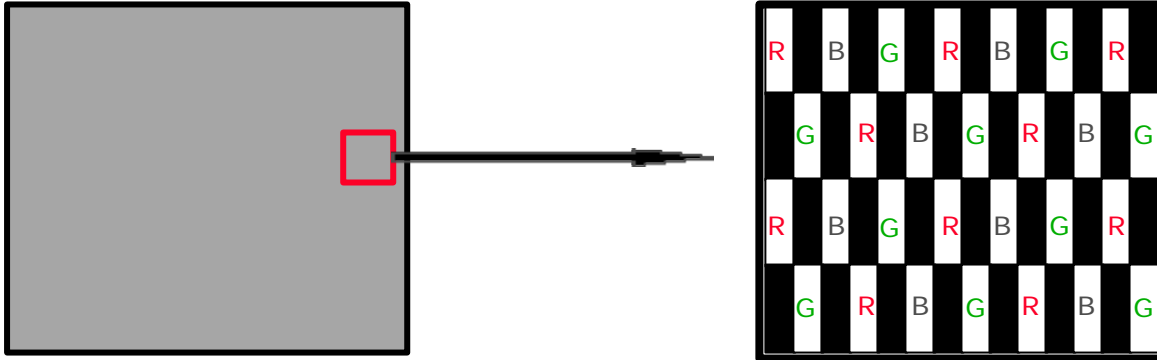


*b) Mosaic Pattern

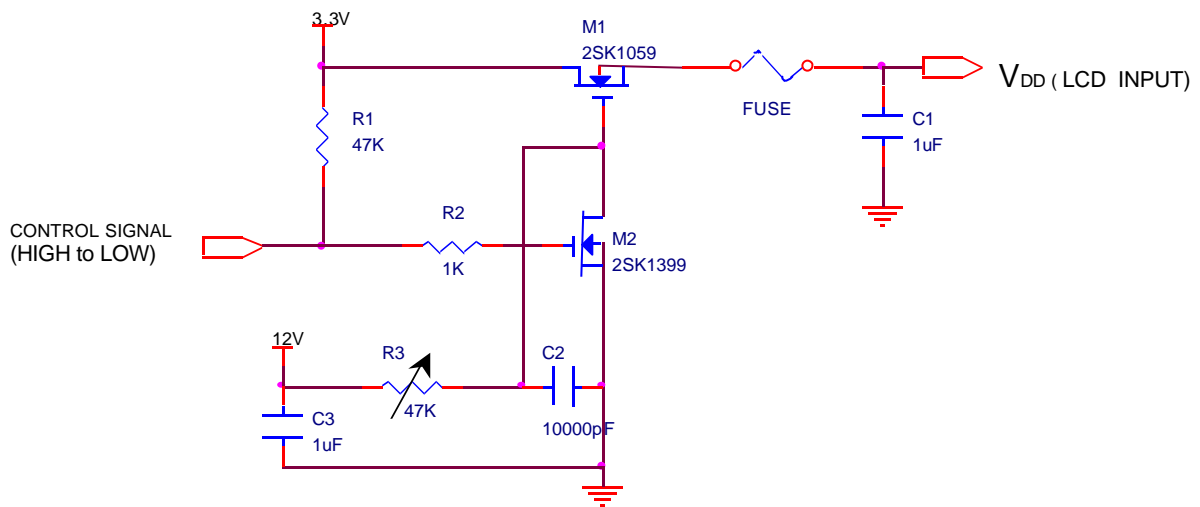


SEC Confidential

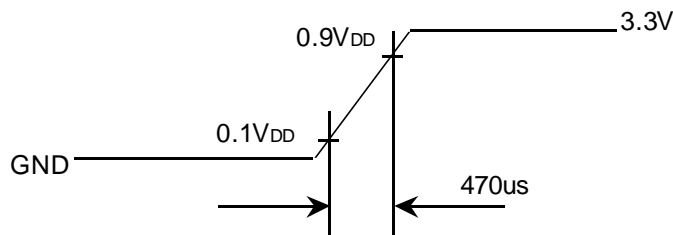
*c) 1dot Inversion Pattern



4) Rush current measurement condition



V_{DD} rising time is 470us



SEC Confidential

3.2 BACK-LIGHT UNIT

The backlight system is an edge - lighting type with a single CCFT (Cold Cathode Fluorescent Tube).
The characteristics of a single lamp are shown in the following tables.

INVERTER : SEM, SIC130T

Ta=25 ± 2 °C

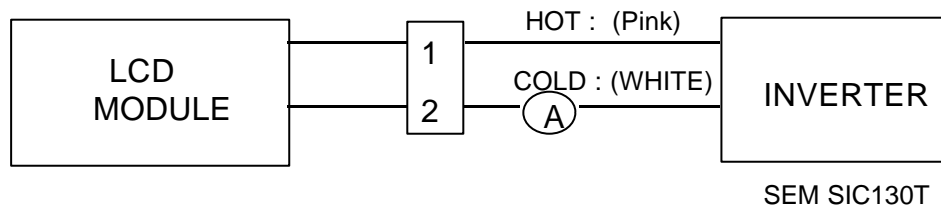
ITEM	SYMB	MIN	TYP	MAX	UNIT	NOTE
Lamp Current	I _L	3.0	6.0	6.5	mArms	(1)
Lamp Voltage	V _L		690		V _{rms}	I _L =6.0mA
Frequency	f _L	50	60	65	KHz	(2)
Power Consumption	P _L	-	4.0	-	W	(3)
Operating Life Time	Hr	10,000	-	-	Hour	(4)
Startup Voltage	V _s	-	-	1250 (25°C)	V _{rms}	(5)
				1500 (0 °C)		

Note) The waveform of the inverter output voltage must be area symmetric and the design of the inverter must have specifications for the modularized lamp.

The performance of the backlight, for example life time or brightness, is much influenced by the characteristics of the DC-AC inverter for the lamp. So all the parameters of an inverter should be carefully designed so as not to produce too much leakage current from high-voltage output of the inverter.

When you design or order the inverter, please make sure that a poor lighting caused by the mismatch of the backlight and the inverter(miss lighting, flicker, etc.) never occur. When you confirm it, the module should be operated in the same condition as it is installed in your instrument.

Note (1) Lamp current is measured with a high frequency current meter as shown below.



SIC Inverter Switching Frequency :Typ 60KHz

(2) Lamp frequency may produce interference with horizontal synchronous frequency and this may cause line flow on the display. Therefore lamp frequency should be detached from the horizontal synchronous frequency and its harmonics as far as possible in order to avoid interference.

(3) refer to I_L × V_L to calculate.

(4) Life time (Hr) of a lamp can be defined as the time in which it continues to operate under the condition Ta = 25 ± 2 °C and I_L = 6.0 mArms until one of the following event occurs.

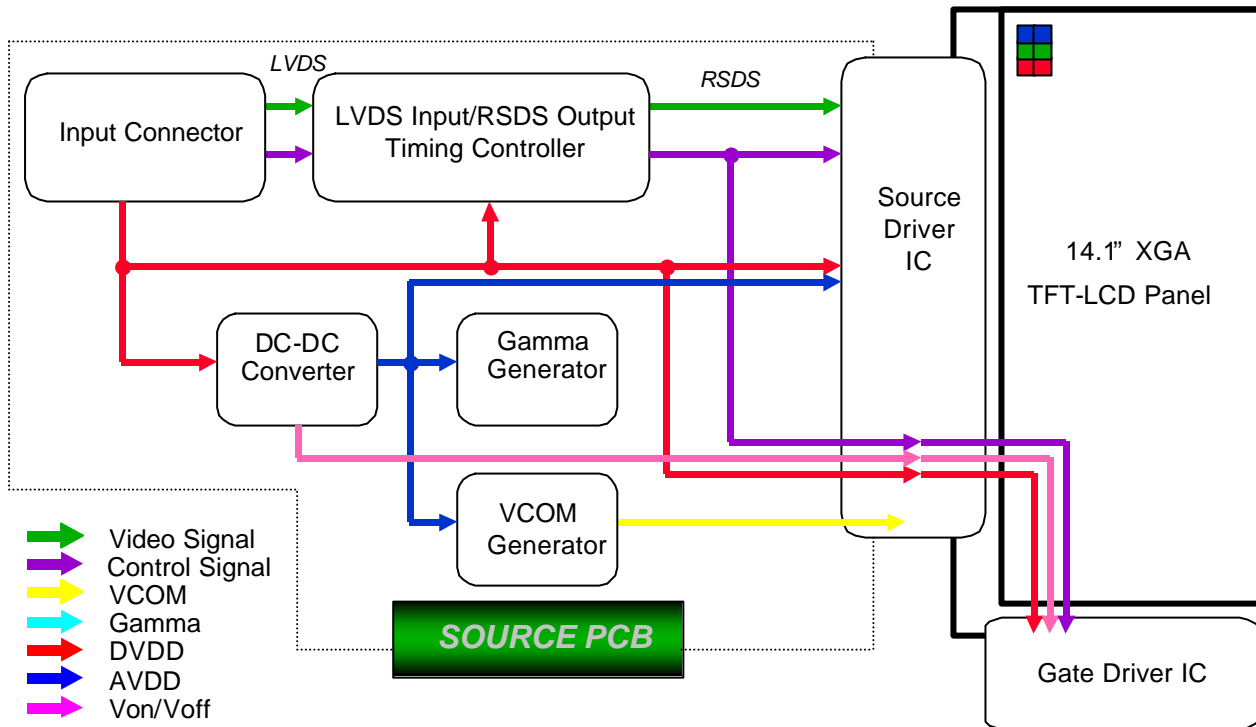
1. When the brightness becomes 50% or lower than the original.

(5) The voltage above this value should be applied to the lamp for more than 1 second to startup. Otherwise the lamp may not be turned on.

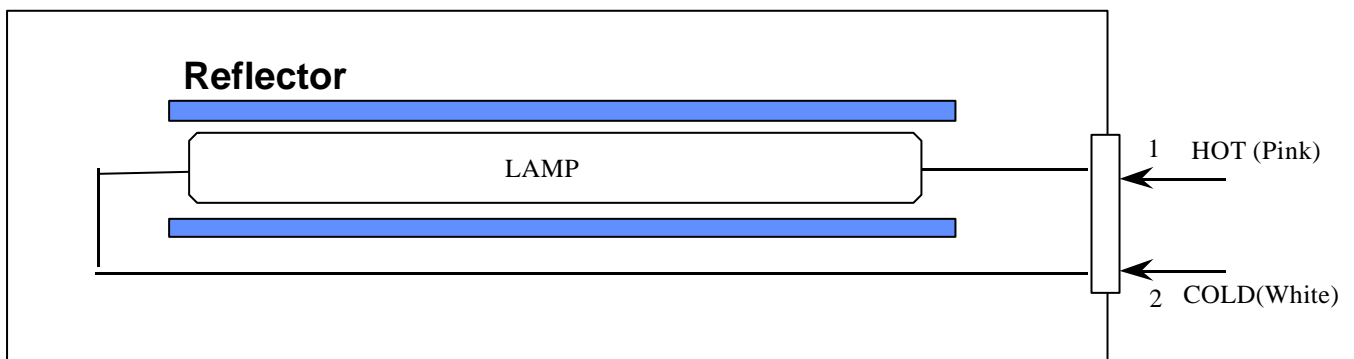
SEC Confidential

4. BLOCK DIAGRAM

4.1 TFT LCD Module



4.2 BACK-LIGHT UNIT



Connector : BHSR-02VS-1

Note) The output of the inverter may change according to the material of the reflector.

SEC Confidential

5. INPUT TERMINAL PIN ASSIGNMENT

5.1. Input Signal & Power LVDS, Connector : JAE, FI-XB30SRL-HF10 or Compatible
Mating Connector : JAE, FI-X30M or Compatible

	Symbol	Full Description	Remarks
1	GND	Ground	
2	VDD	Power (Vdd = 3.3V)	
3	VDD	Power (Vdd = 3.3V)	
4	VEDID	DDC 3.3V Power	N/A
5	NC	Not Connected	
6	CLK EDID	DDC CLOCK	N/A
7	DATA EDID	DDC DATA	N/A
8	RXIN0-	LVDS 0th Signal Negative	
9	RXIN0+	LVDS 0th Signal Positive	
10	GND	Ground	
11	RXIN1-	LVDS 1st Signal Negative	
12	RXIN1+	LVDS 1st Signal Positive	
13	GND	Ground	
14	RXIN2-	LVDS 2nd Signal Negative	
15	RXIN2+	LVDS 2nd Signal Positive	
16	GND	Ground	
17	RXCLKIN-	LVDS Clock Signal Negative	
18	RXCLKIN+	LVDS Clock Signal Positive	
19	GND	Ground	
20	NC	Not Connected	
21	NC	Not Connected	
22	NC	Not Connected	
23	NC	Not Connected	
24	NC	Not Connected	
25	NC	Not Connected	
26	NC	Not Connected	
27	NC	Not Connected	
28	NC	Not Connected	
29	NC	Not Connected	
30	NC	Not Connected	

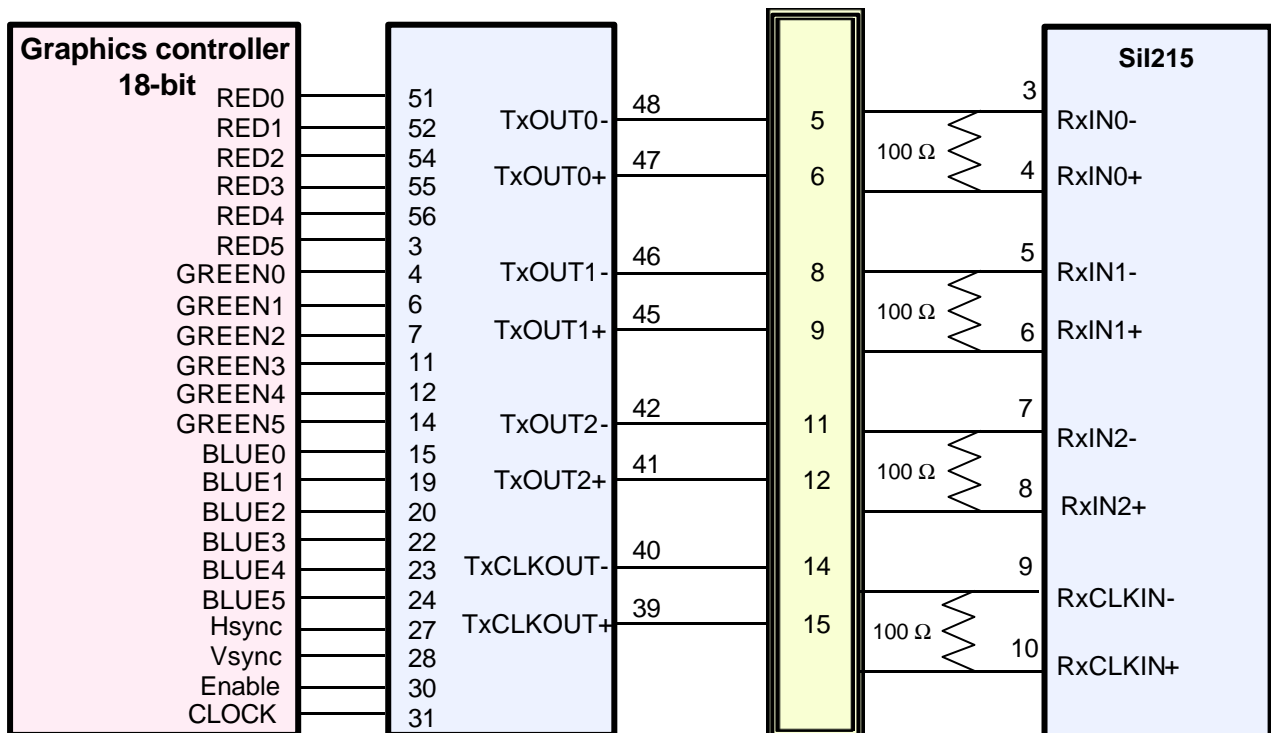
SEC Confidential

5.2 LVDS Transmitter : DS90CF383 (National Semiconductor) or Compatible

Pin No.	Name	RGB Signal	Pin No.	Name	RGB Signal
51	TxIN0	R0	14	TxIN14	G5
52	TxIN1	R1	15	TxIN15	B0
54	TxIN2	R2	19	TxIN18	B1
55	TxIN3	R3	20	TxIN19	B2
56	TxIN4	R4	22	TxIN20	B3
3	TxIN6	R5	23	TxIN21	B4
4	TxIN7	G0	24	TxIN22	B5
6	TxIN8	G1	27	TxIN24	Hsync
7	TxIN9	G2	28	TxIN25	Vsync
11	TxIN12	G3	30	TxIN26	DE
12	TxIN13	G4	31	TxCLKIN	Clock

FLAT LINK INTERFACE

JAE FI-XB30SRL-HF10



Note : The LCD Module uses a 100ohm resistor between positive and negative lines of each receiver input.

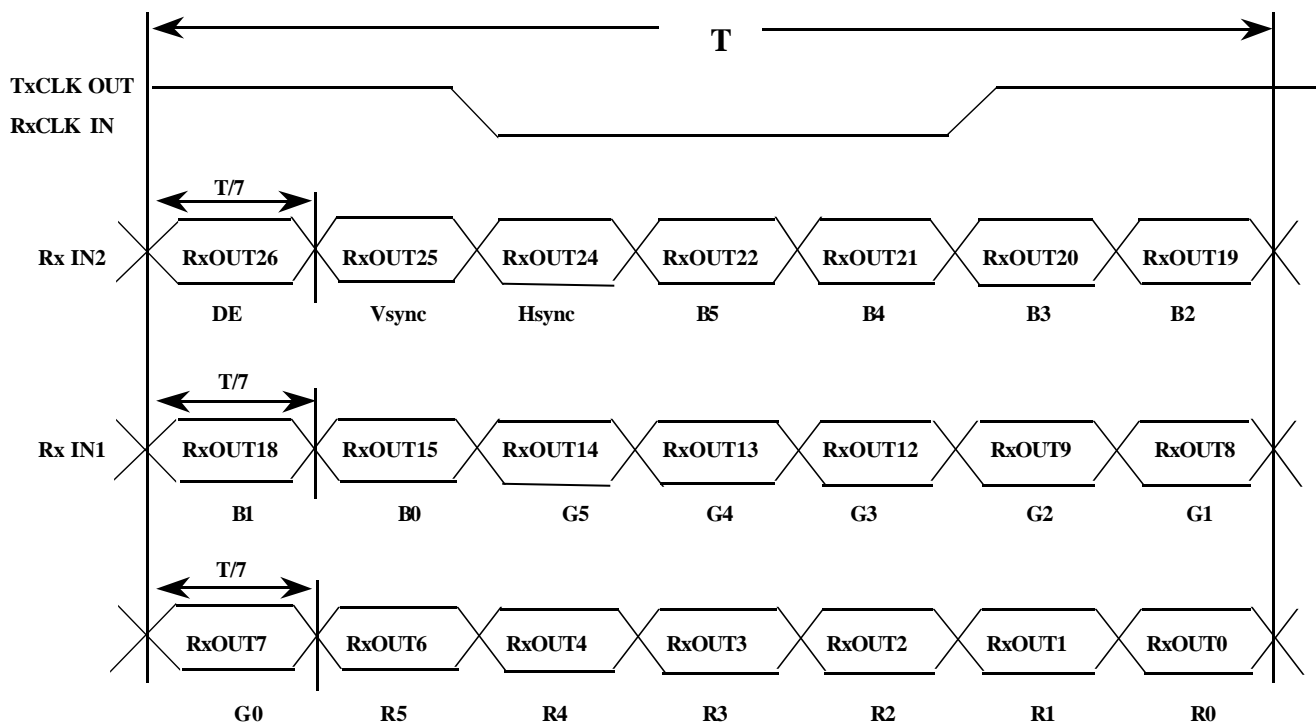
SEC Confidential

5.3 BACK LIGHT UNIT

Connector : JST, BHSR-02VS-1 or compatible

Pin NO.	Symbol	Color	Function
1	HOT	Pink	High Voltage
2	COLD	White	Ground

5.4 Timing Diagrams of LVDS For Transmission



SEC Confidential

5.5 Input Signals, Basic Display Colors and Gray Scale of Each Color

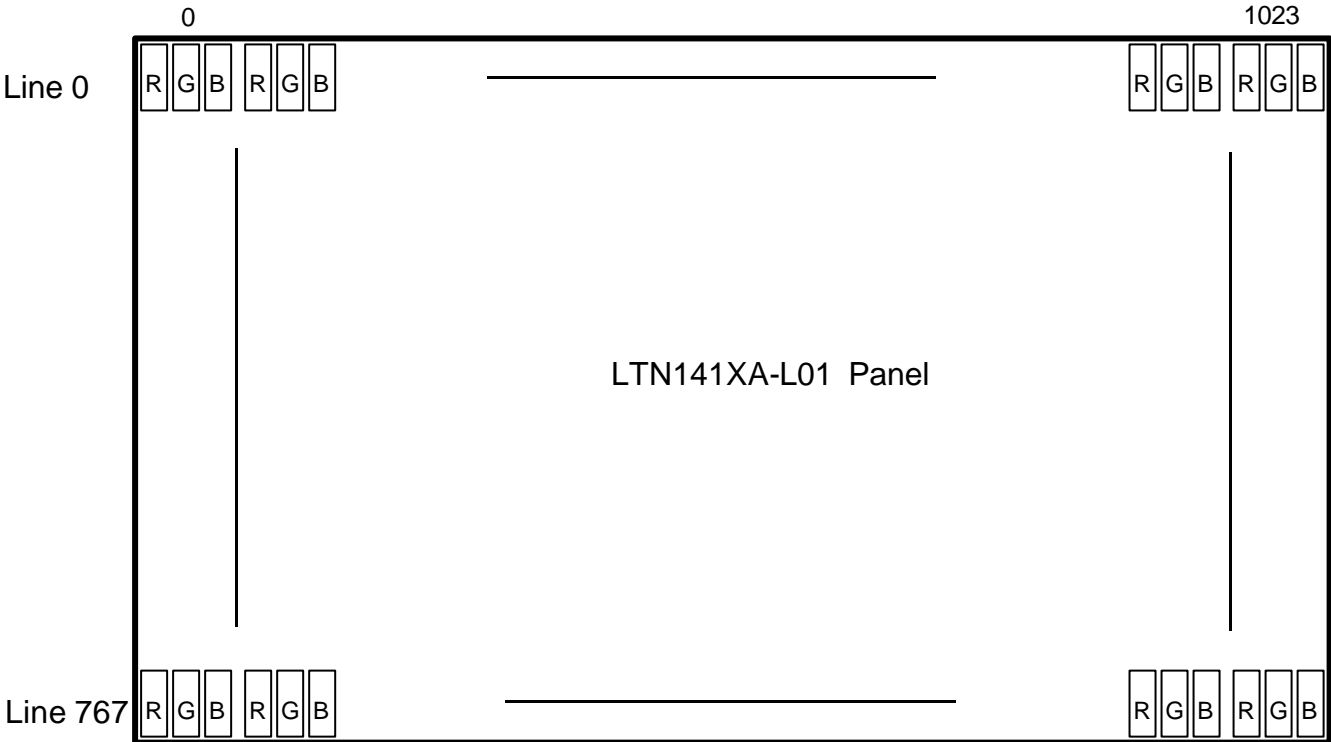
Approval

COLOR	DISPLAY	DATA SIGNAL																GRAY SCALE LEVEL		
		RED					GREEN					BLUE								
		R0	R1	R2	R3	R4	R5	G0	G1	G2	G3	G4	G5	B0	B1	B2	B3		B4	B5
COLOR	BLACK	0	0	0	0	0	0	0	0	0	0	0	0	0	0	0	0	0	0	-
	BLUE	0	0	0	0	0	0	0	0	0	0	0	0	1	1	1	1	1	1	-
	GREEN	0	0	0	0	0	0	1	1	1	1	1	1	0	0	0	0	0	0	-
	CYAN	0	0	0	0	0	0	1	1	1	1	1	1	1	1	1	1	1	1	-
	RED	1	1	1	1	1	1	0	0	0	0	0	0	0	0	0	0	0	0	-
	MAGENTA	1	1	1	1	1	1	0	0	0	0	0	0	1	1	1	1	1	1	-
	YELLOW	1	1	1	1	1	1	1	1	1	1	1	1	0	0	0	0	0	0	-
	WHITE	1	1	1	1	1	1	1	1	1	1	1	1	1	1	1	1	1	1	-
GRAY SCALE OF RED	BLACK	0	0	0	0	0	0	0	0	0	0	0	0	0	0	0	0	0	0	R0
	DARK ↑	1	0	0	0	0	0	0	0	0	0	0	0	0	0	0	0	0	0	R1
		0	1	0	0	0	0	0	0	0	0	0	0	0	0	0	0	0	0	R2
		:	:	:	:	:	:	:	:	:	:	:	:	:	:	:	:	:	:	R3~R60
		:	:	:	:	:	:	:	:	:	:	:	:	:	:	:	:	:	:	
	↓ LIGHT	1	0	1	1	1	1	0	0	0	0	0	0	0	0	0	0	0	0	R61
		0	1	1	1	1	1	0	0	0	0	0	0	0	0	0	0	0	0	R62
	RED	1	1	1	1	1	1	0	0	0	0	0	0	0	0	0	0	0	0	R63
GRAY SCALE OF GREEN	BLACK	0	0	0	0	0	0	0	0	0	0	0	0	0	0	0	0	0	0	G0
	DARK ↑	0	0	0	0	0	0	1	0	0	0	0	0	0	0	0	0	0	0	G1
		0	0	0	0	0	0	0	1	0	0	0	0	0	0	0	0	0	0	G2
		:	:	:	:	:	:	:	:	:	:	:	:	:	:	:	:	:	:	G3~G60
		:	:	:	:	:	:	:	:	:	:	:	:	:	:	:	:	:	:	
	↓ LIGHT	0	0	0	0	0	0	1	0	1	1	1	1	0	0	0	0	0	0	G61
		0	0	0	0	0	0	0	1	1	1	1	1	0	0	0	0	0	0	G62
	GREEN	0	0	0	0	0	0	1	1	1	1	1	1	0	0	0	0	0	0	G63
GRAY SCALE OF BLUE	BLACK	0	0	0	0	0	0	0	0	0	0	0	0	0	0	0	0	0	0	B0
	DARK ↑	0	0	0	0	0	0	0	0	0	0	0	0	1	0	0	0	0	0	B1
		0	0	0	0	0	0	0	0	0	0	0	0	0	1	0	0	0	0	B2
		:	:	:	:	:	:	:	:	:	:	:	:	:	:	:	:	:	:	B3~B60
		:	:	:	:	:	:	:	:	:	:	:	:	:	:	:	:	:	:	
	↓ LIGHT	0	0	0	0	0	0	0	0	0	0	0	0	1	0	1	1	1	1	B61
		0	0	0	0	0	0	0	0	0	0	0	0	0	1	1	1	1	1	B62
	GREEN	0	0	0	0	0	0	0	0	0	0	0	0	1	1	1	1	1	1	B63

Note 1) Definition of gray :
 Rn: Red gray, Gn: Green gray, Bn: Blue gray (n=gray level)
 Note 2) Input signal: 0 =Low level voltage, 1=High level voltage

SEC Confidential

5.6 Pixel Format in the display



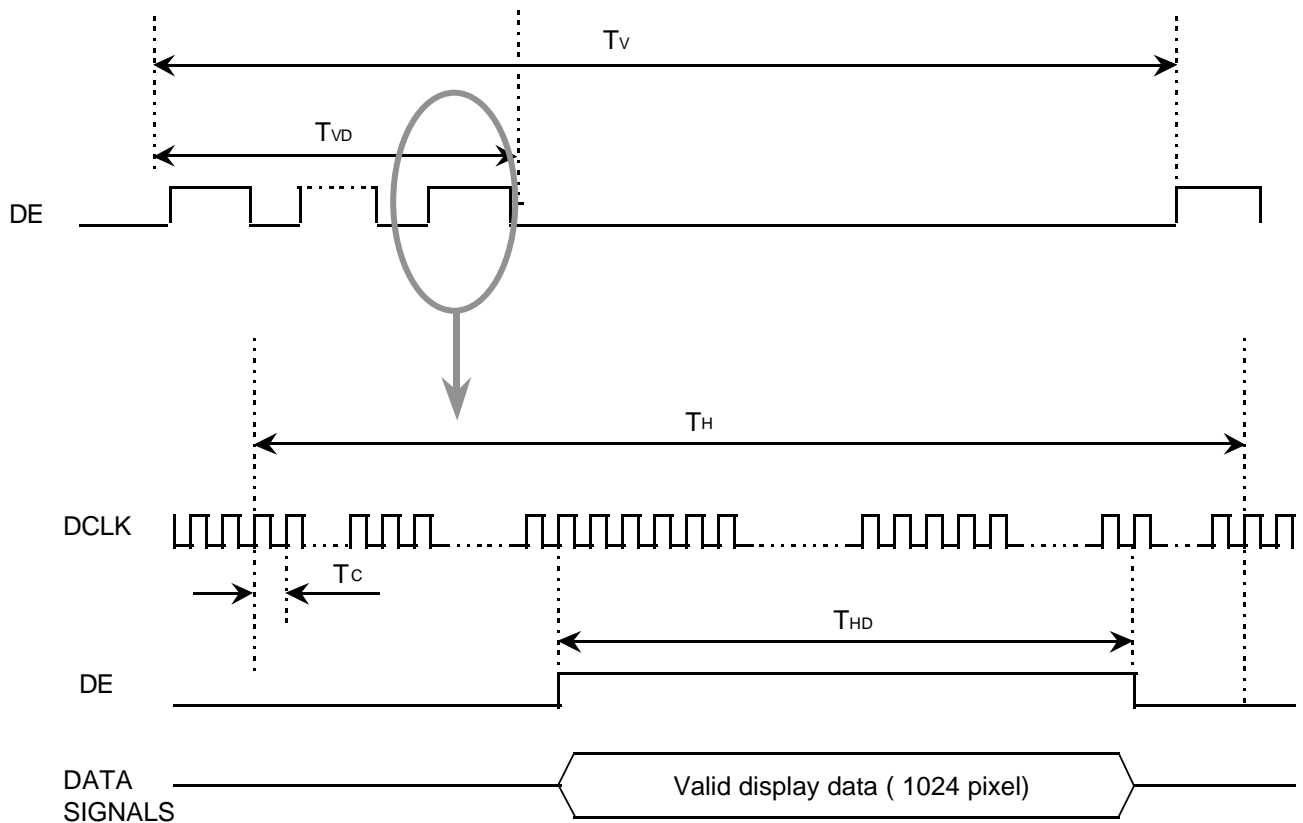
SEC Confidential

6. INTERFACE TIMING

6.1 Timing Parameters

Signal	Item	Symbol	MIN	TYP	MAX	Unit	Note
Frame Frequency	Cycle	T_v	-	806	-	lines	
Vertical Active Display Term	Display Period	T_{vD}	-	768	-	lines	
One Line Scanning Time	Cycle	T_H	-	1344	-	clocks	
Horizontal Active Display Term	Display Period	T_{HD}	-	1024	-	clocks	
Vertical Blank Term	Cycle	Vblank	-	38	-	lines	
Horizontal Blank Term	Cycle	Hblank	-	320	-	clocks	

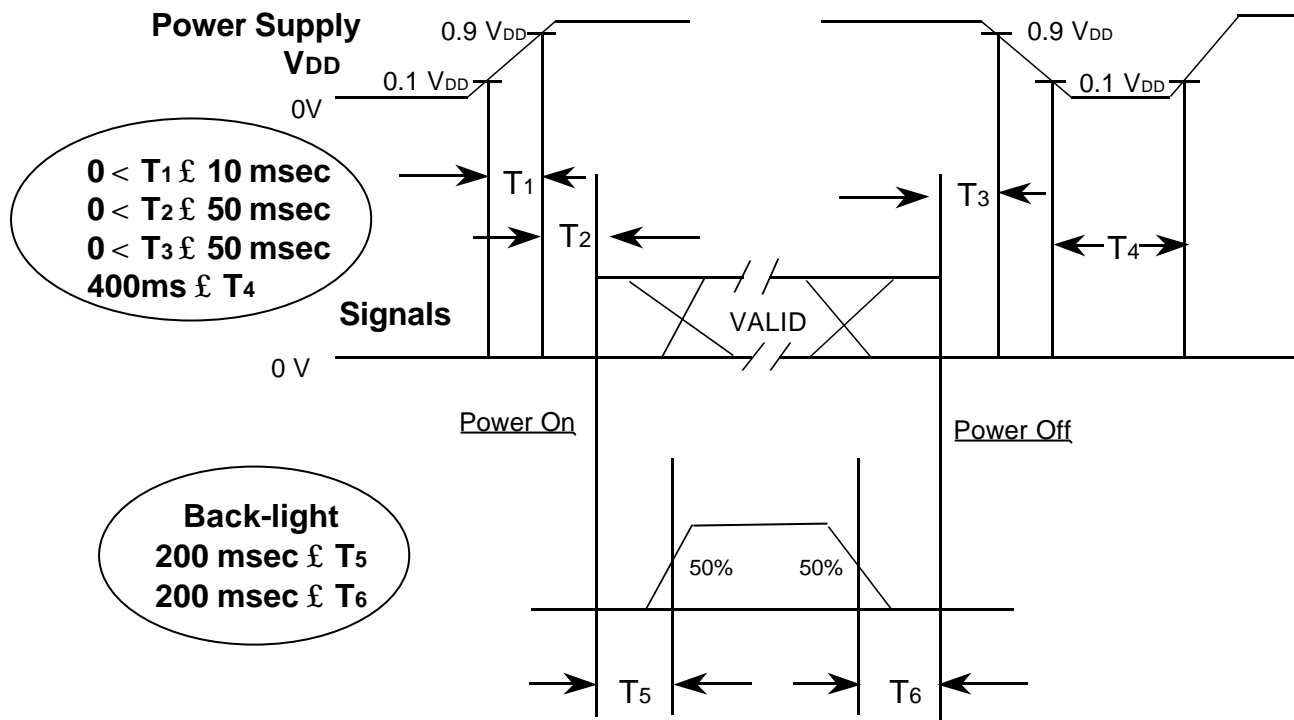
6.2 Timing diagrams of interface signal



SEC Confidential

6.3 Power ON/OFF Sequence

: To prevent a latch-up or DC operation of the LCD module, the power on/off sequence shall be as shown below.



Power ON/OFF Sequence

- T1 : Vdd rising time from 10% to 90%
- T2 : The time from Vdd to valid data at power ON.
- T3 : The time from valid data off to Vdd off at power Off.
- T4 : Vdd off time for Windows restart
- T5 : The time from valid data to B/L enable at power ON.
- T6 : The time from valid data off to B/L disable at power Off.

NOTE.

- (1) The supply voltage of the external system for the module input should be the same as the definition of V_{DD} .
- (2) Apply the lamp voltage within the LCD operation range. When the backlight turns on before the LCD operation or the LCD turns off before the backlight turns off, the display may momentarily become white.
- (3) In case of $V_{DD} = \text{off level}$, please keep the level of input signals on the low or keep a high impedance.
- (4) T4 should be measured after the module has been fully discharged between power off and on period.
- (5) Interface signal shall not be kept at high impedance when the power is on.

SEC Confidential

7. Mechanical Outline Dimension

Approval

[Refer to the section 5.9]

SEC Confidential

Doc.No.	LTN141XA-L01	Rev.No	04-001-G-030716	Page	22 / 24
----------------	--------------	---------------	-----------------	-------------	---------

8. GENERAL PRECAUTIONS

1. Handling

- (a) When the module is assembled, It should be attached to the system firmly using selected mounting holes. Be careful not to twist and bend the modules.
- (b) Refrain from strong mechanical shock and / or any force to the module. In addition to damage, this may cause improper operation or damage to the module and CCFT backlight.
- (c) Note that polarizers are very fragile and could be easily damaged. Do not press or scratch the surface harder than a HB pencil lead.
- (d) Wipe off water droplets or oil immediately. If you leave the droplets for a long time, Staining and discoloration may occur.
- (e) If the surface of the polarizer is dirty, clean it using some absorbent cotton or soft cloth.
- (f) The desirable cleaners are water, IPA(Isopropyl Alcohol) or Hexane. Do not use Ketone type materials(ex. Acetone), Ethyl alcohol, Toluene, Ethyl acid or Methyl chloride. It might permanent damage to the polarizer due to chemical reaction.
- (g) If the liquid crystal material leaks from the panel, it should be kept away from the eyes or mouth. In case of contact with hands, legs or clothes, it must be washed away thoroughly with soap.
- (h) Protect the module from static, it may cause damage to the C-MOS Gate Array IC.
- (i) Use fingerstalls with soft gloves in order to keep display clean during the incoming inspection and assembly process.
- (j) Do not disassemble the module.
- (k) Do not pull or fold the lamp wire.
- (l) Do not adjust the variable resistor which is located on the back side.
- (m) Protection film for polarizer on the module shall be slowly peeled off just before use so that the electrostatic charge can be minimized.
- (n) Pins of I/F connector shall not be touched directly with bare hands.

SEC Confidential

Doc.No.	LTN141XA-L01	Rev.No	04-001-G-030716	Page	23 / 24
----------------	--------------	---------------	-----------------	-------------	---------

2. STORAGE

- (a) Do not leave the module in high temperature, and high humidity for a long time.
It is highly recommended to store the module with temperature from 0 to 35°C and relative humidity of less than 70%.
- (b) Do not store the TFT-LCD module in direct sunlight.
- (c) The module shall be stored in a dark place. It is prohibited to apply sunlight or fluorescent light during the store.

3. OPERATION

- (a) Do not connect, disconnect the module in the “ Power On” condition.
- (b) Power supply should always be turned on/off by following item 6.3 “ Power on/off sequence “ .
- (c) Module has high frequency circuits. Sufficient suppression to the electromagnetic interference shall be done by system manufacturers. Grounding and shielding methods may be important to minimize the interference.
- (d) The cable between the backlight connector and its inverter power supply shall be a minimized length and be connected directly . The longer cable between the backlight and the inverter may cause lower luminance of lamp(CCFT) and may require higher startup voltage(Vs).

4. OTHERS

- (a) Ultra-violet ray filter is necessary for outdoor operation.
- (b) Avoid condensation of water. It may result in improper operation or disconnection of electrode.
- (c) Do not exceed the absolute maximum rating value. (the supply voltage variation, input voltage variation, variation in part contents and environmental temperature, so on)
Otherwise the module may be damaged.
- (d) If the module displays the same pattern continuously for a long period of time, it can be the situation when the image “ sticks” to the screen.
- (e) This module has its circuitry PCB' s on the rear side and should be handled carefully in order not to be stressed.

SEC Confidential

Doc.No.	LTN141XA-L01	Rev.No	04-001-G-030716	Page	24 / 24
----------------	--------------	---------------	-----------------	-------------	---------

