

Product Specification

SPECIFICATION FOR APPROVAL

(◆) Preliminary Specification
() Final Specification

Title	17.0" SXGA TFT LCD
-------	--------------------

BUYER	General
MODEL	

SUPPLIER	LG.Philips LCD CO., Ltd
*MODEL	LM170E03
SUFFIX	TLB1

*When you obtain standard approval,
please use the above model name without suffix

SIGNATURE	DATE
/	
/	
/	

APPROVED BY	DATE
G.T. KIM / G.Manager	
REVIEWED BY	
Y.W. LEE / Manager [C]	
J. H. LEE / Manager [M]	
D.Y. SEOK/ Manager [P]	
PREPARED BY	
S.J. MOON / Engineer	

Please return 1 copy for your confirmation
With your signature and comments.

**Product Engineering Dept.
LG. Philips LCD Co., Ltd**

Product Specification

CONTENTS

NO.	ITEM	Page
-	COVER	1
-	CONTENTS	2
-	RECORD OF REVISIONS	3
1	GENERAL DESCRIPTION	4
2	ABSOLUTE MAXIMUM RATINGS	5
3	ELECTRICAL SPECIFICATIONS	6
3-1	ELECTRICAL CHARACTERISTICS	6
3-2	INTERFACE CONNECTIONS	8
3-3	SIGNAL TIMING SPECIFICATIONS	12
3-4	SIGNAL TIMING WAVEFORMS	13
3-5	COLOR INPUT DATA REFERANCE	14
3-6	POWER SEQUENCE	15
3-7	VCC POWER DIP CONDITION	16
4	OPTICAL SPECIFICATIONS	17
5	MECHANICAL CHARACTERISTICS	21
6	RELIABILITY	24
7	INTERNATIONAL STANDARDS	25
7-1	SAFETY	25
7-2	EMC	25
8	PACKING	26
8-1	DESIGNATION OF LOT MARK	26
8-2	PACKING FORM	26
9	PRECAUTIONS	27

Product Specification

RECORD OF REVISIONS

Revision No	Date	Page	Description
Ver 0.1	Jun. 13. 2006		Preliminary Specifications
Ver 0.2	Sep. 11. 2006	1 page	Update For the Cover
		6 page	Update For Note. 3
		8 page	Update For I/F Connector : UJU IS100-L308-C23 Delete
		22 page	Update for Side drawing : Tape Delete
		23 page	Update For the rear drawing : UJU IS100-L308-C23 → LSC GT103-30S-H23-M : Add to Lamp Wire length

Product Specification

1. General Description

The LM170E03-TLB1 is a Color Active Matrix Liquid Crystal Display with an integral Cold Cathode Fluorescent Lamp(CCFL) backlight system. The matrix employs a-Si Thin Film Transistor as the active element. It is a transmissive type display operating in the normally white mode. This TFT-LCD has a 17.0 inch diagonal measured active display area with SXGA resolution(1024 vertical by 1280 horizontal pixel array) Each pixel is divided into Red, Green and Blue sub-pixels or dots which are arranged in vertical stripes. Gray scale or the brightness of the sub-pixel color is determined with a 8-bit gray scale signal for each dot, thus, presenting a palette of more than 16.7M colors with A-FRC(Advanced-Frame Rate Control).

The LM170E03-TLB1 has been designed to apply the interface method that enables low power, high speed, low EMI. FPD Link or compatible must be used as a LVDS(Low Voltage Differential Signaling) chip. The LM170E03-TLB1 is intended to support applications where thin thickness, wide viewing angle, low power are critical factors and graphic displays are important. In combination with the vertical arrangement of the sub-pixels, the LM170E03-TLB1 characteristics provide an excellent flat panel display for office automation products such as monitors.

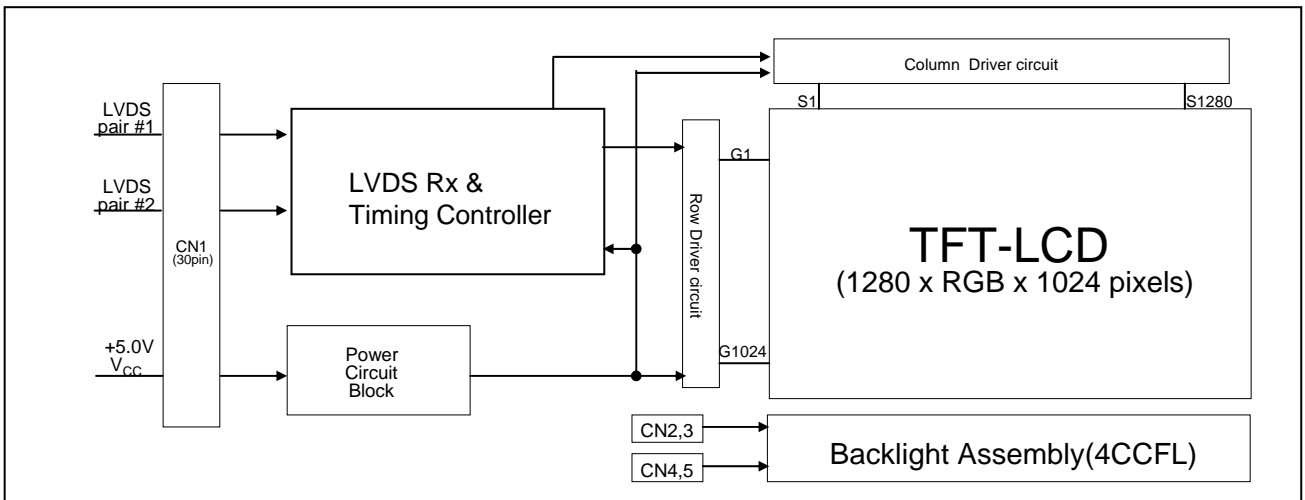


Figure 1. Block diagram

General Features

Active screen size	17.0 inch (43.27cm) diagonal
Outline Dimension	358.5(H) x 296.5(V) x 17.0(D) mm(Typ.)
Pixel Pitch	0.264 mm x 0.264 mm
Pixel Format	1280 horiz. by 1024 vert. Pixels. RGB stripe arrangement
Display Colors	16.7M colors
Luminance, white	300 cd/m ² (Typ. Center 1 point)
Power Consumption	20.1 Watts(Typ.)
Weight	1890g (Typ.)
Display operating mode	Transmissive mode, normally white
Surface treatments	Hard coating (3H), Anti-glare treatment of the front polarizer

Product Specification

2. Absolute maximum ratings

The following are maximum values which, if exceeded, may cause faulty operation or damage to the unit.

Table 1. Absolute Maximum Ratings

Parameter	Symbol	Values		Units	Notes
		Min.	Max.		
Power Supply Input Voltage	V_{CC}	- 0.3	+ 5.5	V_{dc}	At 25 °C
Operating Temperature	T_{OP}	0	+ 50	°C	1
Storage Temperature	T_{ST}	- 20	+ 60	°C	1
Operating Ambient Humidity	H_{OP}	10	+ 90	%RH	1
Storage Humidity	H_{ST}	10	+ 90	%RH	1

Note : 1. Temperature and relative humidity range are shown in the figure below.
 Wet bulb temperature should be 39 °C Max, and no condensation of water.

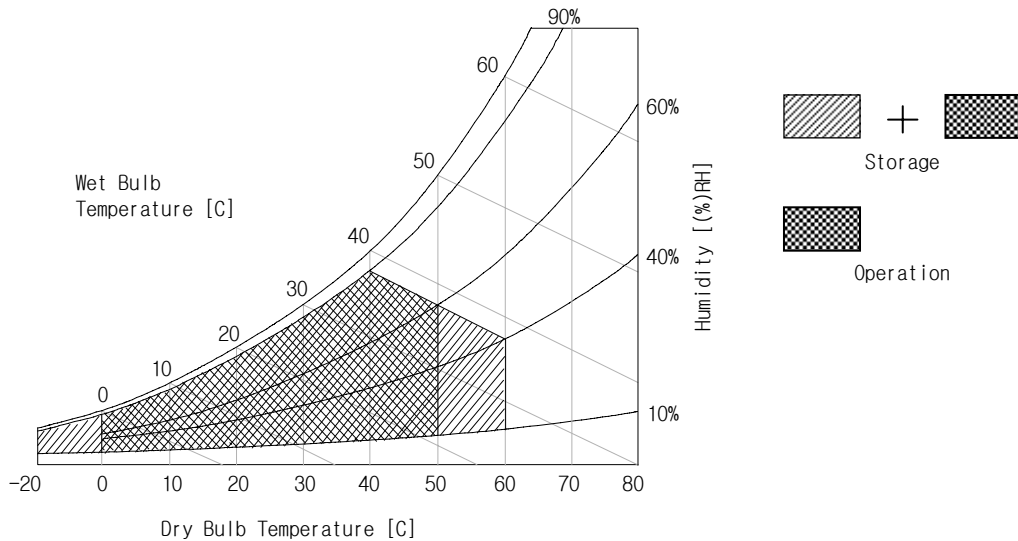


Figure 2. Temperature and relative humidity

Product Specification

3. Electrical specifications

3-1. Electrical characteristics

The LM170E03-TLB1 requires two power inputs. One is employed to power the LCD electronics and to drive the TFT array and liquid crystal. Another which powers the CCFL, is typically generated by an inverter. The inverter is an external unit to the LCD.

Table 2. Electrical Characteristics

Parameter	Symbol	Values			Units	Notes
		Min.	Typ.	Max.		
MODULE :						
Power Supply Input Voltage	V_{CC}	4.5	5.0	5.5	V	
Permissive Power Input Ripple	V_{RF}	-	-	0.1	V	
Power Supply Input Current	I_{CC}	-	640	740	mA	1
Differential Impedance	Z_m	90	100	110	ohm	
Power Consumption	P_C	-	3.2	3.7	Watts	
Rush Current	I_{RUSH}	-	2.0	3.0	A	2
LAMP for each CCFL:						
Operating Voltage	V_{BL}	576 (@7.0mA)	650 (@6.5mA)	740 (@2.5mA)	V_{RMS}	3
Operating Current	I_{BL}	2.5	6.5	7.0	mA_{RMS}	
Established Starting Voltage	V_{BS}					4
at 25 °C		-	-	1000	V_{RMS}	
at 0 °C		-	-	1250	V_{RMS}	
Operating Frequency	f_{BL}	40	60	70	KHz	5
Discharge Stabilization Time	T_S	-	-	3	Minutes	6
Power Consumption	P_{BL}	-	16.90	18.60	Watts	7
Life Time		50,000	-	-	Hrs	8

Note. The design of the inverter must have specifications for the lamp in LCD Assembly.

The performance of the Lamp in LCM, for example life time or brightness, is extremely influenced by the characteristics of the DC-AC Inverter. So all the parameters of an inverter should be carefully designed so as not to produce too much leakage current from high-voltage output of the inverter.

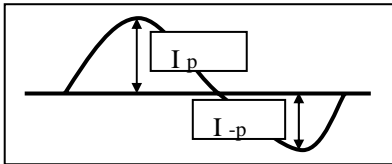
When you design or order the inverter, please make sure unwanted lighting caused by the mismatch of the lamp and the inverter(no lighting, flicker, etc) never occurs. When you confirm it, the LCD Assembly should be operated in the same condition as installed in your instrument.

Note. Do not attach a conducting tape to lamp connecting wire. If the lamp wire attach to conducting tape, TFT-LCD Module have a low luminance and the inverter has abnormal action because leakage current occurs between lamp wire and conducting tape.

1. The specified current and power consumption are under the $V_{CC}=5.0V$, $25^{\circ}C$, f_v (frame frequency) =60Hz condition. Mosaic(black & white) pattern shown in the [Figure 3] is displayed.
2. The duration of rush current is about 5ms. And V_{CC} rise time is $500\mu s \pm 20\%$.
3. Operating voltage is measured under $25^{\circ}C$. The variance of the voltage is $\pm 10\%$. (only min +20%)
4. The voltage above V_{BS} should be applied to the lamps for more than 1 second for start-up. Otherwise, the lamps may not be turned on.

Product Specification

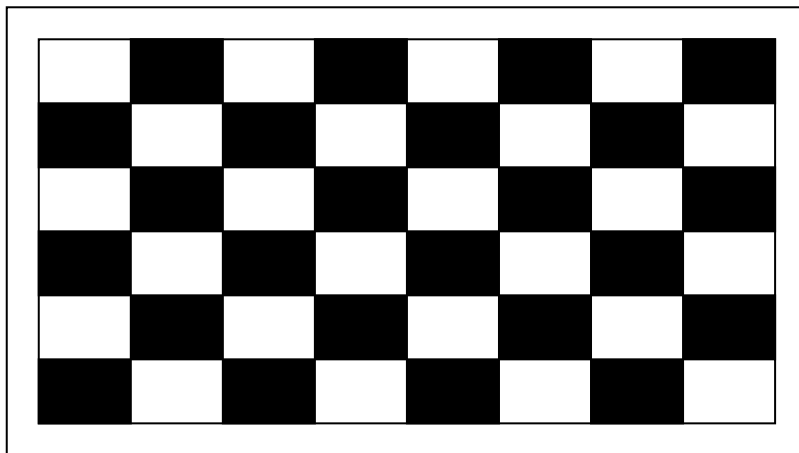
5. The output of the inverter must have symmetrical(negative and positive) voltage waveform and symmetrical current waveform.(Unsymmetrical ratio is less than 10%) Please do not use the inverter which has unsymmetrical voltage and unsymmetrical current and spike wave.
Lamp frequency may produce interference with horizontal synchronous frequency and as a result this may cause beat on the display.Therefore lamp frequency shall be as away as possible from the horizontal synchronous frequency and from its harmonics in order to prevent interference.
6. Let's define the brightness of the lamp after being lighted for 5 minutes as 100%.
 T_s is the time required for the brightness of the center of the lamp to be not less than 95%.
The used lamp current is the lamp typical current.
7. The lamp power consumption shown above does not include loss of external inverter under 25 °C .
The used lamp current is the lamp typical current.
8. The life time is determined as the time at which brightness of lamp is 50% compared to that of initial value at the typical lamp current on condition of continuous operating at 25 ± 2°C .
9. Requirements for a system inverter design, which is intended to have a better display performance, a better power efficiency and a more reliable lamp.
It shall help increase the lamp lifetime and reduce its leakage current.
 - a. The unbalance rate of the inverter waveform should be 10% below;
 - b. The distortion rate of the waveform should be within $\sqrt{2} \pm 10\%$;
 - c. The ideal sine wave form shall be symmetric in positive and negative polarities.



* **Asymmetry rate** = $| I_p - I_{-p} | / I_{rms} * 100\%$

* **Distortion rate** = $I_p \text{ (or } I_{-p}) / I_{rms}$

10. Inverter open voltage must be more than lamp starting voltage.
11. The inverter which is combined with this LCM, is highly recommended to connect coupling(ballast) condenser at the high voltage output side. When you use the inverter which has not coupling(ballast) condenser, it may cause abnormal lamp lighting because of biased mercury as time goes.



[Figure 3] Mosaic pattern for power consumption measurement

Product Specification

3-2. Interface Connections

Interface chip must be used LVDS, part No. SN75LVDS83 (Tx, Texas Instrument) or compatible. This LCD employs a interface connection, a 30 pin connector is used for the module electronics interface. Four 2pin connectors are used for the integral backlight system. The electronics interface connector is a model GT103-30S-H23-M manufactured by LSC or or KDF71G-30S-1H manufactured by HIROSE or FI-X30SSL-HF manufactured by JAE or compatible connector. And mating connector is FI-X30H and FI-X30HL or it's compatible manufactured by JAE. The pin configuration for the connector is shown in the table 3 and the signal mapping with LVDS transmitter is shown in the table 4.

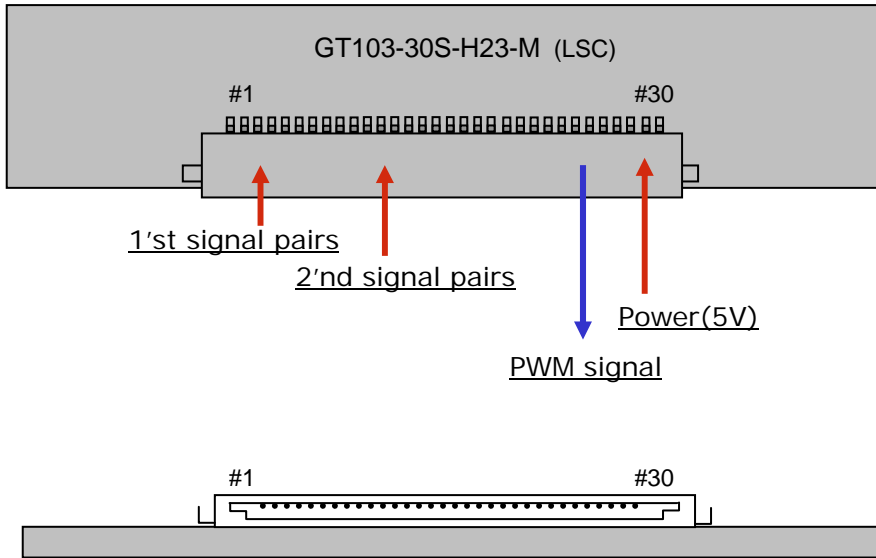
Table 3. Module connector pin configuration

Pin No	Symbol	Description
1	RxO0-	LVDS Signal of Odd Channel 0(-)
2	RxO0+	LVDS Signal of Odd Channel 0(+)
3	RxO1-	LVDS Signal of Odd Channel 1(-)
4	RxO1+	LVDS Signal of Odd Channel 1(+)
5	RxO2-	LVDS Signal of Odd Channel 2(-)
6	RxO2+	LVDS Signal of Odd Channel 2(+)
7	GND	Ground
8	RxOC-	LVDS Signal of Odd Channel Clock(-)
9	RxOC+	LVDS Signal of Odd Channel Clock(+)
10	RxO3-	LVDS Signal of Odd Channel 3(-)
11	RxO3+	LVDS Signal of Odd Channel 3(+)
12	RxE0-	LVDS Signal of Even Channel 0(-)
13	RxE0+	LVDS Signal of Even Channel 0(+)
14	GND	Ground
15	RxE1-	LVDS Signal of Even Channel 1(-)
16	RxE1+	LVDS Signal of Even Channel 1(+)
17	GND	Ground
18	RxE2-	LVDS Signal of Even Channel 2(-)
19	RxE2+	LVDS Signal of Even Channel 2(+)
20	RxEC-	LVDS Signal of Even Channel Clock(-)
21	RxEC+	LVDS Signal of Even Channel Clock(+)
22	RxE3-	LVDS Signal of Even Channel 3(-)
23	RxE3+	LVDS Signal of Even Channel 3(+)
24	GND	Ground
25	PWM_OUT	PWM_OUT signal for control burst frequency of inverter
26	NC	No connection
27	NC	No connection
28	VCC	Power supply (5.0V Typ.)
29	VCC	Power supply (5.0V Typ.)
30	VCC	Power supply (5.0V Typ.)

First Pixel Data

Second Pixel Data

Product Specification



[Figure 4] Connector diagram

- Notes:
1. All GND(ground) pins should be connected together and should also be connected to the LCD's metal frame.
 2. All V_{CC} (power input) pins should be connected together.
 3. All NC pins should be separated from other signal or power.
 4. PWM_OUT signal controls the burst frequency of a inverter.
 This signal is synchronized with vertical frequency,
 it's frequency is 3 times of vertical frequency, and it's duty ratio is 50%.
 If you don't use this pin, it is no connection.

Product Specification

Table 4. Required signal assignment for Flat Link (TI:SN75LVDS83) Transmitter

Pin	Pin Name	Require Signal	Pin	Pin Name	Require Signal
1	VCC	Power Supply for TTL Input	29	GND	Ground pin for TTL
2	D5	TTL Input(R7)	30	D26	TTL Input(DE)
3	D6	TTL Input(R5)	31	TxCLKIN	TTL Level clock Input
4	D7	TTL Input(G0)	32	PWR DWN	Power Down Input
5	GND	Ground pin for TTL	33	PLL GND	Ground pin for PLL
6	D8	TTL Input(G1)	34	PLL VCC	Power Supply for PLL
7	D9	TTL Input(G2)	35	PLL GND	Ground pin for PLL
8	D10	TTL Input(G6)	36	LVDS GND	Ground pin for LVDS
9	VCC	Power Supply for TTL Input	37	TxOUT3+	Positive LVDS differential data output3
10	D11	TTL Input(G7)	38	TxOUT3-	Negative LVDS differential data output3
11	D12	TTL Input(G3)	39	TxCLKOUT+	Positive LVDS differential clock output
12	D13	TTL Input(G4)	40	TxCLKOUT-	Negative LVDS differential clock output
13	GND	Ground pin for TTL	41	TxOUT2+	Positive LVDS differential data output2
14	D14	TTL Input(G5)	42	TxOUT2-	Negative LVDS differential data output2
15	D15	TTL Input(B0)	43	LVDS GND	Ground pin for LVDS
16	D16	TTL Input(B6)	44	LVDS VCC	Power Supply for LVDS
17	VCC	Power Supply for TTL Input	45	TxOUT1+	Positive LVDS differential data output1
18	D17	TTL Input(B7)	46	TxOUT1-	Negative LVDS differential data output1
19	D18	TTL Input(B1)	47	TxOUT0+	Positive LVDS differential data output0
20	D19	TTL Input(B2)	48	TxOUT0-	Negative LVDS differential data output0
21	GND	Ground pin for TTL Input	49	LVDS GND	Ground pin for TTL
22	D20	TTL Input(B3)	50	D27	TTL Input(R6)
23	D21	TTL Input(B4)	51	D0	TTL Input(R0)
24	D22	TTL Input(B5)	52	D1	TTL Input(R1)
25	D23	TTL Input(RSVD)	53	GND	Ground pin for TTL
26	VCC	Power Supply for TTL Input	54	D2	TTL Input(R2)
27	D24	TTL Input(HSYNC)	55	D3	TTL Input(R3)
28	D25	TTL Input(VSYNC)	56	D4	TTL Input(R4)

Notes : 1. Refer to LVDS Transmitter Data Sheet for detail descriptions.

2. 7 means MSB and 0 means LSB at R,G,B pixel data

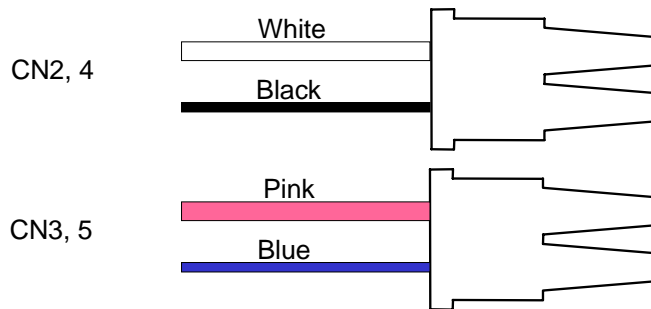
Product Specification

The backlight interface connector is a model BHSR-02VS-2(JST).
 The mating connector part number is SM02B-BHSS-1 or equivalent.
 The pin configuration for the connector is shown in the table 5.

Table 5. Backlight connector pin configuration

Pin	Symbol	Description	Notes
1	HV	High Voltage for lamp	1
2	LV	Low Voltage for lamp	1,2

Notes : 1. The high voltage side terminal is colored white or pink. The low voltage side terminal is Black or Blue.
 2. The backlight ground should be common with LCD metal frame.



[Figure 5] Backlight connector view

Product Specification

3-3. Signal Timing Specifications

This is the signal timing required at the input of the LVDS Transmitter. All of the interface signal timing should be satisfied with the following specifications for its proper operation.

Table 6. Timing table

Parameter		Symbol	Min.	Typ.	Max.	Unit	Notes
Dclk	Period	t_{CLK}	14.71	18.52	22.22	ns	
	Frequency	f_{CLK}	45	54	68	MHz	
Hsync	Period	t_{HP}	672	844	1022	t_{CLK}	Horizontal period should be even
	Width	t_{WH}	8	56	-		
Vsync	Period	t_{VP}	1032	1066	1536	t_{HP}	
	Width	t_{WV}	2	3	24		
	Frequency	f_V	50	60	76	Hz	
DE (Data Enable)	Horizontal Valid	t_{HV}	640	640	640	t_{CLK}	
	Horizontal Back Porch	t_{HBP}	16	124	-		
	Horizontal Front Porch	t_{HFP}	8	24	-		
	-	-	-	-	-		
	Vertical Valid	t_{VV}	1024	1024	1024	t_{HP}	
	Vertical Back Porch	t_{VBP}	5	38	124		
	Vertical Front Porch	t_{VFP}	1	1	-		
	-	-	-	-	-		
	DE setup time	t_{SI}	4	-	-	ns	For Dclk
	DE hold time	t_{HI}	4	-	-		
Data	Data setup time	t_{SD}	4	-	-	ns	For Dclk
	Data hold time	t_{HD}	4	-	-		

Notes : 1. DE Only mode operation

2. $t_{HFP} + t_{WH} + t_{HBP} < (1/2) t_{HV}$

3. $t_{VFP} + t_{WV} + t_{VBP} < t_{H_max} / t_{V_min}$

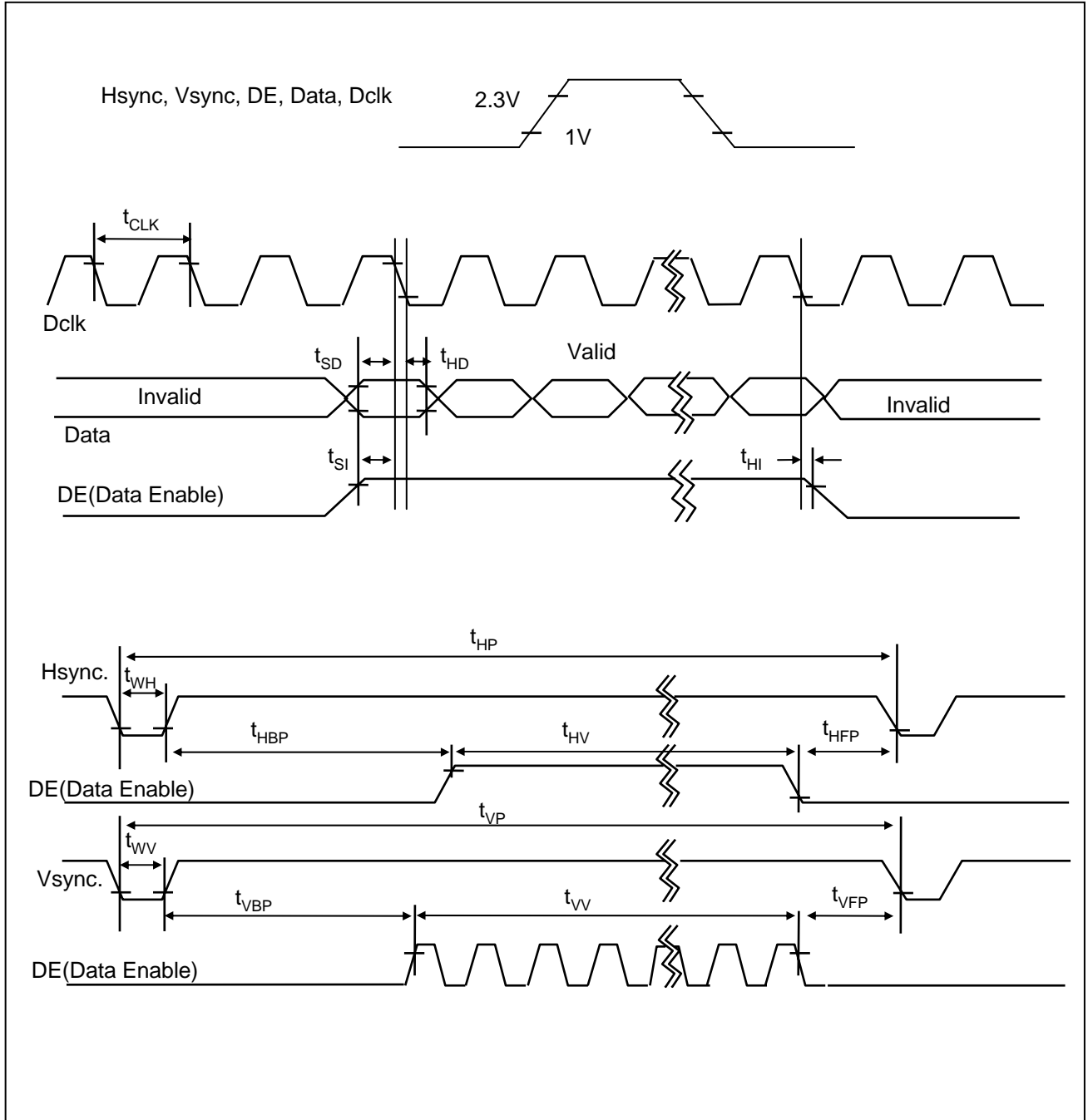
4. t_{HFP} , t_{WH} and t_{HBP} should be any times of a character number (8).

5. No variation of the total number of Hsync and DE in a frame is required for normal operation.

6. No variation of the total number of clock in a Hsync period for t_{VBP} is required for normal operation.

Product Specification

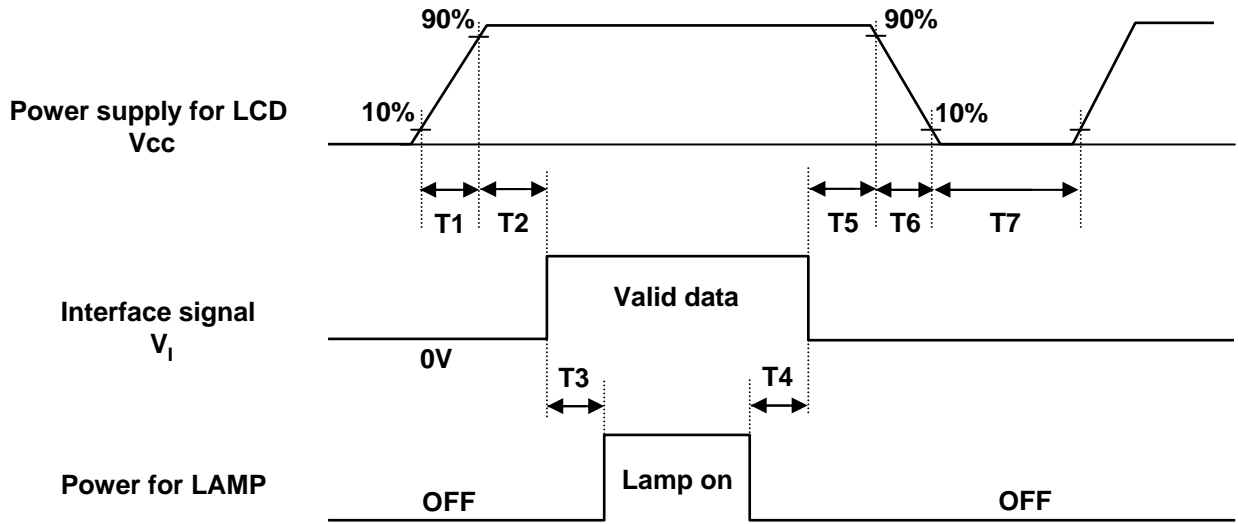
3-4. Signal Timing Waveforms



[Figure 6] Signal timing waveforms

Product Specification

3-6. Power Sequence



[Figure 7] Power sequence

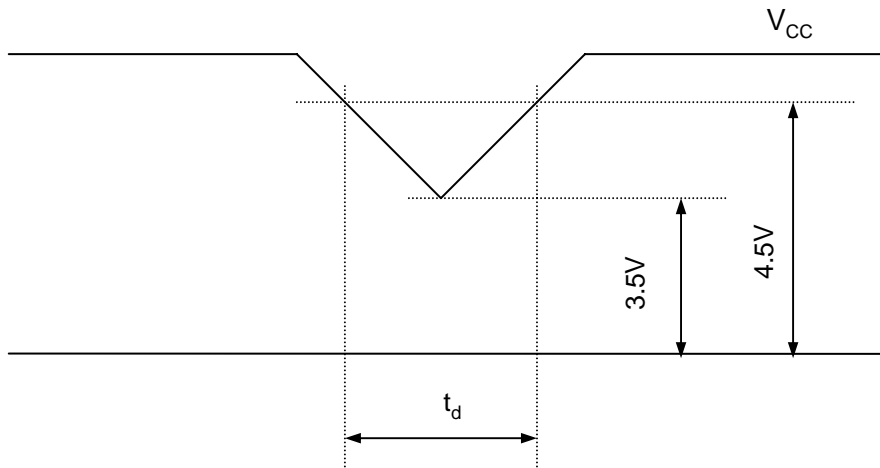
Table 8. Power sequence time delay

Parameter	Values			Units
	Min.	Typ.	Max.	
T ₁	0.5	-	10	ms
T ₂	0.01	-	50	ms
T ₃	200	-	-	ms
T ₄	200	-	-	ms
T ₅	0.01	-	50	ms
T ₆	0.01	-	10	ms
T ₇	1	-	-	s

- Notes :
1. Please avoid floating state of interface signal at invalid period.
 2. When the interface signal is invalid, be sure to pull down the power supply for LCD V_{CC} to 0V.
 3. Lamp power must be turn on after power supply for LCD and interface signals are valid.

Product Specification

3-7. V_{CC} Power Dip Condition



[Figure 8] Power dip condition

1) Dip condition

$$3.5V \leq V_{CC} < 4.5V, t_d \leq 20ms$$

2) $V_{CC} < 3.5V$

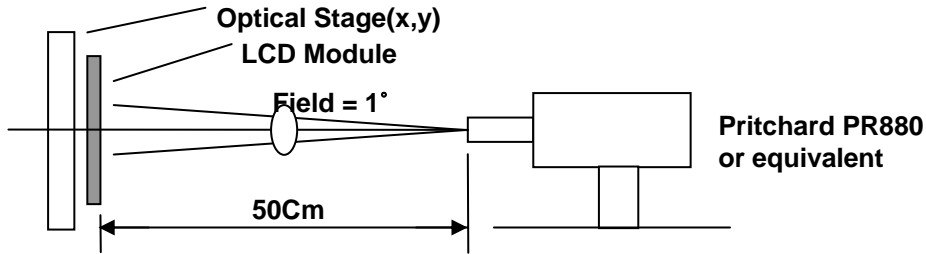
V_{CC} -dip conditions should also follow the Power On/Off conditions for supply voltage.

Product Specification

4. Optical Specifications

Optical characteristics are determined after the unit has been 'ON' and stable for approximately 30 minutes in a dark environment at 25 °C. The values specified are measured at an approximate distance 50cm from the LCD surface at a viewing angle of Φ and θ equal to 0 °.

Figure. 9 presents additional information concerning the measurement equipment and method.



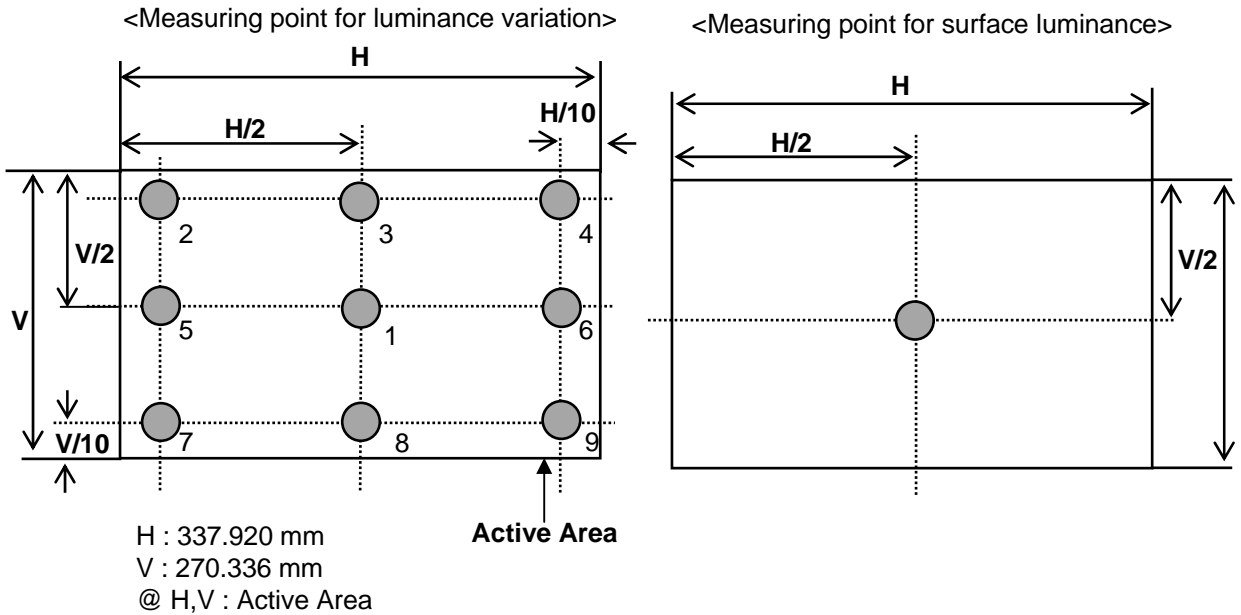
[Figure 9] Optical characteristic measurement equipment and method

Table 9. Optical characteristics (Ta=25 °C, V_{CC}=5.0V, f_V=60Hz Dclk=54MHz, I_{BL}=6.5mArms)

Parameter	Symbol	Values			Units	Notes
		Min.	Typ.	Max.		
Contrast ratio	CR	500	800	-		1
Surface luminance, white	L _{WH}	250	300	-	cd/m ²	2
Luminance uniformity	ΔL_g	75	-	-	%	3
Response time	T _r		5	10	ms	4
Rise time	T _{rR}	-	1.3	2.6		
Decay time	T _{rD}	-	3.7	7.4		
CIE color coordinates						
Red	XR	0.605	0.635	0.665		
	YR	0.312	0.342	0.372		
Green	XG	0.262	0.292	0.322		
	YG	0.581	0.611	0.641		
Blue	XB	0.117	0.147	0.177		
	YB	0.040	0.070	0.100		
White	XW	0.283	0.313	0.343		
	YW	0.299	0.329	0.359		
Viewing angle (by CR ≥ 10)						
X axis, right ($\phi=0^\circ$)	θ_r	70	80	-	degree	5
X axis, left ($\phi=180^\circ$)	θ_l	70	80	-		
Y axis, up ($\phi=90^\circ$)	θ_u	60	75	-		
Y axis, down ($\phi=270^\circ$)	θ_d	70	85	-		
Viewing angle (by CR ≥ 5)						
X axis, right ($\phi=0^\circ$)	θ_r	75	88	-	degree	
X axis, left ($\phi=180^\circ$)	θ_l	75	88	-		
Y axis, up ($\phi=90^\circ$)	θ_u	70	85	-		
Y axis, down ($\phi=270^\circ$)	θ_d	70	85	-		
Relative brightness						
Luminance uniformity - Angular dependence (TCO'03)		-	-	1.7		6 Figure 10

Product Specification

Figure 10. Luminance measuring point



< Luminance Uniformity - angular – dependence (L_R & T_B)
TCO '03 Luminance uniformity – angular dependence, is the capacity of the VDU to present the same luminance level independently of the viewing direction. The angular-dependent luminance uniformity is calculated as the ratio of maximum luminance to minimum luminance in the specified measurement areas.

Test pattern : 80% white pattern
Test point : 2-point
Test distance : $D * 1.5 = 64.77$ cm
Test method : $L_R = ((L_{max.+30deg.} / L_{min.+30deg.}) + (L_{max.-30deg.} / L_{min.-30deg.})) / 2$
 $T_B = ((L_{max.+15deg.} / L_{min.+15deg.}))$

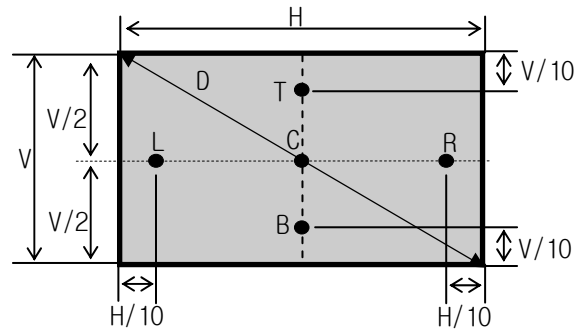
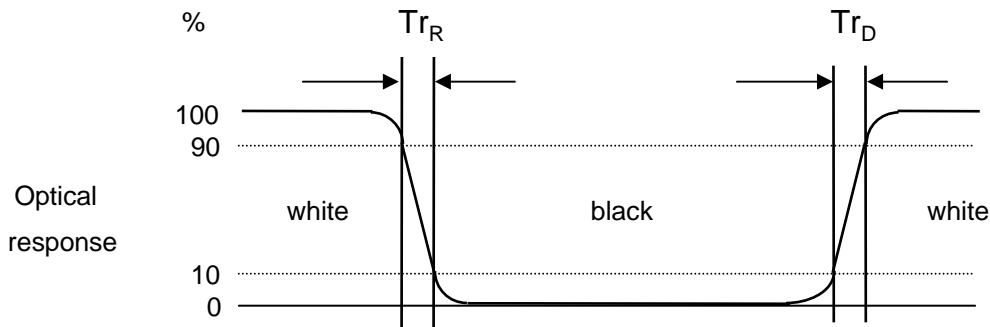


Figure 11. Response time

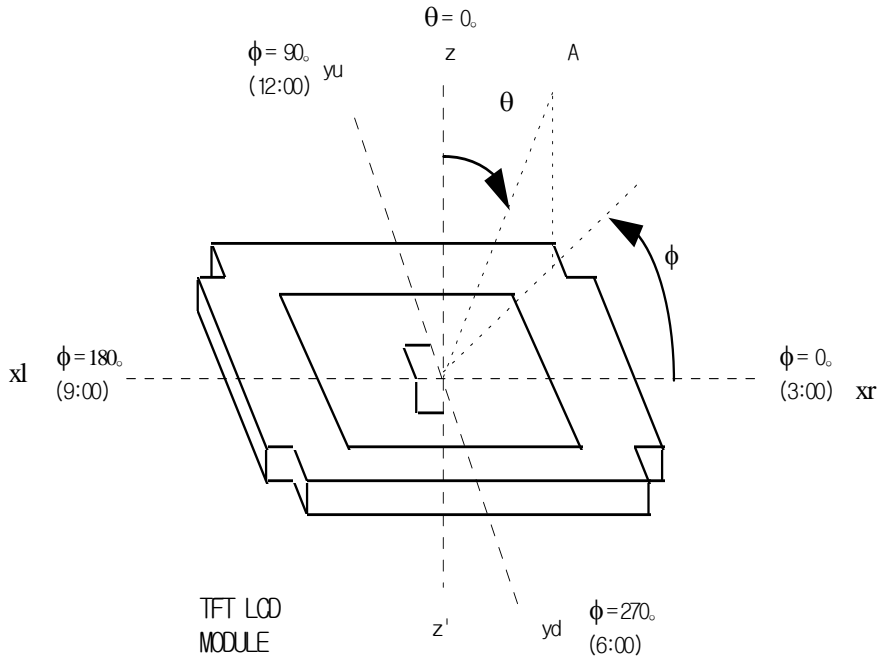
The response time is defined as the following Figure and shall be measured by switching the input signal for “black” and “white”.



Product Specification

Figure 12. Viewing angle

<Dimension of viewing angle range>



Product Specification

5. Mechanical Characteristics

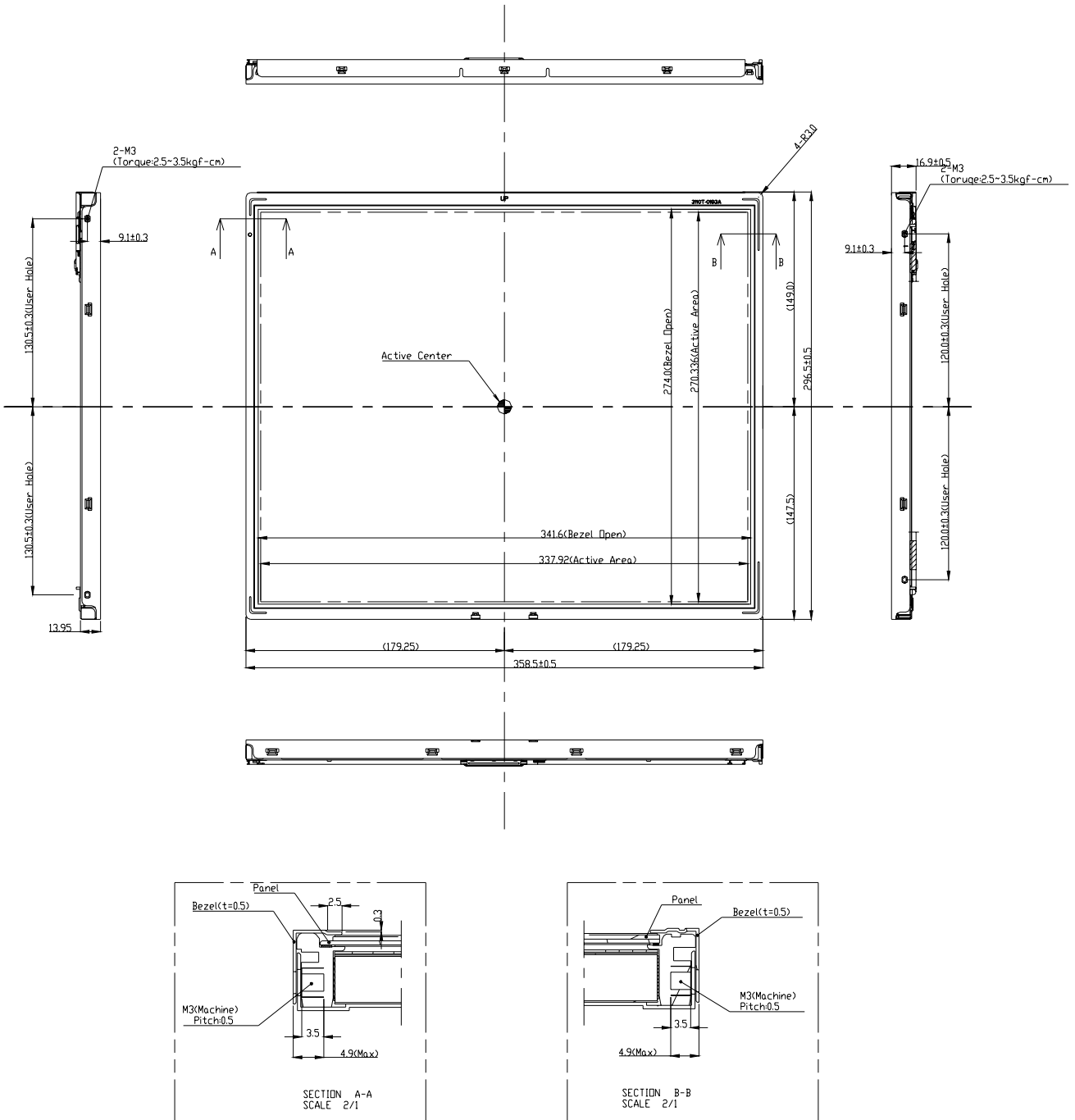
Table 11. provides general mechanical characteristics for the model LM170E03-TLB1. Please refer to Figure 15,16 regarding the detailed mechanical drawing of the LCD.

Table 11. Mechanical characteristics

Outside dimensions	Horizontal	358.5 ± 0.5mm
	Vertical	296.5 ± 0.5mm
	Depth	17.0 ± 0.5mm
Bezel area	Horizontal	341.6 ± 0.5mm
	Vertical	274.0 ± 0.5mm
Active display area	Horizontal	337.920mm
	Vertical	270.336mm
Weight(approximate)	1890g(Typ.), 1940g(Max.)	
Surface Treatment	Hard coating(3H) Anti-glare treatment of the front polarizer	

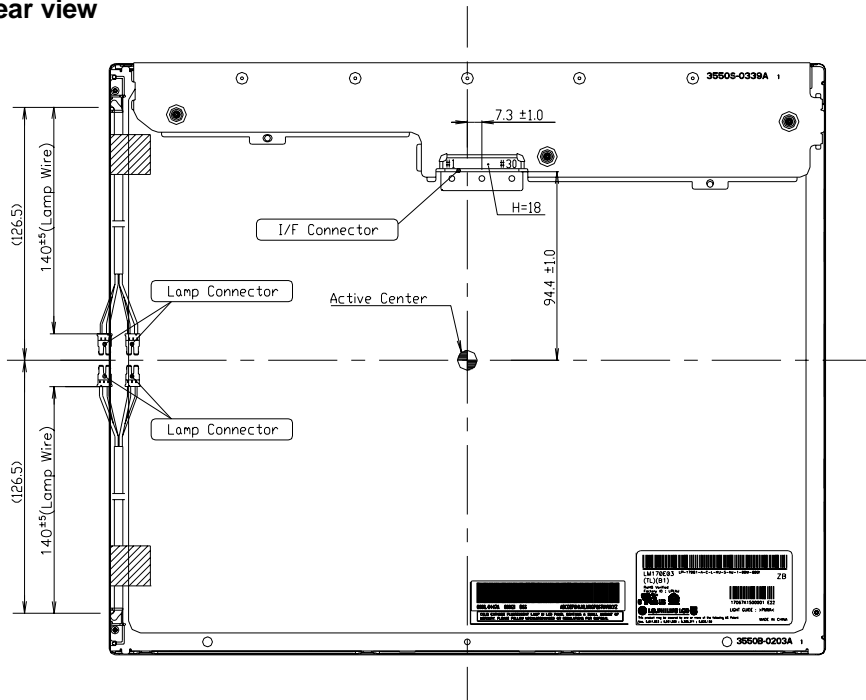
Product Specification

Figure 15. Front view



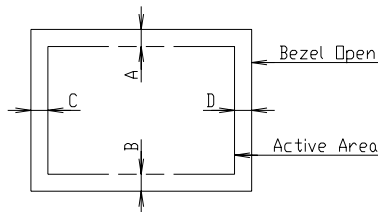
Product Specification

Figure 15. Rear view

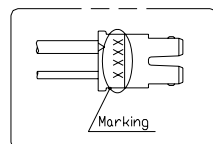


NOTES

1. Backlight : 4 Cold Cathode Fluorescent Lamps.
2. I/F Connector Specification.
 - LSC GT103-30S-H23-M or Equivalent.
3. Lamp Connector Specification.
 - JST BHSR-02VS-2 Only.
4. Depth of user hole screw insertion : Max 4.9mm.
5. Torque of user hole : 2.5~3.5kgf-cm.
6. Gap between Bezel and Panel : Max 0.6mm.
7. Tilt and partial disposition tolerance of display area as following.
 - (1) Y-Direction : A-B < 1.0
 - (2) X-Direction : C-D < 1.0



8. Lamp(CCFL) lot No. is marked at backlight connector.



9. Do not wind conductive tape around the backlight wires.
10. Unspecified tolerances to be $\pm 0.5\text{mm}$.

Product Specification

6. Reliability

Table 12. Environment test condition

No.	Test item	Conditions
1	High temperature storage test	Ta= 60°C 240h
2	Low temperature storage test	Ta= -20°C 240h
3	High temperature operation test	Ta= 50°C 50%RH 240h
4	Low temperature operation test	Ta= 0°C 240h
5	Vibration test (non-operating)	Wave form : random Vibration level : 1.0G RMS Bandwidth : 10-500Hz Duration : X,Y,Z, 20 min. One time each direction
6	Shock test (non-operating)	Shock level : 120G Waveform : half sine wave, 2ms Direction : ±X, ±Y, ±Z One time each direction
7	Altitude storage / shipment	0 - 40,000 feet(12,192m)

{ Result evaluation criteria }

There should be no change which might affect the practical display function when the display quality test is conducted under normal operating condition.

Product Specification

7. International Standards

7-1. Safety

- a) UL 60950-1:2003, First Edition, Underwriters Laboratories, Inc., Standard for Safety of Information Technology Equipment.
- b) CAN/CSA C22.2, No. 60950-1-03 1st Ed. April 1, 2003, Canadian Standards Association, Standard for Safety of Information Technology Equipment.
- c) EN 60950-1:2001, First Edition, European Committee for Electrotechnical Standardization(CENELEC) European Standard for Safety of Information Technology Equipment.
- d) RoHS, Directive 2002/95/EC of the European Parliament and of the council of 27 January 2003

7-2. EMC

- a) ANSI C63.4 "Methods of Measurement of Radio-Noise Emissions from Low-Voltage Electrical and Electrical Equipment in the Range of 9kHz to 40GHz. "American National Standards Institute(ANSI), 1992
- b) C.I.S.P.R "Limits and Methods of Measurement of Radio Interface Characteristics of Information Technology Equipment." International Special Committee on Radio Interference.
- c) EN 55022 "Limits and Methods of Measurement of Radio Interface Characteristics of Information Technology Equipment." European Committee for Electrotechnical Standardization.(CENELEC), 1998 (Including A1: 2000)

Product Specification

8. Packing

8-1. Designation of Lot Mark

a) Lot Mark

A	B	C	D	E	F	G	H	I	J	K	L	M
---	---	---	---	---	---	---	---	---	---	---	---	---

A,B,C : SIZE(INCH)
E : MONTH

D : YEAR
F ~ M : SERIAL NO.

Note

1. YEAR

Year	2001	2002	2003	2004	2005	2006	2007	2008	2009	2010
Mark	1	2	3	4	5	6	7	8	9	0

2. MONTH

Month	Jan	Feb	Mar	Apr	May	Jun	Jul	Aug	Sep	Oct	Nov	Dec
Mark	1	2	3	4	5	6	7	8	9	A	B	C

b) Location of Lot Mark

Serial No. is printed on the label. The label is attached to the backside of the LCD module.
This is subject to change without prior notice.

8-2. Packing Form

a) Package quantity in one box : 9 pcs

b) Box size : 492mm X 434mm X 380mm

Product Specification

9. Precautions

Please pay attention to the following when you use this TFT LCD module.

9-1. Mounting Precautions

- (1) You must mount a module using holes arranged in four corners or four sides.
- (2) You should consider the mounting structure so that uneven force(ex. twisted stress) is not applied to the module.
And the case on which a module is mounted should have sufficient strength so that external force is not transmitted directly to the module.
- (3) Please attach a transparent protective plate to the surface in order to protect the polarizer.
Transparent protective plate should have sufficient strength in order to the resist external force.
- (4) You should adopt radiation structure to satisfy the temperature specification.
- (5) Acetic acid type and chlorine type materials for the cover case are not describe because the former generates corrosive gas of attacking the polarizer at high temperature and the latter causes circuit break by electro-chemical reaction.
- (6) Do not touch, push or rub the exposed polarizers with glass, tweezers or anything harder than HB pencil lead. And please do not rub with dust clothes with chemical treatment.
Do not touch the surface of polarizer for bare hand or greasy cloth.(Some cosmetics are determined to the polarizer.)
- (7) When the surface becomes dusty, please wipe gently with absorbent cotton or other soft materials like chamois soaks with petroleum benzene. Normal-hexane is recommended for cleaning the adhesives used to attach front / rear polarizers. Do not use acetone, toluene and alcohol because they cause chemical damage to the polarizer.
- (8) Wipe off saliva or water drops as soon as possible. Their long time contact with polarizer causes deformations and color fading.
- (9) Do not open the case because inside circuits do not have sufficient strength.

9-2. Operating Precautions

- (1) The spike noise causes the mis-operation of circuits. It should be lower than following voltage :
 $V = \pm 200\text{mV}$ (Over and under shoot voltage)
- (2) Response time depends on the temperature.(In lower temperature, it becomes longer.)
- (3) Brightness depends on the temperature. (In lower temperature, it becomes lower.)
And in lower temperature, response time(required time that brightness is stable after turned on) becomes longer.
- (4) Be careful for condensation at sudden temperature change. Condensation makes damage to polarizer or electrical contacted parts. And after fading condensation, smear or spot will occur.
- (5) When fixed patterns are displayed for a long time, remnant image is likely to occur.
- (6) Module has high frequency circuits. Sufficient suppression to the electromagnetic interference shall be done by system manufacturers. Grounding and shielding methods may be important to minimized the interference.
- (7) Please do not give any mechanical and/or acoustical impact to LCM. Otherwise, LCM can not be operated its full characteristics perfectly.
- (8) A screw which is fastened up the steels should be a machine screw (if not, it causes metal foreign material and deal LCM a fatal blow)

Product Specification

9-3. Electrostatic Discharge Control

Since a module is composed of electronic circuits, it is not strong to electrostatic discharge. Make certain that treatment persons are connected to ground through wrist band etc. And don't touch interface pin directly.

9-4. Precautions for Strong Light Exposure

Strong light exposure causes degradation of polarizer and color filter.

9-5. Storage

When storing modules as spares for a long time, the following precautions are necessary.

- (1) Store them in a dark place. Do not expose the module to sunlight or fluorescent light. Keep the temperature between 5°C and 35°C at normal humidity.
- (2) The polarizer surface should not come in contact with any other object.
It is recommended that they be stored in the container in which they were shipped.

9-6. Handling Precautions for Protection Film

- (1) The protection film is attached to the bezel with a small masking tape.
When the protection film is peeled off, static electricity is generated between the film and polarizer. This should be peeled off slowly and carefully by people who are electrically grounded and with well ion-blown equipment or in such a condition, etc.
- (2) When the module with protection film attached is stored for a long time, sometimes there remains a very small amount of glue still on the Bezel after the protection film is peeled off.
- (3) You can remove the glue easily. When the glue remains on the Bezel or its vestige is recognized, please wipe them off with absorbent cotton waste or other soft material like chamois soaked with normal-hexane.