

Product Specification

SPECIFICATION FOR APPROVAL

- () Preliminary Specification
- (●) Final Specification

| | |
|-------|---------------------|
| Title | 42.0" WUXGA TFT LCD |
|-------|---------------------|

| | |
|-------|---------|
| BUYER | General |
| MODEL | |

| | |
|----------|--------------------------|
| SUPPLIER | LG.Philips LCD Co., Ltd. |
| *MODEL | LC420WU2 |
| SUFFIX | SLC1 |

*When you obtain standard approval, please use the above model name without suffix

| APPROVED BY | SIGNATURE DATE |
|-------------|----------------|
| / | |
| / | |
| / | |

| APPROVED BY | SIGNATURE DATE |
|-------------------------|----------------|
| J. H. Yoon / G. Manager | |
| REVIEWED BY | |
| J.T. Kim / Manager | |
| PREPARED BY | |
| Y.O. Kim / Engineer | |

Please return 1 copy for your confirmation with your signature and comments.

**TV Product Development Dept.
LG. Philips LCD Co., Ltd**

Product Specification

CONTENTS

| Number | ITEM | Page |
|--------------|--|------|
| | COVER | 1 |
| | CONTENTS | 2 |
| | RECORD OF REVISIONS | 3 |
| 1 | GENERAL DESCRIPTION | 4 |
| 2 | ABSOLUTE MAXIMUM RATINGS | 5 |
| 3 | ELECTRICAL SPECIFICATIONS | 6 |
| 3-1 | ELECTRICAL CHARACTERISTICS | 6 |
| 3-2 | INTERFACE CONNECTIONS | 8 |
| 3-3 | SIGNAL TIMING SPECIFICATIONS | 10 |
| 3-4 | SIGNAL TIMING WAVEFORMS | 12 |
| 3-5 | COLOR DATA REFERENCE | 13 |
| 3-6 | POWER SEQUENCE | 14 |
| 4 | OPTICAL SPECIFICATIONS | 16 |
| 5 | MECHANICAL CHARACTERISTICS | 20 |
| 6 | RELIABILITY | 23 |
| 7 | INTERNATIONAL STANDARDS | 24 |
| 7-1 | SAFETY | 24 |
| 7-2 | EMC | 24 |
| 8 | PACKING | 25 |
| 8-1 | DESIGNATION OF LOT MARK | 25 |
| 8-2 | PACKING FORM | 25 |
| 9 | PRECAUTIONS | 26 |
| 9-1 | MOUNTING PRECAUTIONS | 26 |
| 9-2 | OPERATING PRECAUTIONS | 26 |
| 9-3 | ELECTROSTATIC DISCHARGE CONTROL | 27 |
| 9-4 | PRECAUTIONS FOR STRONG LIGHT EXPOSURE | 27 |
| 9-5 | STORAGE | 27 |
| 9-6 | HANDLING PRECAUTIONS FOR PROTECTION FILM | 27 |
| Appendix I | LVDS Signal Connection Example | 28 |
| Appendix II | LC420WU2-SLC1 Packing Ass'y | 29 |
| Appendix III | LCM Label | 30 |
| Appendix IV | Pallet Label | 31 |

Product Specification

RECORD OF REVISIONS

| Revision No. | Revision Date | Page | Description |
|--------------|---------------|----------|--|
| 0.0 | Oct.13, 2006 | - | Preliminary Specification(First Draft) |
| 0.2 | Jan.08,2007 | 4,6 | Update Power Consumptions |
| | | 7 | Update ELECTRICAL CHARACTERISTICS |
| | | 14 | Change Power Sequence |
| | | 16,17 | Update Optical Specification |
| | | 28,29,30 | Update Packing Information |
| 1.0 | Jan.15,2007 | 28 | Update LVDS signal Connection Example |
| | | | Final Specification |
| | | | |
| | | | |
| | | | |
| | | | |
| | | | |
| | | | |
| | | | |
| | | | |
| | | | |
| | | | |
| | | | |
| | | | |
| | | | |
| | | | |
| | | | |
| | | | |
| | | | |
| | | | |
| | | | |

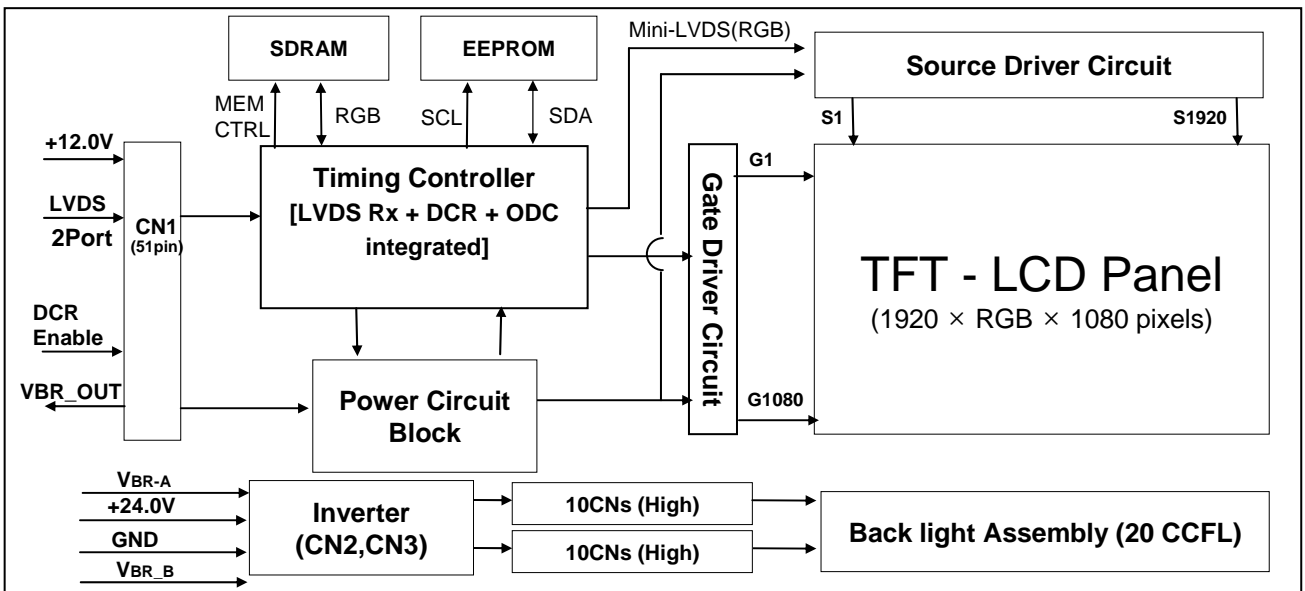
Product Specification

1. General Description

The LC420WU2 is a Color Active Matrix Liquid Crystal Display with an integral Cold Cathode Fluorescent Lamp(CCFL) backlight system. The matrix employs a-Si Thin Film Transistor as the active element. It is a transmissive display type which is operating in the normally black mode. It has a 42.02 inch diagonally measured active display area with WUXGA resolution (1080 vertical by 1920 horizontal pixel array). Each pixel is divided into Red, Green and Blue sub-pixels or dots which are arrayed in vertical stripes. Gray scale or the luminance of the sub-pixel color is determined with a 10-bit gray scale signal for each dot. Therefore, it can present a palette of more than 1.07Billion(true) colors.

It has been designed to apply the 10-bit 2-port LVDS interface.

It is intended to support LCD TV, PCTV where high brightness, super wide viewing angle, high color gamut, high color depth and fast response time are important.



General Features

| | |
|-----------------------|---|
| Active Screen Size | 42.02 inches(1067.31mm) diagonal |
| Outline Dimension | 983.0(H) x 576.0 (V) x 51.0 mm(D) (Typ.) |
| Pixel Pitch | 0.4845 mm x 0.4845 mm |
| Pixel Format | 1920 horiz. by 1080 vert. Pixels, RGB stripe arrangement |
| Color Depth | 10-bit, 1.07 Billion colors |
| Luminance, White | 500 cd/m ² (Center 1point ,Typ.) |
| Viewing Angle (CR>10) | Viewing angle free (R/L 178 (Typ.), U/D 178 (Typ.)) |
| Power Consumption | Total 172.52 (Typ.) (Logic=7.52 W, Inverter=165W [I _{BL} =6.5 mA]) |
| Weight | 13.0 K g (Typ.) |
| Display Mode | Transmissive mode, Normally black |
| Surface Treatment | Hard coating(3H), Anti-glare treatment of the front polarizer (Haze 13%) |

Product Specification

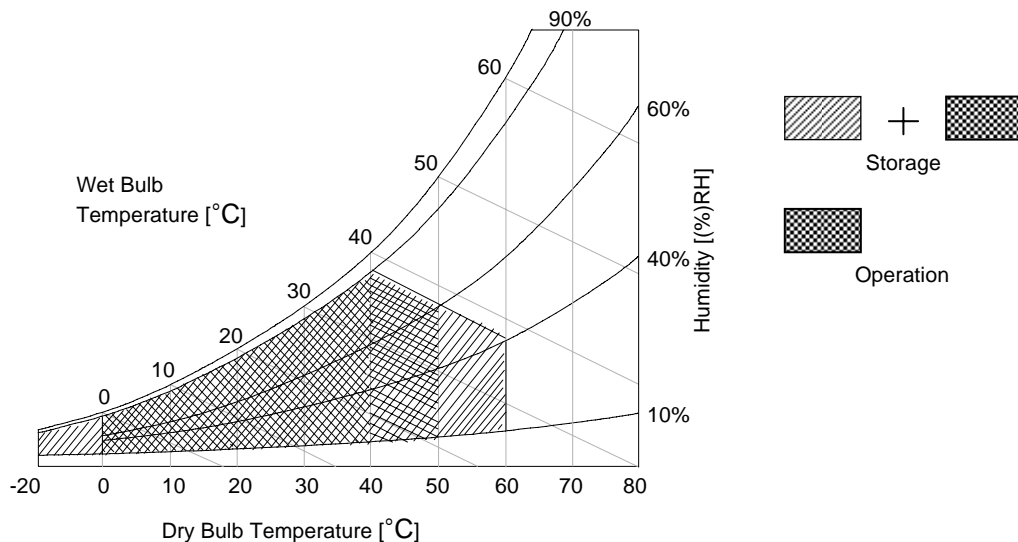
2. Absolute Maximum Ratings

The following items are maximum values which, if exceeded, may cause faulty operation or damage to the LCD module.

Table 1. ABSOLUTE MAXIMUM RATINGS

| Parameter | | Symbol | Value | | Unit | Remark |
|----------------------------|--------------------|---------|-------|-------|------|--------------|
| | | | Min | Max | | |
| Power Input Voltage | LCM | VLCD | -0.3 | +14.0 | Vdc | at 25 ± 2 °C |
| | Backlight Inverter | VBL | +21.6 | +27.0 | Vdc | |
| ON/OFF Control Voltage | | VON/OFF | -0.3 | +5.25 | Vdc | |
| Brightness Control Voltage | | VBR | 0 | +5.0 | Vdc | |
| Operating Temperature | | TOP | 0 | +50 | °C | Note 1,2 |
| Storage Temperature | | TST | -20 | +60 | °C | |
| Operating Ambient Humidity | | HOP | 10 | 90 | %RH | |
| Storage Humidity | | HST | 10 | 90 | %RH | |

Note : 1. Temperature and relative humidity range are shown in the figure below.
Wet bulb temperature should be 39 °C Max. and no condensation of water.
2. Gravity mura can be guaranteed under 40°C condition.



Product Specification

3. Electrical Specifications

3-1. Electrical Characteristics

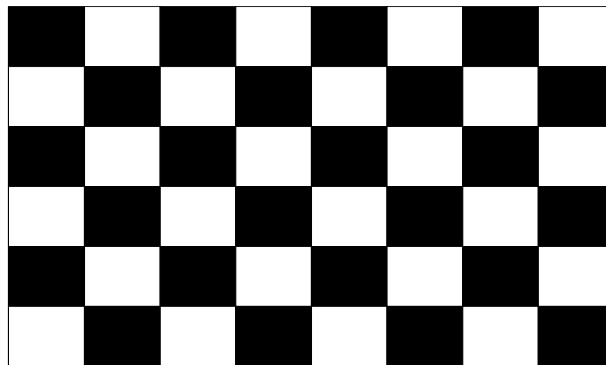
It requires two power inputs. One is employed to power for the LCD circuit. The other is used for the CCFL backlight and inverter circuit.

Table 2. ELECTRICAL CHARACTERISTICS

| Parameter | Symbol | Value | | | Unit | Note |
|---------------------|-------------------|-------|------|------|-----------------|------|
| | | Min | Typ | Max | | |
| Circuit : | | | | | | |
| Power Input Voltage | V _{LCD} | 11.4 | 12.0 | 12.6 | V _{DC} | |
| Power Input Current | I _{LCD} | - | 626 | 814 | mA | 1 |
| | | - | 828 | 1077 | mA | 2 |
| Power Consumption | P _{LCD} | - | 7.52 | 9.77 | Watt | 1 |
| Rush current | I _{RUSH} | - | - | 3.0 | A | 3 |

- Note :
1. The specified current and power consumption are under the $V_{LCD}=12.0V$, $25 \pm 2^{\circ}C$, $f_V=60Hz$ condition whereas mosaic pattern(8 x 6) is displayed and f_V is the frame frequency.
 2. The current is specified at the maximum current pattern.
 3. The duration of rush current is about 2ms and rising time of power input is 1ms (min.).

White : 1023Gray
Black : 0Gray



Mosaic Pattern(8 x 6)

Product Specification

Table 3. ELECTRICAL CHARACTERISTICS (Continue)

| Parameter | | | Symbol | Values | | | Unit | Notes |
|--|-------------------|--------|--------|--------|--------|------|------|--|
| | | | | Min | Typ | Max | | |
| Inverter : | | | | | | | | |
| Power Supply Input Voltage | | | VBL | 22.8 | 24.0 | 25.2 | Vdc | 1 |
| Power Supply Input Voltage Ripple | | | | -0.2 | | 0.2 | Vp-p | 1 |
| Power Supply Input Current | | | IBL | - | 6.8 | 8.2 | A | VBR-B = 3.3V VBR-A = 1.65V |
| | | | | - | 7.6 | 9.1 | A | VBR-B = 3.3V VBR-A = 3.3V |
| Power Supply Input Current(In-Rush) | | | Irush | - | - | 13 | A | VBL = 22.8V VBR-B = 3.3V VBR-A = 1.65V |
| Power Consumption | | | PBL | - | 165 | 196 | W | 1 |
| Input Voltage for Control System Signals | Brightness Adjust | Analog | VBR-A | 0.0 | - | 3.3 | Vdc | |
| | | Burst | VBR-B | 0.0 | - | 3.3 | Vdc | |
| | On/Off | On | V on | 2.5 | - | 5.0 | Vdc | |
| | | Off | V off | -0.3 | 0.0 | 0.5 | Vdc | |
| Lamp : | | | | | | | | |
| Discharge Stabilization Time | | | Ts | | | 3 | min | 4 |
| Life Time | | | | 30,000 | 40,000 | | Hrs | 2,3 |

Notes :

- Electrical characteristics are determined after the unit has been 'ON' and stable for approximately 120 minutes at $25 \pm 2^\circ\text{C}$
The specified current and power consumption are under the typical supply Input voltage 24V and Vbr 1.65V, it is total power consumption.
The ripple voltage of the power supply input voltage is under 0.4 Vp-p.
LPL recommend Input Voltage is $24.0V \pm 5\%$.
- The life is determined as the time at which luminance of the lamp is 50% compared to that of initial value at the typical lamp current on condition of continuous operating at $25 \pm 2^\circ\text{C}$.
Specified value is when lamp is aligned horizontally.
- The lamp life time for LCM is guaranteed minimum 30,000 hours when Vbr(Analog) is typical values.
- The brightness of the lamp after lighted for 5minutes is defined as 100%.
Ts is the time required for the brightness of the center of the lamp to be not less than 95% at typical current.
The screen of LCD module may be partially dark by the time the brightness of lamp is stable after turn on.

Product Specification

3-2. Interface Connections

This LCD module employs two kinds of interface connection, a 51-pin connector is used for the module electronics and Master 14-pin and Slave 12-pin connectors are used for the integral backlight system.

3-2-1. LCD Module

- LCD Connector(CN1): GT05L-51S-H38(manufactured by LS Cable) or FI-R51S-HF(manufactured by JAE)
- Mating Connector : FI-R51HL(JAE) or compatible

Table 4. MODULE CONNECTOR(CN1) PIN CONFIGURATION

| No | Symbol | Description | No | Symbol | Description |
|----|-----------------------|---------------------------------|----|--------|-------------------------|
| 1 | GND | Ground | 27 | GND | Ground |
| 2 | NC | Reserved | 28 | RE0N | SECOND CHANNEL 0- |
| 3 | NC | Reserved | 29 | RE0P | SECOND CHANNEL 0+ |
| 4 | NC | (I2C DATA Interface) | 30 | RE1N | SECOND CHANNEL 1- |
| 5 | NC | (I2C CLK Interface) | 31 | RE1P | SECOND CHANNEL 1+ |
| 6 | NC | (EEPROM Write Protection) | 32 | RE2N | SECOND CHANNEL 2- |
| 7 | LVDS Select | Logic 'L' Level : LG(NS) Format | 33 | RE2P | SECOND CHANNEL 2+ |
| 8 | EXT V _{BR-B} | EXT V _{BR-B} Input | 34 | GND | Ground |
| 9 | DCR V _{BR-B} | DCR V _{BR-B} Output | 35 | RECLKN | SECOND CLOCK CHANNEL C- |
| 10 | DCR Enable | Logic 'L' Level : Disable | 36 | RECLKP | SECOND CLOCK CHANNEL C+ |
| 11 | GND | Ground | 37 | GND | Ground |
| 12 | RO0N | FIRST CHANNEL 0- | 38 | RE3N | SECOND CHANNEL 3- |
| 13 | RO0P | FIRST CHANNEL 0+ | 39 | RE3P | SECOND CHANNEL 3+ |
| 14 | RO1N | FIRST CHANNEL 1- | 40 | RE4N | SECOND CHANNEL 4- |
| 15 | RO1P | FIRST CHANNEL 1+ | 41 | RE4P | SECOND CHANNEL 4+ |
| 16 | RO2N | FIRST CHANNEL 2- | 42 | GND | Ground |
| 17 | RO2N | FIRST CHANNEL 2+ | 43 | GND | Ground |
| 18 | GND | Ground | 44 | GND | Ground (NSB) |
| 19 | ROCLKN | FIRST CLOCK CHANNEL C- | 45 | GND | Ground |
| 20 | ROCLKP | FIRST CLOCK CHANNEL C+ | 46 | GND | Ground |
| 21 | GND | Ground | 47 | NC | NC |
| 22 | RO3N | FIRST CHANNEL 3- | 48 | VLCD | Power Supply +12.0V |
| 23 | RO3P | FIRST CHANNEL 3+ | 49 | VLCD | Power Supply +12.0V |
| 24 | RO4N | FIRST CHANNEL 4- | 50 | VLCD | Power Supply +12.0V |
| 25 | RO4N | FIRST CHANNEL 4+ | 51 | VLCD | Power Supply +12.0V |
| 26 | GND | Ground | - | - | - |

Note :

1. The pin no 44 is LCD Test option.
 "AGP" (Auto Generation LCM operates Pattern) or "NSB" (No Signal Black) is case that LVDS signals are out of frequency or abnormal condition in spite of 12 volt power supply.
 LPL recommends "NSB". (AGP : "V_{cc}" or "OPEN" / NSB : "GND")
2. All GND(ground) pins should be connected together to the LCD module's metal frame.
3. All VLCD (power input) pins should be connected together.
4. All Input levels of LVDS signals are based on the IEA 664 Standard.
5. Specific pins(pin No. #2~#6, #8~#10) are used for internal data process of the LCD module.
 If not used, these pins are no connection.

Product Specification

3-2-2. Backlight Inverter

Master

- Inverter Connector : S14B-PH-SMC
(manufactured by JST) or Equivalent
- Mating Connector : PHR-14 or Equivalent

Slave

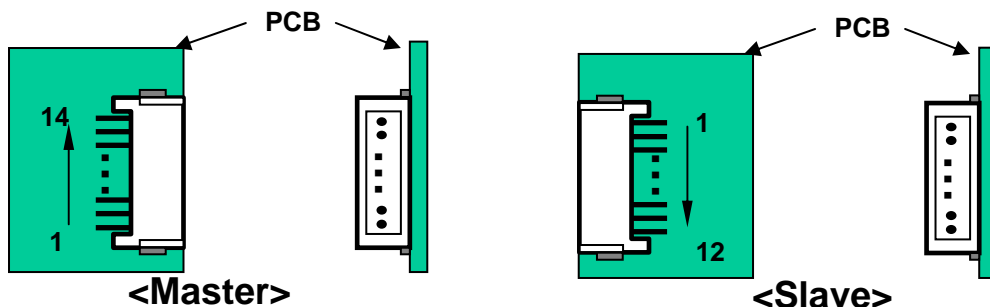
- Inverter Connector : S12B-PH-SMC
(manufactured by JST) or Equivalent
- Mating Connector : PHR-12 or Equivalent

Table 5. INVERTER CONNECTOR PIN CONFIGURATION

| Pin No | Symbol | Description | Master | Slave | Note |
|--------|---------|---|--------|------------|------------------------------------|
| 1 | VBL | Power Supply +24.0V | VBL | VBL | |
| 2 | VBL | Power Supply +24.0V | VBL | VBL | |
| 3 | VBL | Power Supply +24.0V | VBL | VBL | |
| 4 | VBL | Power Supply +24.0V | VBL | VBL | |
| 5 | VBL | Power Supply +24.0V | VBL | VBL | |
| 6 | GND | POWER GND | GND | GND | 1 |
| 7 | GND | POWER GND | GND | GND | |
| 8 | GND | POWER GND | GND | GND | |
| 9 | GND | POWER GND | GND | GND | |
| 10 | GND | POWER GND | GND | GND | |
| 11 | VBR-A | 0.0V ~ 3.3V | VBR-A | Don't care | 2 |
| 12 | VON/OFF | 0.0V ~ 5.0V | On/Off | Don't care | 3, Open/High for B/L on as default |
| 13 | VBR-B | 0.0V ~ 3.3V | VBR-B | - | 4 |
| 14 | Status | 3.0V~5.0V(Normal), 0.0V~0.7V(Abnormal) | Status | - | |

- Note :
1. GND should be connected to the LCD module's metal frame.
 2. Minimum Brightness : VBR-A = 0.0V Maximum Brightness : VBR-A = 3.3V
"OPEN" : VBR-A = 1.65V
 3. Rising Edge : Lamp "ON" / Falling Edge : Lamp "OFF" / OPEN : Lamp "ON"
 4. Pin#13 can be opened. (if Pin #13 is open , VBR-B is 3.3V)

◆ Rear view of LCM



Product Specification

3-3. Signal Timing Specifications

Table 6 shows the signal timing required at the input of the LVDS transmitter. All of the interface signal timing should be satisfied with the following specification for normal operation.

Table 6. TIMING TABLE for NTSC (DE Only Mode)

| ITEM | Symbol | | Min | Typ | Max | Unit | Note |
|-------|------------------------|------|-------|-------|-------|------|----------|
| DCLK | Period | tCLK | 12.99 | 13.47 | 14.29 | ns | |
| | Frequency | - | 70 | 74.25 | 77 | MHz | =148.5/2 |
| Hsync | Period | tHP | 1060 | 1100 | 1280 | tCLK | 1 |
| | Horizontal Valid | tHV | - | 960 | - | tCLK | |
| | Horizontal Blank | tHB | 100 | 140 | 320 | | |
| | Frequency | fH | 65.5 | 67.5 | 68.9 | KHz | |
| | Width | tWH | 12 | 30 | 60 | tCLK | |
| | Horizontal Back Porch | tHBP | 12 | 78 | 120 | | |
| | Horizontal Front Porch | tHFP | 12 | 32 | 120 | | |
| Vsync | Period | tVP | 1091 | 1125 | 1149 | tHP | 1 |
| | Vertical Valid | tVV | - | 1080 | - | tHP | |
| | Vertical Blank | tVB | 11 | 45 | 69 | tHP | |
| | Frequency | fV | 57 | 60 | 63 | Hz | |
| | Width | tWV | 4 | 5 | 10 | tHP | |
| | Vertical Back Porch | tVBP | 6 | 36 | 48 | | |
| | Vertical Front Porch | tVFP | 2 | 4 | 10 | | |

Note : 1. $t_{HB} = t_{HFP} + t_{WH} + t_{HBP}$
 $t_{VB} = t_{VFP} + t_{WV} + t_{VBP}$

The Input of HSYNC & VSYNC signal does not have an effect on normal operation(DE Only Mode).

The performance of the electro-optical characteristics may be influenced by variance of the vertical refresh rate.

Product Specification

Table 7 shows the signal timing required at the input of the LVDS transmitter. All of the interface signal timing should be satisfied with the following specification for normal operation.

Table 7. TIMING TABLE for PAL (DE Only Mode)

| ITEM | Symbol | | Min | Typ | Max | Unit | Note |
|-------|------------------------|------|-------|-------|-------|------|----------|
| DCLK | Period | tCLK | 14.81 | 16.16 | 16.77 | ns | |
| | Frequency | - | 59.63 | 61.88 | 67.5 | MHz | =148.5/2 |
| Hsync | Period | tHP | 1060 | 1100 | 1200 | tCLK | 1 |
| | Horizontal Valid | tHV | - | 960 | - | tCLK | |
| | Horizontal Blank | tHB | 100 | 140 | 240 | | |
| | Frequency | fH | 55.25 | 56.25 | 57.25 | KHz | |
| | Width | tWH | 12 | 30 | 60 | tCLK | |
| | Horizontal Back Porch | tHBP | 12 | 78 | 120 | | |
| | Horizontal Front Porch | tHFP | 12 | 32 | 120 | | |
| Vsync | Period | tVP | 1105 | 1125 | 1145 | tHP | 1 |
| | Vertical Valid | tVV | - | 1080 | - | tHP | |
| | Vertical Blank | tVB | 25 | 45 | 65 | tHP | |
| | Frequency | fV | 47 | 50 | 53 | Hz | |
| | Width | tWV | 4 | 5 | 10 | tHP | |
| | Vertical Back Porch | tVBP | 6 | 36 | 45 | | |
| | Vertical Front Porch | tVFP | 2 | 4 | 10 | | |

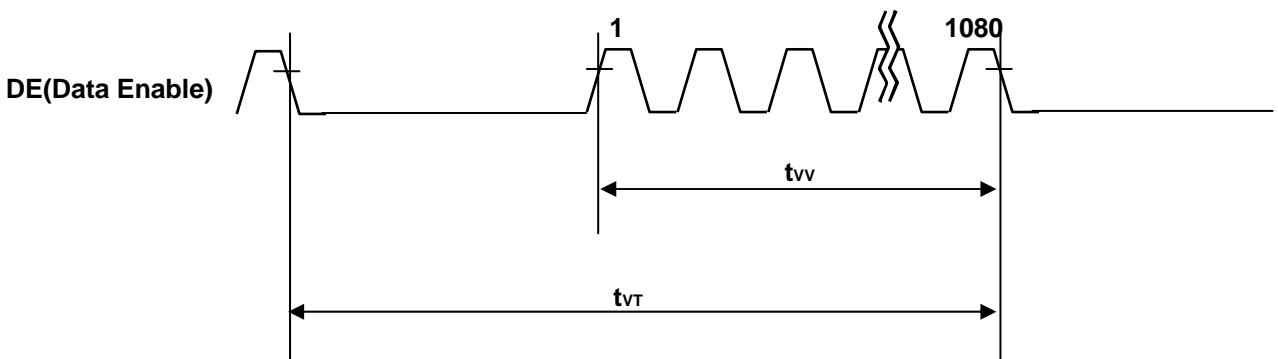
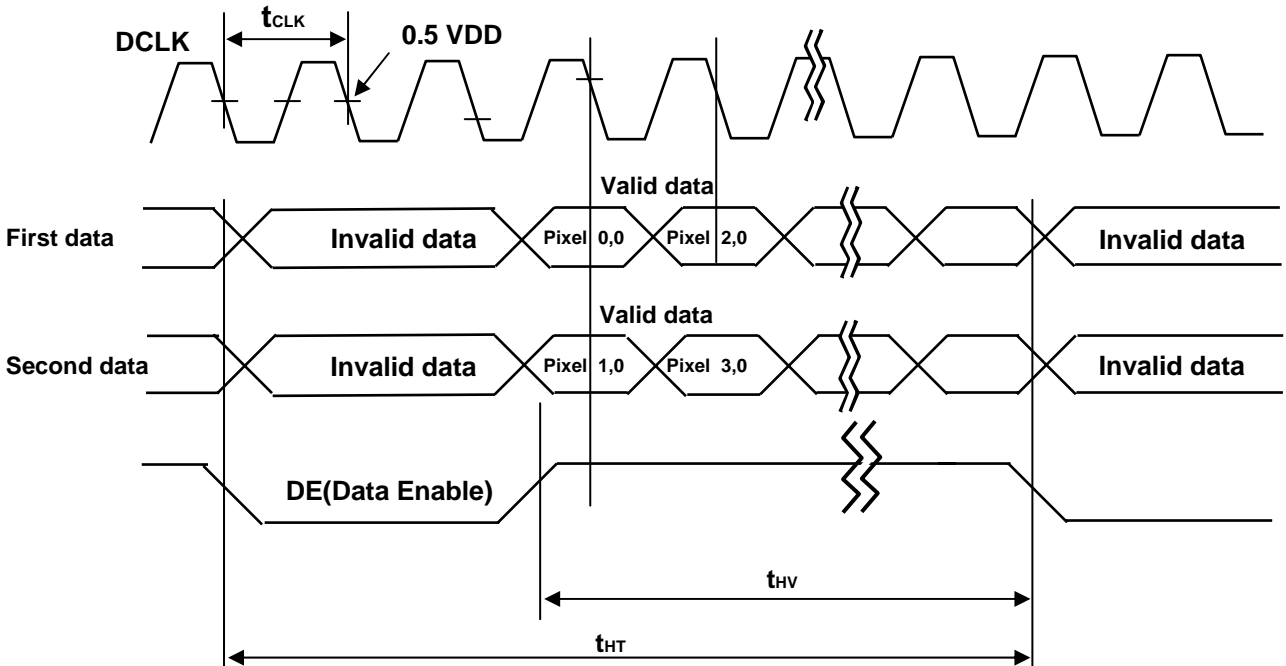
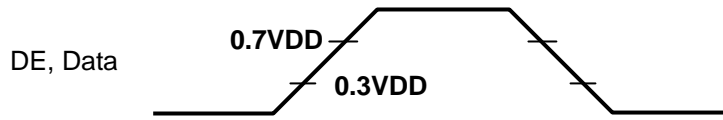
Note : 1. $t_{HB} = t_{HFP} + t_{WH} + t_{HBP}$
 $t_{VB} = t_{VFP} + t_{WV} + t_{VBP}$

The Input of HSYNC & VSYNC signal does not have an effect on normal operation(DE Only Mode).

The performance of the electro-optical characteristics may be influenced by variance of the vertical refresh rate.

Product Specification

3-4. Signal Timing Waveforms



Product Specification

3-5. Color Data Reference

The brightness of each primary color(red,green,blue) is based on the 10-bit gray scale data input for the color. The higher binary input, the brighter the color. Table 10 provides a reference for color versus data input.

Table 8. COLOR DATA REFERENCE

| Color | | Input Color Data | | | | | | | | | | | | | | | | | | | | | | | | | | | | | |
|-------------|--------------|------------------|-----|----|----|----|----|----|----|----|-----|-------|----|----|----|----|----|----|----|-----|-----|------|----|----|----|----|----|----|----|----|----|
| | | RED | | | | | | | | | | GREEN | | | | | | | | | | BLUE | | | | | | | | | |
| | | MSB | LSB | | | | | | | | MSB | LSB | | | | | | | | MSB | LSB | | | | | | | | | | |
| | | R9 | R8 | R7 | R6 | R5 | R4 | R3 | R2 | R1 | R0 | G9 | G8 | G7 | G6 | G5 | G4 | G3 | G2 | G1 | G0 | B9 | B8 | B7 | B6 | B5 | B4 | B3 | B2 | B1 | B0 |
| Basic Color | Black | 0 | 0 | 0 | 0 | 0 | 0 | 0 | 0 | 0 | 0 | 0 | 0 | 0 | 0 | 0 | 0 | 0 | 0 | 0 | 0 | 0 | 0 | 0 | 0 | 0 | 0 | 0 | 0 | 0 | 0 |
| | Red (1023) | 1 | 1 | 1 | 1 | 1 | 1 | 1 | 1 | 1 | 1 | 0 | 0 | 0 | 0 | 0 | 0 | 0 | 0 | 0 | 0 | 0 | 0 | 0 | 0 | 0 | 0 | 0 | 0 | 0 | 0 |
| | Green (1023) | 0 | 0 | 0 | 0 | 0 | 0 | 0 | 0 | 0 | 0 | 1 | 1 | 1 | 1 | 1 | 1 | 1 | 1 | 1 | 1 | 0 | 0 | 0 | 0 | 0 | 0 | 0 | 0 | 0 | 0 |
| | Blue (1023) | 0 | 0 | 0 | 0 | 0 | 0 | 0 | 0 | 0 | 0 | 0 | 0 | 0 | 0 | 0 | 0 | 0 | 0 | 0 | 0 | 1 | 1 | 1 | 1 | 1 | 1 | 1 | 1 | 1 | 1 |
| | Cyan | 0 | 0 | 0 | 0 | 0 | 0 | 0 | 0 | 0 | 0 | 1 | 1 | 1 | 1 | 1 | 1 | 1 | 1 | 1 | 1 | 1 | 1 | 1 | 1 | 1 | 1 | 1 | 1 | 1 | 1 |
| | Magenta | 1 | 1 | 1 | 1 | 1 | 1 | 1 | 1 | 1 | 1 | 0 | 0 | 0 | 0 | 0 | 0 | 0 | 0 | 0 | 0 | 1 | 1 | 1 | 1 | 1 | 1 | 1 | 1 | 1 | 1 |
| | Yellow | 1 | 1 | 1 | 1 | 1 | 1 | 1 | 1 | 1 | 1 | 1 | 1 | 1 | 1 | 1 | 1 | 1 | 1 | 1 | 1 | 0 | 0 | 0 | 0 | 0 | 0 | 0 | 0 | 0 | 0 |
| | White | 1 | 1 | 1 | 1 | 1 | 1 | 1 | 1 | 1 | 1 | 1 | 1 | 1 | 1 | 1 | 1 | 1 | 1 | 1 | 1 | 1 | 1 | 1 | 1 | 1 | 1 | 1 | 1 | 1 | 1 |
| RED | RED (000) | 0 | 0 | 0 | 0 | 0 | 0 | 0 | 0 | 0 | 0 | 0 | 0 | 0 | 0 | 0 | 0 | 0 | 0 | 0 | 0 | 0 | 0 | 0 | 0 | 0 | 0 | 0 | 0 | 0 | |
| | RED (001) | 0 | 0 | 0 | 0 | 0 | 0 | 0 | 0 | 0 | 0 | 0 | 0 | 0 | 0 | 0 | 0 | 0 | 0 | 0 | 0 | 0 | 0 | 0 | 0 | 0 | 0 | 0 | 0 | 0 | |
| | ... | ... | | | | | | | | | | ... | | | | | | | | | | ... | | | | | | | | | |
| | RED (1022) | 1 | 1 | 1 | 1 | 1 | 1 | 1 | 1 | 1 | 0 | 0 | 0 | 0 | 0 | 0 | 0 | 0 | 0 | 0 | 0 | 0 | 0 | 0 | 0 | 0 | 0 | 0 | 0 | 0 | 0 |
| | RED (1023) | 1 | 1 | 1 | 1 | 1 | 1 | 1 | 1 | 1 | 1 | 0 | 0 | 0 | 0 | 0 | 0 | 0 | 0 | 0 | 0 | 0 | 0 | 0 | 0 | 0 | 0 | 0 | 0 | 0 | 0 |
| GREEN | GREEN (000) | 0 | 0 | 0 | 0 | 0 | 0 | 0 | 0 | 0 | 0 | 0 | 0 | 0 | 0 | 0 | 0 | 0 | 0 | 0 | 0 | 0 | 0 | 0 | 0 | 0 | 0 | 0 | 0 | 0 | |
| | GREEN (001) | 0 | 0 | 0 | 0 | 0 | 0 | 0 | 0 | 0 | 0 | 0 | 0 | 0 | 0 | 0 | 0 | 0 | 0 | 0 | 0 | 0 | 0 | 0 | 0 | 0 | 0 | 0 | 0 | 0 | |
| | ... | ... | | | | | | | | | | ... | | | | | | | | | | ... | | | | | | | | | |
| | GREEN (1022) | 0 | 0 | 0 | 0 | 0 | 0 | 0 | 0 | 0 | 0 | 1 | 1 | 1 | 1 | 1 | 1 | 1 | 1 | 1 | 0 | 0 | 0 | 0 | 0 | 0 | 0 | 0 | 0 | 0 | 0 |
| | GREEN (1023) | 0 | 0 | 0 | 0 | 0 | 0 | 0 | 0 | 0 | 0 | 1 | 1 | 1 | 1 | 1 | 1 | 1 | 1 | 1 | 1 | 0 | 0 | 0 | 0 | 0 | 0 | 0 | 0 | 0 | 0 |
| BLUE | BLUE (000) | 0 | 0 | 0 | 0 | 0 | 0 | 0 | 0 | 0 | 0 | 0 | 0 | 0 | 0 | 0 | 0 | 0 | 0 | 0 | 0 | 0 | 0 | 0 | 0 | 0 | 0 | 0 | 0 | 0 | |
| | BLUE (001) | 0 | 0 | 0 | 0 | 0 | 0 | 0 | 0 | 0 | 0 | 0 | 0 | 0 | 0 | 0 | 0 | 0 | 0 | 0 | 0 | 0 | 0 | 0 | 0 | 0 | 0 | 0 | 0 | 1 | |
| | ... | ... | | | | | | | | | | ... | | | | | | | | | | ... | | | | | | | | | |
| | BLUE (1022) | 0 | 0 | 0 | 0 | 0 | 0 | 0 | 0 | 0 | 0 | 0 | 0 | 0 | 0 | 0 | 0 | 0 | 0 | 0 | 0 | 1 | 1 | 1 | 1 | 1 | 1 | 1 | 1 | 1 | 0 |
| | BLUE (1023) | 0 | 0 | 0 | 0 | 0 | 0 | 0 | 0 | 0 | 0 | 0 | 0 | 0 | 0 | 0 | 0 | 0 | 0 | 0 | 0 | 1 | 1 | 1 | 1 | 1 | 1 | 1 | 1 | 1 | 1 |

Product Specification

3-6. Power Sequence

3-6-1. LCD Driving circuit

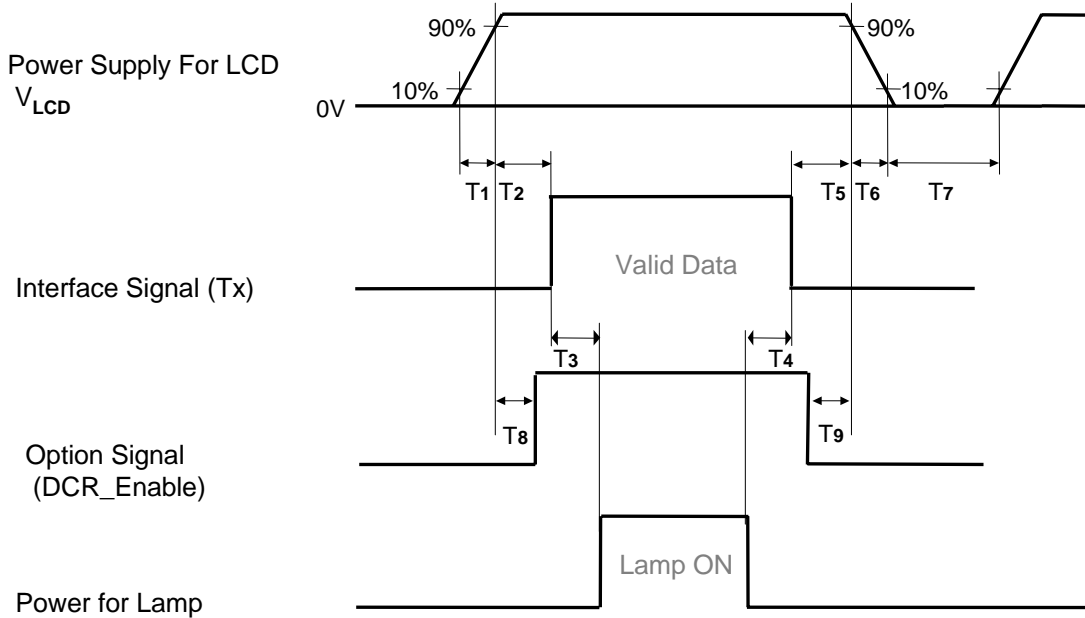


Table 9. POWER SEQUENCE

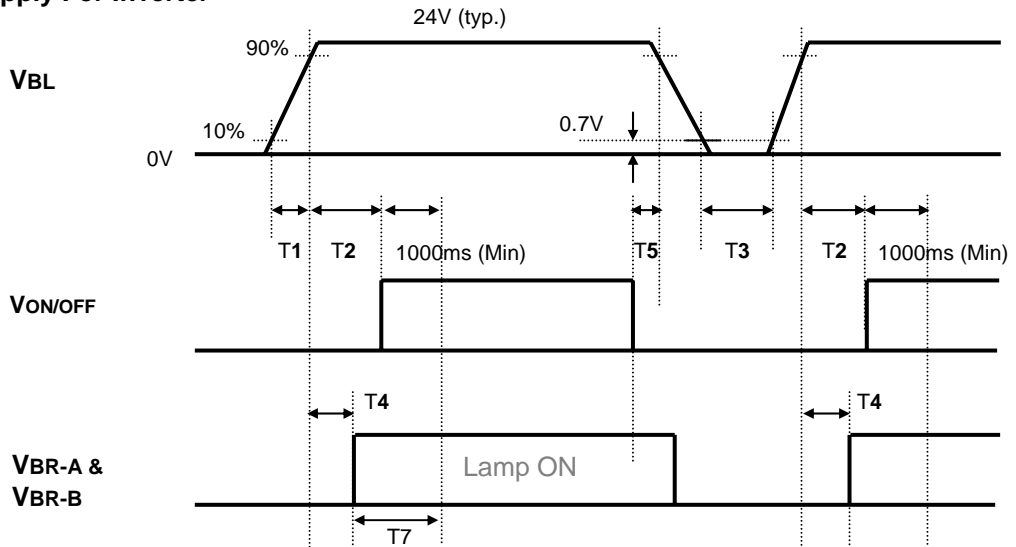
| Parameter | Value | | | Unit |
|-----------|-------------|-----|-----|------|
| | Min | Typ | Max | |
| T1 | 0.5 | - | 20 | ms |
| T2 | 0.5 | - | 50 | ms |
| T3 | 200 | - | - | ms |
| T4 | 200 | - | - | ms |
| T5 | 0.5 | - | 50 | ms |
| T6 | - | - | 300 | ms |
| T7 | 1.0 | - | - | s |
| T8 | 0 < T8 < T2 | | | ms |
| T9 | 0 < T9 < T5 | | | ms |

- Note :
1. Please avoid floating state of interface signal at invalid period.
 2. When the interface signal is invalid, be sure to pull down the power supply V_{LCD} to 0V.
 3. The case when the T2/T5 exceed maximum specification, it operates protection pattern(Black pattern) till valid signal inputted. There is no reliability problem.
 4. The T3/T4 is recommended value, the case when failed to meet a minimum specification, abnormal display would be shown. There is no reliability problem.
 5. If the on time of option signal(DISM or DCR_Enable) precedes the on time of Power(V_{LCD}), check the LCD logic Power(V_{cc}) is under 0.8V, otherwise it will be happened abnormal display.
 6. Flicker would come out when power on-off($T7$ =under 1s) is continuously tested over several ten-times

Product Specification

3-6-2. Sequence for Inverter

Power Supply For Inverter



3-6-3. Deep condition for Inverter

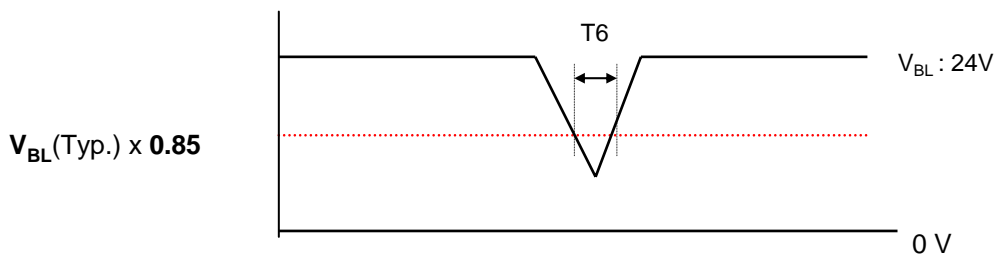


Table 10. Power Sequence for Inverter

| Parameter | Values | | | Units | Remarks |
|-----------|--------|-----|-----|-------|---------------------------|
| | Min | Typ | Max | | |
| T1 | 20 | - | - | ms | 1 |
| T2 | 500 | - | - | ms | |
| T3 | 200 | - | - | ms | |
| T4 | 0 | - | - | ms | 2 |
| T5 | 10 | - | - | ms | |
| T6 | - | - | 10 | ms | $V_{BL}(Typ) \times 0.85$ |
| T7 | 1000 | - | - | ms | 3 |

- Notes : 1. T1 describes rising time of 0V to 24V and this parameter does not applied at restarting time.
 2. T4(max) is less than T2.
 3. In T7 section, VBR-B is recommended 3.3V.

Product Specification

4. Optical Specification

Optical characteristics are determined after the unit has been 'ON' and stable for approximately 30min in a dark environment at $25 \pm 2^\circ\text{C}$. The specified optical values are measured at an approximate 50cm distance from the LCD surface on condition that viewing angle of Φ and θ equal to 0° .

FIG. 1 shows additional information concerning the measurement equipment and method.

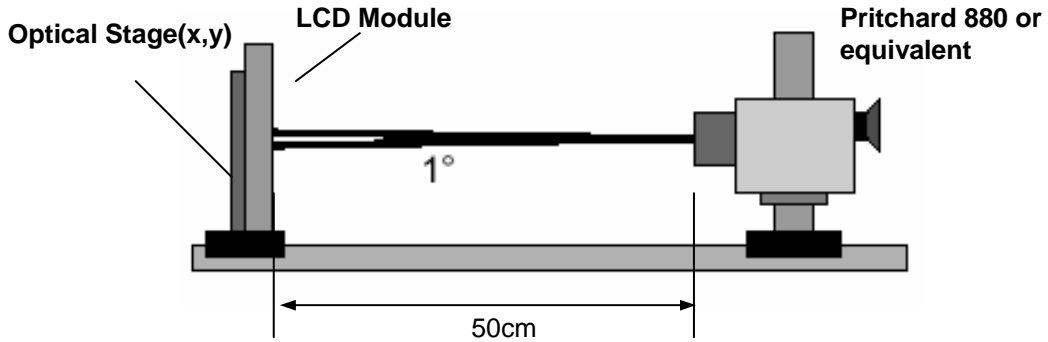


FIG. 1 Optical Characteristic Measurement Equipment and Method

Table 11. OPTICAL CHARACTERISTICS

$T_a = 25 \pm 2^\circ\text{C}$, $V_{LCD} = 12.0\text{V}$, $f_v = 60\text{Hz}$, $D_{clk} = 148.5\text{MHz}$, $V_{BR-A} = 1.65\text{V}$, $V_{BR-B} = 3.30\text{V}$

| Parameter | Symbol | Value | | | Unit | Note | |
|-----------------------------|-----------------------------------|-------------------|--------------|-------|-------------------|--------|---|
| | | Min | Typ | Max | | | |
| Contrast Ratio | CR | 600 | 800 | - | | 1 | |
| Surface Luminance, white | L_{WH} | 400 | 500 | - | cd/m ² | 2 | |
| Luminance Variation | δ_{WHITE} 5P | - | - | 1.3 | | 3 | |
| Response Time | Gray-to-Gray | G to G | - | 8 | 16 | ms | 4 |
| | Rise + decay | $T_{rR} + T_{rD}$ | - | 18 | - | | |
| Color Coordinates [CIE1931] | RED | Rx | Typ -0.03 | 0.664 | Typ +0.03 | | |
| | | Ry | | 0.322 | | | |
| | GREEN | Gx | | 0.197 | | | |
| | | Gy | | 0.662 | | | |
| | BLUE | Bx | | 0.143 | | | |
| | | By | | 0.076 | | | |
| | WHITE | Wx | | 0.279 | | | |
| | Wy | 0.292 | | | | | |
| Viewing Angle (CR>10) | | | | | | | |
| | x axis, right($\phi=0^\circ$) | θ_r | 85 | 89 | - | degree | 5 |
| | x axis, left ($\phi=180^\circ$) | θ_l | 85 | 89 | - | | |
| | y axis, up ($\phi=90^\circ$) | θ_u | 85 | 89 | - | | |
| | y axis, down ($\phi=270^\circ$) | θ_d | 85 | 89 | - | | |
| Gray Scale | | | | 2.2 | | 6 | |

Product Specification

Note :

1. Contrast Ratio(CR) is defined mathematically as :

CR = The Maximum Value of CRn

$$CRn = \frac{\text{Surface Luminance with all white pixels}}{\text{Surface Luminance with all black pixels}}$$

Measure Position : 5-point. See FIG. 2 for more information

2. Surface Luminance(L_{WH}) is the luminance value measured after the unit has been turned on for 30min at an approximate 50cm distance from the center 1-point of LCD surface as all pixels displaying white. See FIG. 2 for more information
3. The variation of surface luminance , δ WHITE is defined as :

$$\delta \text{ WHITE}(5P) = \text{Maximum}(L_{on1}, L_{on2}, L_{on3}, L_{on4}, L_{on5}) / \text{Minimum}(L_{on1}, L_{on2}, L_{on3}, L_{on4}, L_{on5})$$

Where L_{on1} to L_{on5} are the luminance with all pixels displaying white at 5 locations .
For more information, see the FIG. 2.

4. Response time is defined as the required time for the transition from G(N) to G(M) (Rise Time, Tr_R) and from G(M) to G(N) (Decay Time, Tr_D). For additional information see the FIG. 3. ($N < M$)
5. Viewing angle is the angle at which the contrast ratio is greater than 10. The angles are determined for the horizontal or x axis and the vertical or y axis with respect to the z axis which is normal to the LCD module surface. For more information, see the FIG. 4.
6. Gray scale specification
Gamma Value is approximately 2.2. For more information, see the Table 12.

Table 12. GRAY SCALE SPECIFICATION

| Gray Level | Luminance [%] (Typ.) |
|------------|----------------------|
| L0 | 0.19 |
| L63 | 0.39 |
| L127 | 1.16 |
| L191 | 2.61 |
| L255 | 4.80 |
| L319 | 7.77 |
| L383 | 11.6 |
| L447 | 16.2 |
| L511 | 21.7 |
| L575 | 28.2 |
| L639 | 35.5 |
| L703 | 43.8 |
| L767 | 53.0 |
| L831 | 63.3 |
| L895 | 74.5 |
| L959 | 86.7 |
| L1023 | 100 |

Product Specification

Measuring point for surface luminance & measuring point for luminance variation.

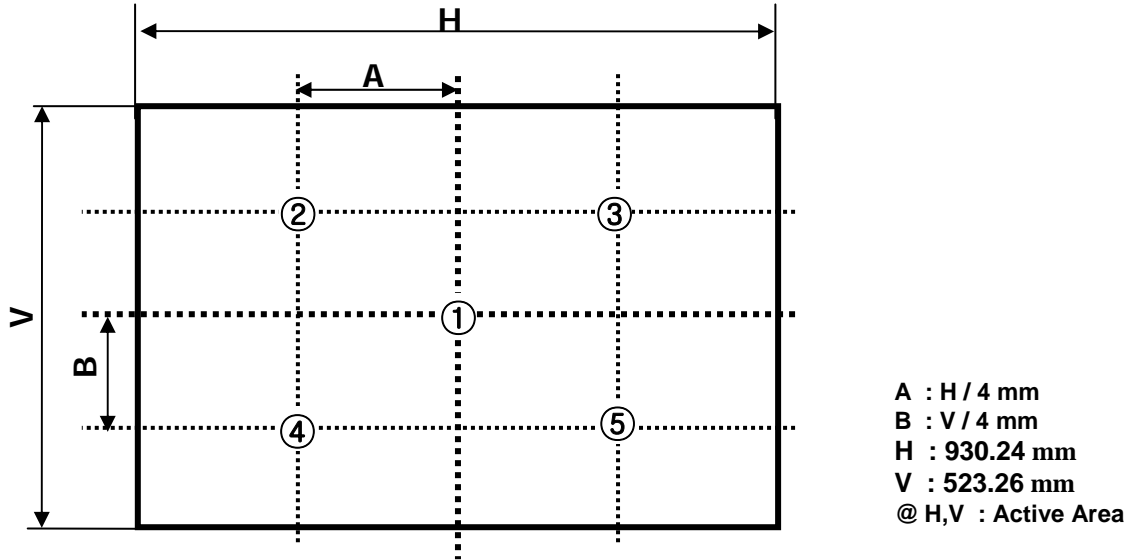


FIG. 2 5 Points for Luminance Measure

Response time is defined as the following figure and shall be measured by switching the input signal for "Gray(N)" and "Gray(M)".

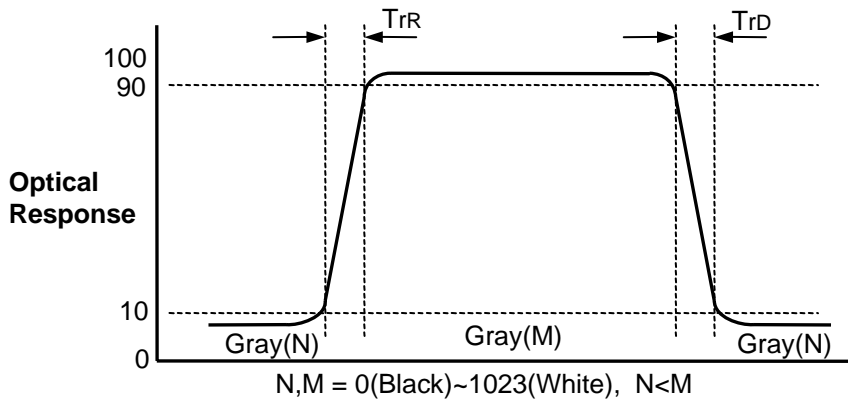


FIG. 3 Response Time

Product Specification

Dimension of viewing angle range

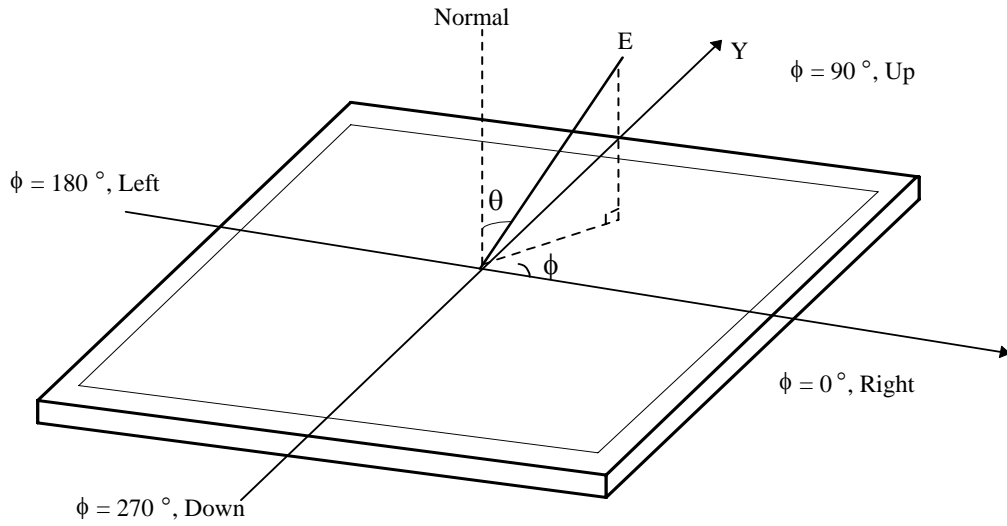


FIG. 4 Viewing Angle

Product Specification

5. Mechanical Characteristics

Table 13 provides general mechanical characteristics.

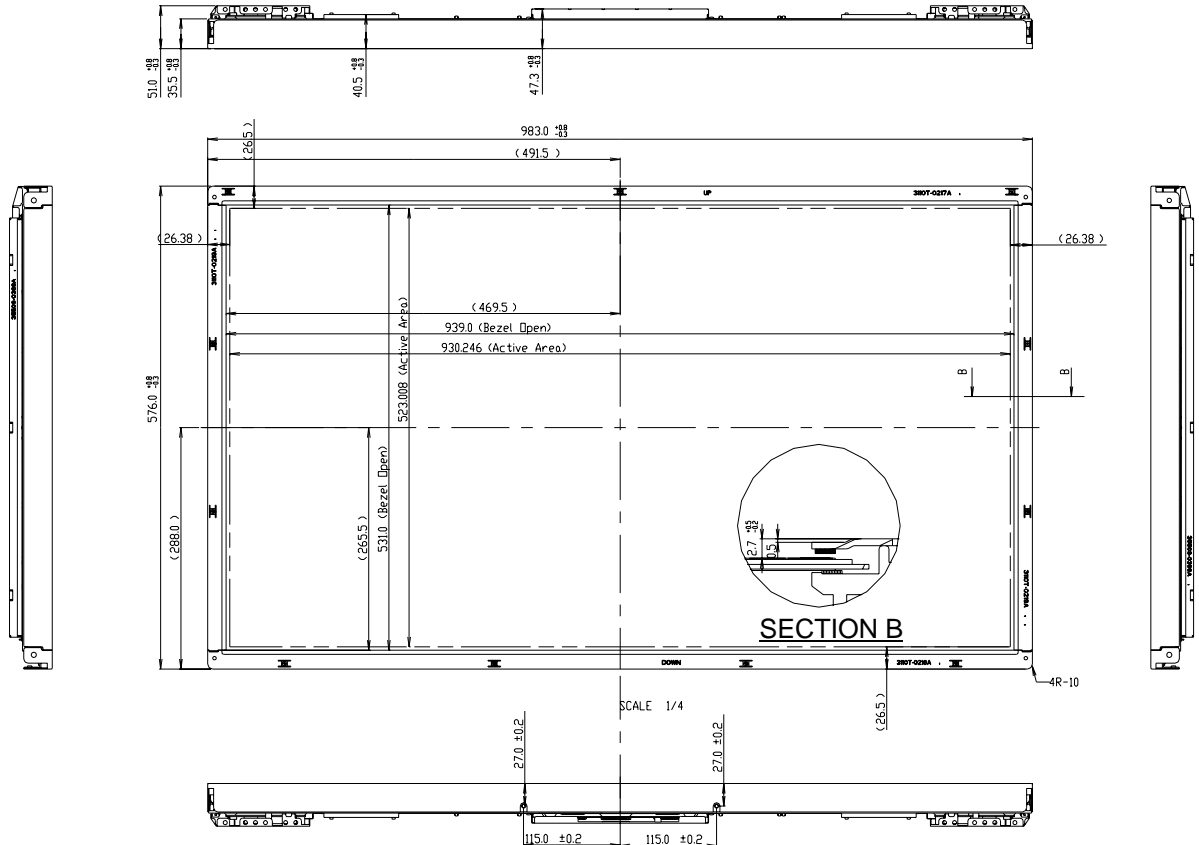
Table 13. MECHANICAL CHARACTERISTICS

| Item | Value | |
|---------------------|--|-----------|
| Outline Dimension | Horizontal | 983.0 mm |
| | Vertical | 576.0 mm |
| | Depth | 51.0 mm |
| Bezel Area | Horizontal | 939.0 mm |
| | Vertical | 531.0 mm |
| Active Display Area | Horizontal | 930.24 mm |
| | Vertical | 523.26 mm |
| Weight | 13.0 Kg (Typ.), 14.0 Kg (Max.) | |
| Surface Treatment | Hard coating(3H) Anti-glare treatment of the front polarizer (Haze 13%) | |

Note : 1.Please refer to a mechanic drawing in terms of tolerance at the next page.

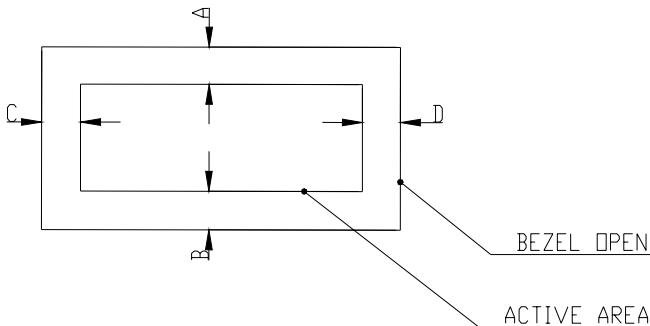
Product Specification

<FRONT VIEW>



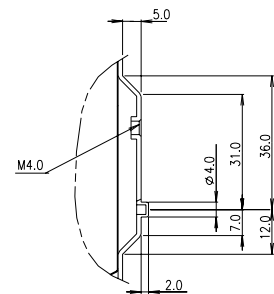
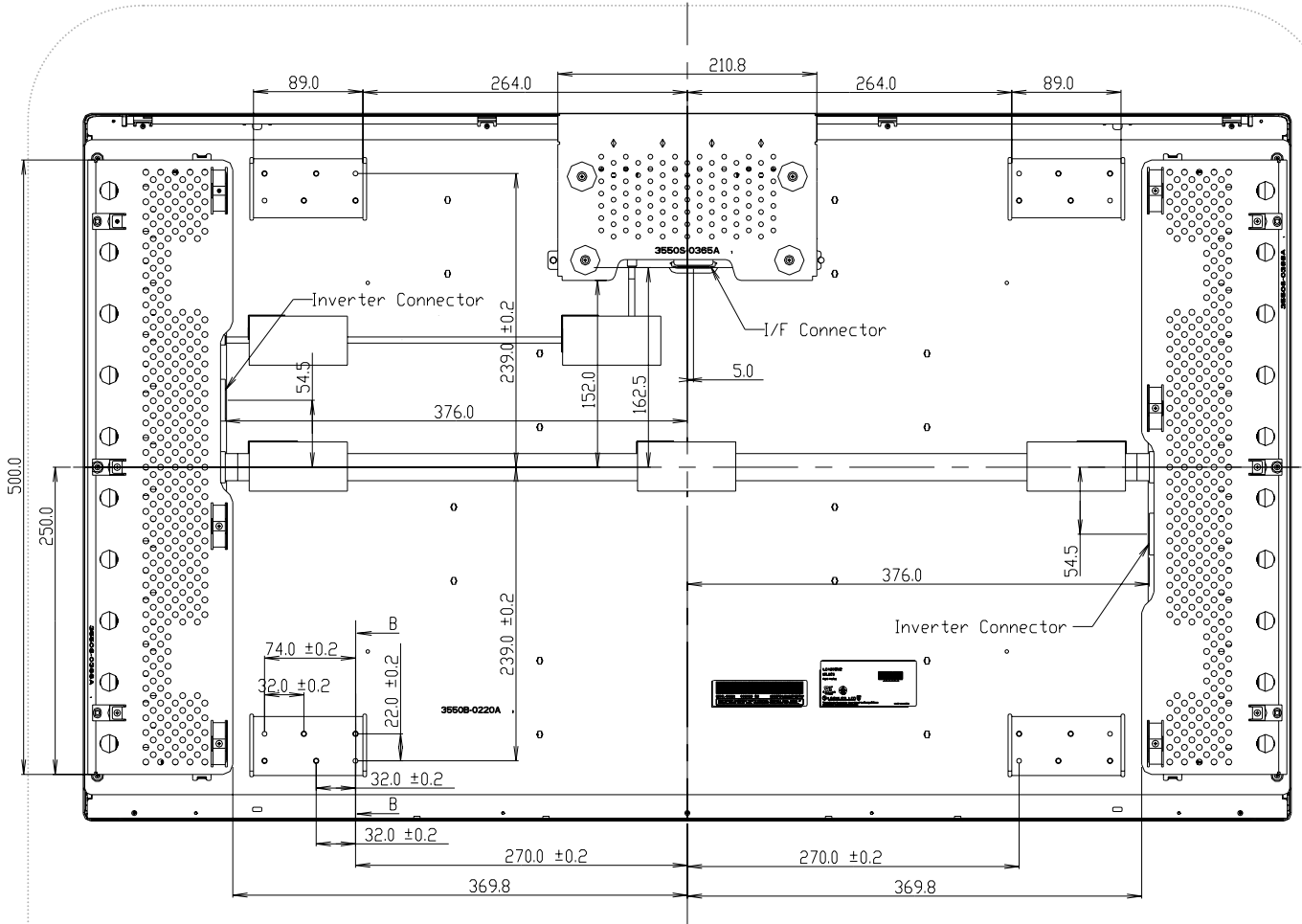
NOTE

1. Unspecified tolerance is $\pm 1.0\text{mm}$
2. Tilt and partial disposition tolerance of display area as follow
 - 1) Y-direction : $ABS(A-B) \leq 1.5$
 - 2) X-direction : $ABS(C-D) \leq 1.5$



Product Specification

<REAR VIEW>



SECTION B-B

Product Specification

6. Reliability

Table 15. ENVIRONMENT TEST CONDITION

| No. | Test Item | Condition |
|-----|--|--|
| 1 | High temperature storage test | Ta= 50°C 240h |
| 2 | Low temperature storage test | Ta= -20°C 240h |
| 3 | High temperature operation test | Ta= 50°C 50%RH 240h |
| 4 | Low temperature operation test | Ta= 0°C 240h |
| 5 | Vibration test (operating) | Wave form : random Vibration level : 1.0Grms Bandwidth : 10-300Hz Duration : X,Y,Z, 30 min One time each direction |
| 6 | Shock test (operating) | Shock level : 50Grms Waveform : half sine wave, 11ms Direction : ±X, ±Y, ±Z One time each direction |
| 7 | Humidity condition Operation | Ta= 40 °C ,90%RH |
| 8 | Altitude operating storage / shipment | 0 - 14,000 feet(4267.2m) 0 - 40,000 feet(12192m) |

7. International Standards

7-1. Safety

- a) UL 60065, 7th Edition, dated June 30, 2003, Underwriters Laboratories, Inc., Standard for Audio, Video and Similar Electronic Apparatus.
- b) CAN/CSA C22.2, No. 60065:03, Canadian Standards Association, Standard for Audio, Video and Similar Electronic Apparatus.
- c) IEC60065:2001, 7th Edition CB-scheme and EN 60065:2002, Safety requirements for Audio, Video and Similar Electronic Apparatus..

7-2. EMC

- a) ANSI C63.4 "Methods of Measurement of Radio-Noise Emissions from Low-Voltage Electrical and Electrical Equipment in the Range of 9kHz to 40GHz. "American National Standards Institute(ANSI), 1992
- b) CISPR22 "Limits and Methods of Measurement of Radio Interface Characteristics of Information Technology Equipment." International Special Committee on Radio Interference.
- c) EN 55022 "Limits and Methods of Measurement of Radio Interface Characteristics of Information Technology Equipment." European Committee for Electrotechnical Standardization.(CENELEC), 1998 (Including A1: 2000)

Product Specification

8. Packing

8-1. Designation of Lot Mark

a) Lot Mark

| | | | | | | | | | | | | |
|---|---|---|---|---|---|---|---|---|---|---|---|---|
| A | B | C | D | E | F | G | H | I | J | K | L | M |
|---|---|---|---|---|---|---|---|---|---|---|---|---|

A,B,C : SIZE(INCH)

D : YEAR

F : PANEL CODE

H : ASSEMBLY CODE

E : MONTH

G : FACTORY CODE

I,J,K,L,M : SERIAL NO.

Note

1. YEAR

| | | | | | | | | | | | |
|------|----|----|----|------|------|------|------|------|------|------|------|
| Year | 97 | 98 | 99 | 2000 | 2001 | 2002 | 2003 | 2004 | 2005 | 2006 | 2007 |
| Mark | 7 | 8 | 9 | 0 | 1 | 2 | 3 | 4 | 5 | 6 | 7 |

2. MONTH

| | | | | | | | | | | | | |
|-------|-----|-----|-----|-----|-----|-----|-----|-----|-----|-----|-----|-----|
| Month | Jan | Feb | Mar | Apr | May | Jun | Jul | Aug | Sep | Oct | Nov | Dec |
| Mark | 1 | 2 | 4 | 4 | 5 | 6 | 7 | 8 | 9 | A | B | C |

b) Location of Lot Mark

Serial NO. is printed on the label. The label is attached to the backside of the LCD module.
This is subject to change without prior notice.

8-2. Packing Form

a) Package quantity in one Pallet : 12 pcs

b) Pallet Size : 1150 mm X 1000 mm X 820 mm.

Product Specification

9. Precautions

Please pay attention to the followings when you use this TFT LCD module.

9-1. Mounting Precautions

- (1) You must mount a module using holes arranged in four corners or four sides.
- (2) You should consider the mounting structure so that uneven force (ex. Twisted stress) is not applied to the module. And the case on which a module is mounted should have sufficient strength so that external force is not transmitted directly to the module.
- (3) Please attach the surface transparent protective plate to the surface in order to protect the polarizer. Transparent protective plate should have sufficient strength in order to resist external force.
- (4) You should adopt radiation structure to satisfy the temperature specification.
- (5) Acetic acid type and chlorine type materials for the cover case are not desirable because the former generates corrosive gas of attacking the polarizer at high temperature and the latter causes circuit break by electro-chemical reaction.
- (6) Do not touch, push or rub the exposed polarizers with glass, tweezers or anything harder than HB pencil lead. And please do not rub with dust clothes with chemical treatment. Do not touch the surface of polarizer for bare hand or greasy cloth.(Some cosmetics are detrimental to the polarizer.)
- (7) When the surface becomes dusty, please wipe gently with absorbent cotton or other soft materials like chamois soaks with petroleum benzene. Normal-hexane is recommended for cleaning the adhesives used to attach front / rear polarizers. Do not use acetone, toluene and alcohol because they cause chemical damage to the polarizer.
- (8) Wipe off saliva or water drops as soon as possible. Their long time contact with polarizer causes deformations and color fading.
- (9) Do not open the case because inside circuits do not have sufficient strength.

9-2. Operating Precautions

- (1) The spike noise causes the mis-operation of circuits. It should be lower than following voltage :
 $V = \pm 200\text{mV}$ (Over and under shoot voltage)
- (2) Response time depends on the temperature.(In lower temperature, it becomes longer.)
- (3) Brightness depends on the temperature. (In lower temperature, it becomes lower.)
And in lower temperature, response time(required time that brightness is stable after turned on) becomes longer.
- (4) Be careful for condensation at sudden temperature change. Condensation makes damage to polarizer or electrical contacted parts. And after fading condensation, smear or spot will occur.
- (5) When fixed patterns are displayed for a long time, remnant image is likely to occur.
- (6) Module has high frequency circuits. Sufficient suppression to the electromagnetic interference shall be done by system manufacturers. Grounding and shielding methods may be important to minimized the interference.
- (7) Please do not give any mechanical and/or acoustical impact to LCM. Otherwise, LCM can't be operated its full characteristics perfectly.
- (8) A screw which is fastened up the steels should be a machine screw.
(if not, it causes metallic foreign material and deal LCM a fatal blow)
- (9) Please do not set LCD on its edge.

Product Specification

9-3. Electrostatic Discharge Control

Since a module is composed of electronic circuits, it is not strong to electrostatic discharge. Make certain that treatment persons are connected to ground through wrist band etc. And don't touch interface pin directly.

9-4. Precautions for Strong Light Exposure

Strong light exposure causes degradation of polarizer and color filter.

9-5. Storage

When storing modules as spares for a long time, the following precautions are necessary.

- (1) Store them in a dark place. Do not expose the module to sunlight or fluorescent light. Keep the temperature between 5°C and 35°C at normal humidity.
- (2) The polarizer surface should not come in contact with any other object.
It is recommended that they be stored in the container in which they were shipped.

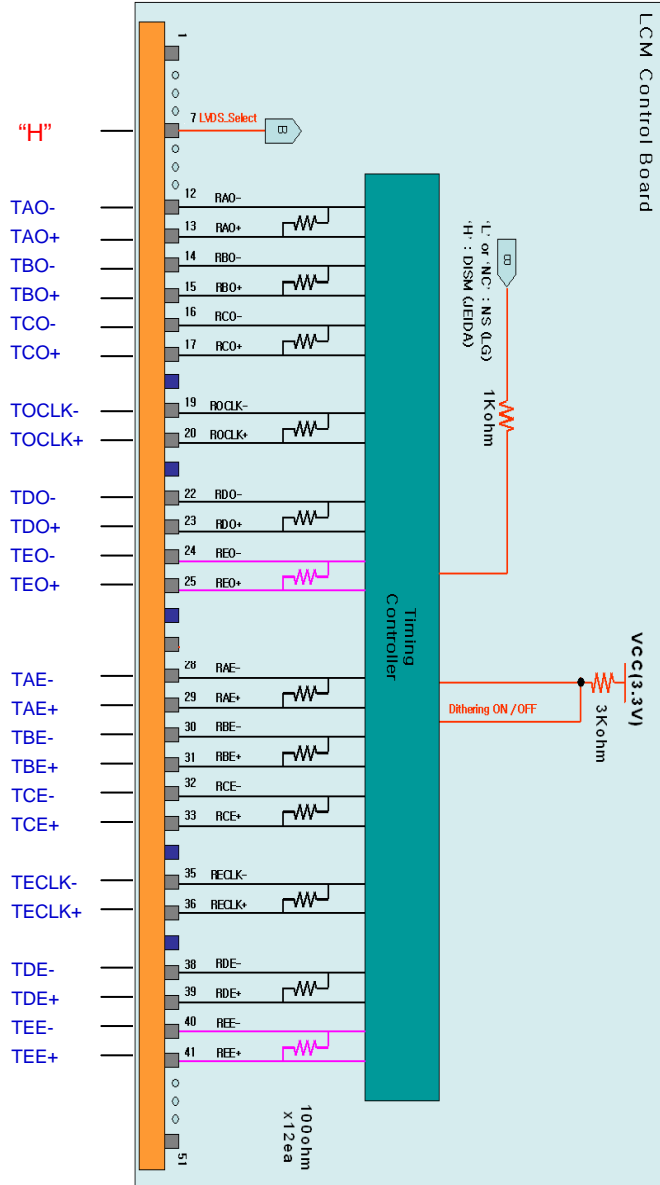
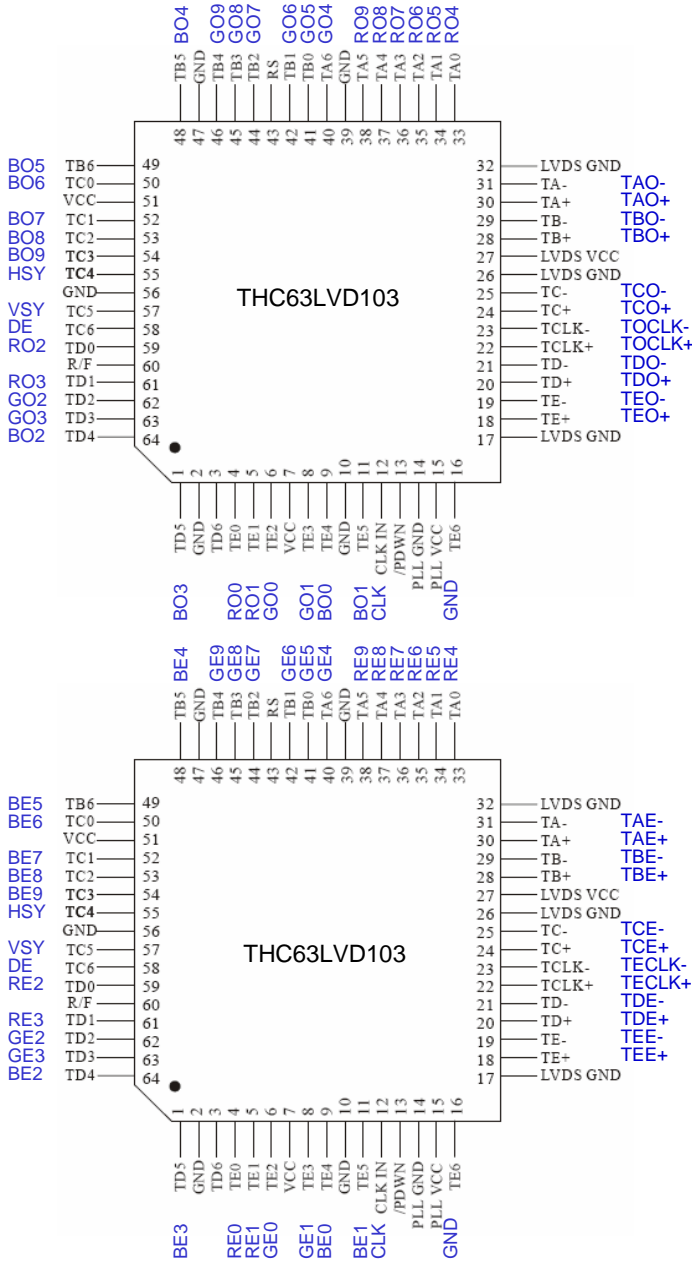
9-6. Handling Precautions for Protection Film

- (1) The protection film is attached to the bezel with a small masking tape.
When the protection film is peeled off, static electricity is generated between the film and polarizer. This should be peeled off slowly and carefully by people who are electrically grounded and with well ion-blown equipment or in such a condition, etc.
- (2) When the module with protection film attached is stored for a long time, sometimes there remains a very small amount of glue still on the bezel after the protection film is peeled off.
- (3) You can remove the glue easily. When the glue remains on the bezel surface or its vestige is recognized, please wipe them off with absorbent cotton waste or other soft material like chamois soaked with normal-hexane.

Product Specification

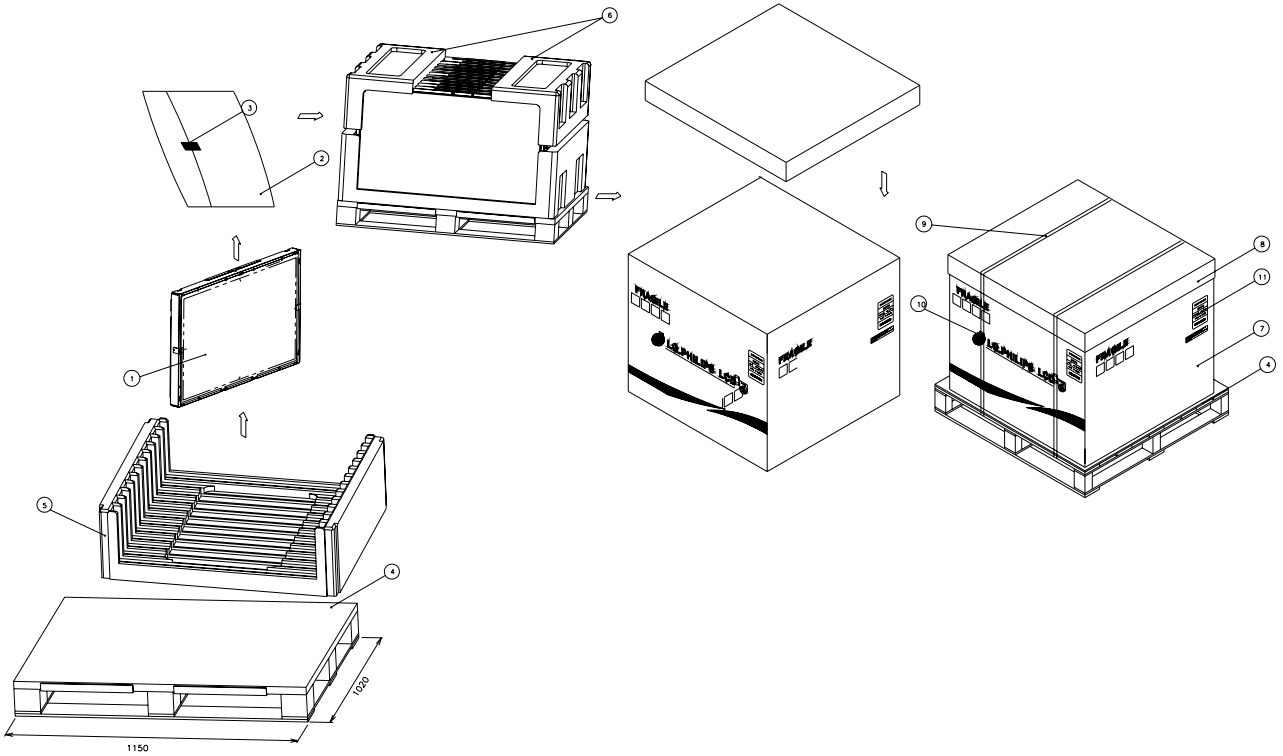
APPENDIX- I

■ LC420WU2-SLC1 10bits LVDS signal Connection Example
[10bit I/F (10bit to 10bit DISM Format)]



APPENDIX- II

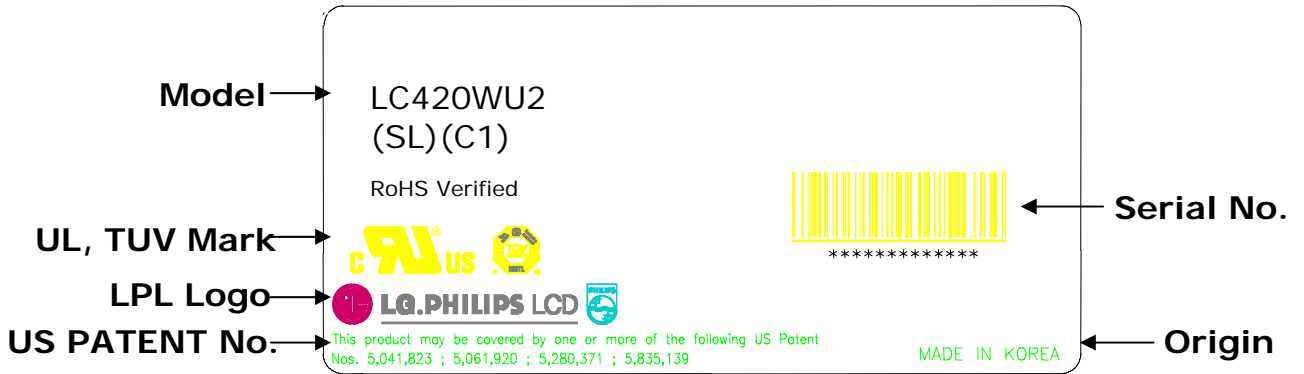
■ LC420WU2-SLC1 Packing Ass'y



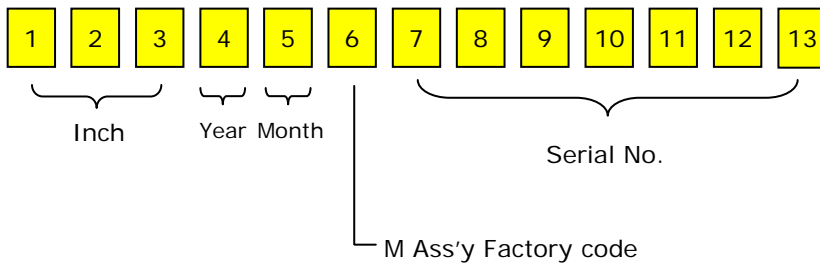
| NO. | DESCRIPTION | MATERIAL |
|-----|---------------|------------------------|
| 1 | LCD Module | |
| 2 | BAG | 42INCH |
| 3 | TAPE | MASKING 20MM X 50M |
| 4 | PALLET | PAPER 1140X1000X138MM |
| 5 | PACKING | EPS |
| 6 | PACKING | EPS |
| 7 | ANGLE PACKING | PAPER |
| 8 | PAPER ANGLE | PAPER |
| 9 | BAND | PP |
| 10 | LABEL | YUPO PAPER 80G 100x100 |
| | | |

APPENDIX- III

■ LCM Label




■ Serial No. (See CAS 25page for more information)



APPENDIX- IV

■ Pallet Label

| | |
|---|---------------|
| LC420WU2 | |
| SLC1 | |
| 12 PCS | 001/01-01 |
| REMARK | |
| MADE IN KOREA | RoHS Verified |
|  ***** ** | |