



Document Title	HSD100IFW1-F Formal specification	Page No.	1/23
Document No.		Revision	1.0

# **HannStar Product Specification** **(Formal)**

## **10.1” Color TFT-LCD Module** **Model: HSD100IFW1** **-F**

Note: 1.Please contact HannStar Display Corp. before designing your product based on this module specification.  
2.The information contained herein is presented merely to indicate the characteristics and performance of our products. No responsibility is assumed by HannStar for any intellectual property claims or other problems that may result from application based on the module described herein.



Document Title	HSD100IFW1-F Formal specification	Page No.	2/23
Document No.		Revision	1.0

### Record of Revisions

Rev.	Date	Sub-Model	Description of change
1.0		F01	Formal product specification was first released



Document Title	HSD100IFW1-F Formal specification	Page No.	3/23
Document No.		Revision	1.0

## Contents

1.0	General description .....	p.4
2.0	Absolute maximum ratings.....	p.5
3.0	Optical characteristics.....	p.6
4.0	Block diagram .....	p.10
5.0	Interface pin connection .....	p.12
6.0	Electrical characteristics .....	p.14
7.0	Reliability test items .....	p.18
8.0	Outline dimension .....	p.19
9.0	Lot mark .....	p.20
10.0	Package specification .....	p.21
11.0	General precaution .....	p.22

Document Title	HSD100IFW1-F Formal specification	Page No.	4/23
Document No.		Revision	1.0

## 1.0 GENERAL DESCRIPTION

### 1.1 Introduction

HannStar Display model HSD100IFW1-F is a color active matrix thin film transistor (TFT) liquid crystal display (LCD) that uses amorphous silicon TFT as a switching device. This model is composed of a TFT LCD panel, a driving circuit and a back light system. This TFT LCD has a 10.1 (17:10) inch diagonally measured active display area with WSVGA (1024 horizontal by 600 vertical pixel) resolution.

### 1.2 Features

- 10.1 (17:10 diagonal) inch configuration
- One channel LVDS interface
- 262K color by 6 bit R.G.B signal input
- RoHS / Halogen Free Compliance

### 1.3 Applications

- Mobile NB
- Digital Photo frame
- Display terminal for AV application

### 1.4 General information

Item	Specification	Unit	
Outline Dimension	235 x 145.8 x 5.5 (Typ.)	mm	
Display area	220.416(H) x 129.15(V)	mm	
Number of Pixel	1024 RGB (H) x 600(V)	pixels	
Pixel pitch	0.21525(H) x 0.21525(V)	mm	
Pixel arrangement	RGB Vertical stripe		
Display mode	Normally white		
Surface treatment	Glare, Hard-Coating (3H) with Normal film		
Weight	260 (Typ.)	g	
Back-light	Single LED (Side-Light type)		
Power Consumption	Logic System	1.1 (Max.)	W
	B/L System	3.1 (Max.)	W

### 1.5 Mechanical Information

Item	Min.	Typ.	Max.	Unit	
Module Size	Horizontal (H)	234.5	235	235.5	mm
	Vertical (V)	145.3	145.8	146.3	mm
	Depth (D)	—	5.5	5.8	mm
Weight	—	260	275	g	



Document Title	HSD100IFW1-F Formal specification	Page No.	5/23
Document No.		Revision	1.0

## 2.0 ABSOLUTE MAXIMUM RATINGS

### 2.1 Electrical Absolute Rating

#### 2.1.1 TFT LCD Module

Item	Symbol	Min.	Max.	Unit	Note
LED Power Supply voltage	$V_{LED}$	-0.3	6.0	V	GND=0
Logic Supply voltage	$V_{DD}$	-0.3	6.0	V	

### 2.2 Environment Absolute Rating

Item	Symbol	Min.	Max.	Unit	Note
Operating Temperature	$T_{opa}$	0	50	°C	
Storage Temperature	$T_{stg}$	-20	60	°C	

Document Title	HSD100IFW1-F Formal specification	Page No.	6/23
Document No.		Revision	1.0

### 3.0 OPTICAL CHARACTERISTICS

#### 3.1 Optical specification

Item	Symbol	Condition	Min.	Typ.	Max.	Unit	Note	
Contrast	CR	Normal viewing angle	400	500	—		(1)(2)	
Response time	Rising		$T_R$	—	5	7	msec	(1)(3)
	Falling		$T_F$	—	20	28		
White luminance (Center)	$Y_L$			200	250	—	cd/m <sup>2</sup>	(1)(4) ( $I_L=200mA$ )
Color chromaticity (CIE1931)	White		$W_x$	0.260	0.310	0.360		(1)(4)
		$W_y$	0.280	0.330	0.380			
Viewing angle	Hor.	$\theta_L$	CR>10	40	45	—	(1)(4)	
		$\theta_R$		40	45	—		
	Ver.	$\theta_U$		10	15	—		
		$\theta_D$		30	35	—		
Brightness uniformity	$B_{UNI}$	$\theta=0$	70	—	—	%	(5)	
Optima View Direction	6 O' clock						(6)	

#### 3.2 Measuring Condition

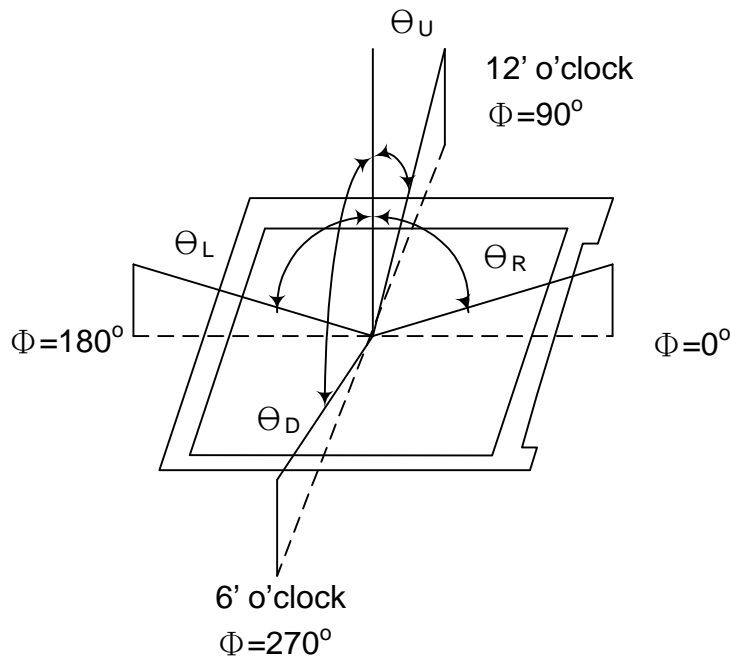
- Measuring surrounding : dark room
- LED current  $I_L$  : 200mA
- Ambient temperature : 25±2°C
- 15min. warm-up time.

Document Title	HSD100IFW1-F Formal specification	Page No.	7/23
Document No.		Revision	1.0

### 3.3 Measuring Equipment

- FPM520 of Westar Display technologies, INC., which utilized SR-3 for Chromaticity and BM-5A for other optical characteristics.
- Measuring spot size : 20 ~ 21 mm

**Note (1)** Definition of Viewing Angle:

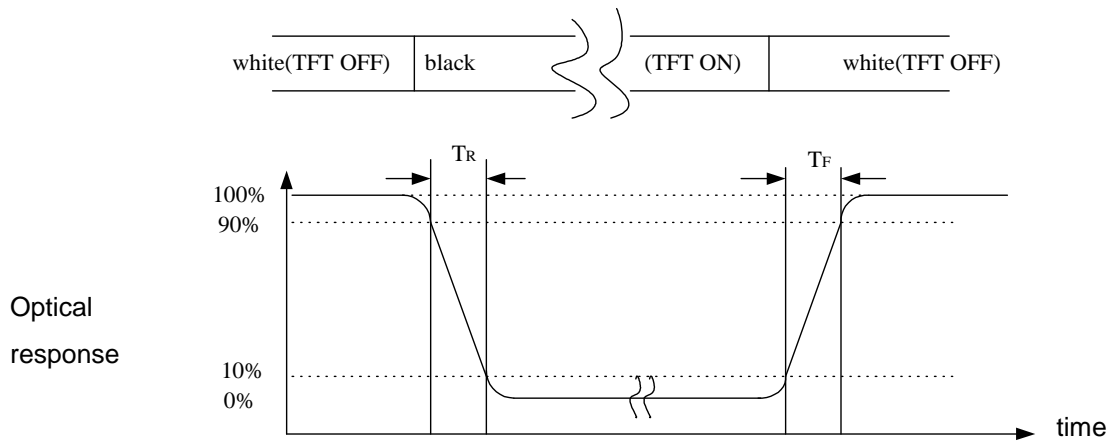


**Note (2)** Definition of Contrast Ratio (CR) :  
measured at the center point of panel

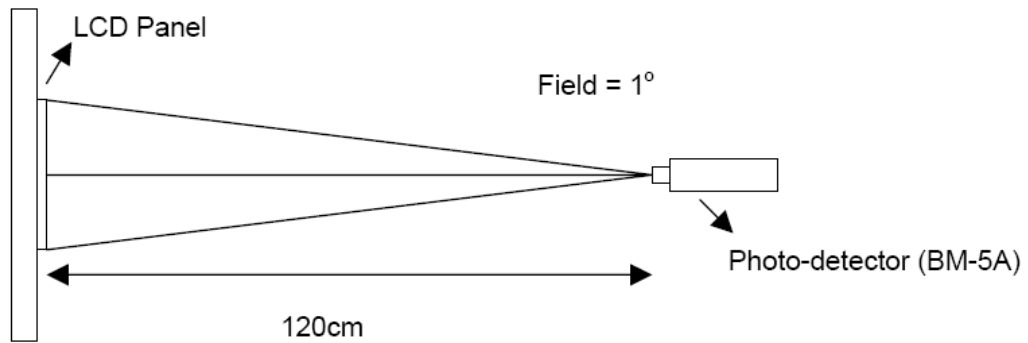
$$CR = \frac{\text{Luminance with all pixels white}}{\text{Luminance with all pixels black}}$$

Document Title	HSD100IFW1-F Formal specification	Page No.	8/23
Document No.		Revision	1.0

**Note (3)** Definition of Response Time : Sum of  $T_R$  and  $T_F$



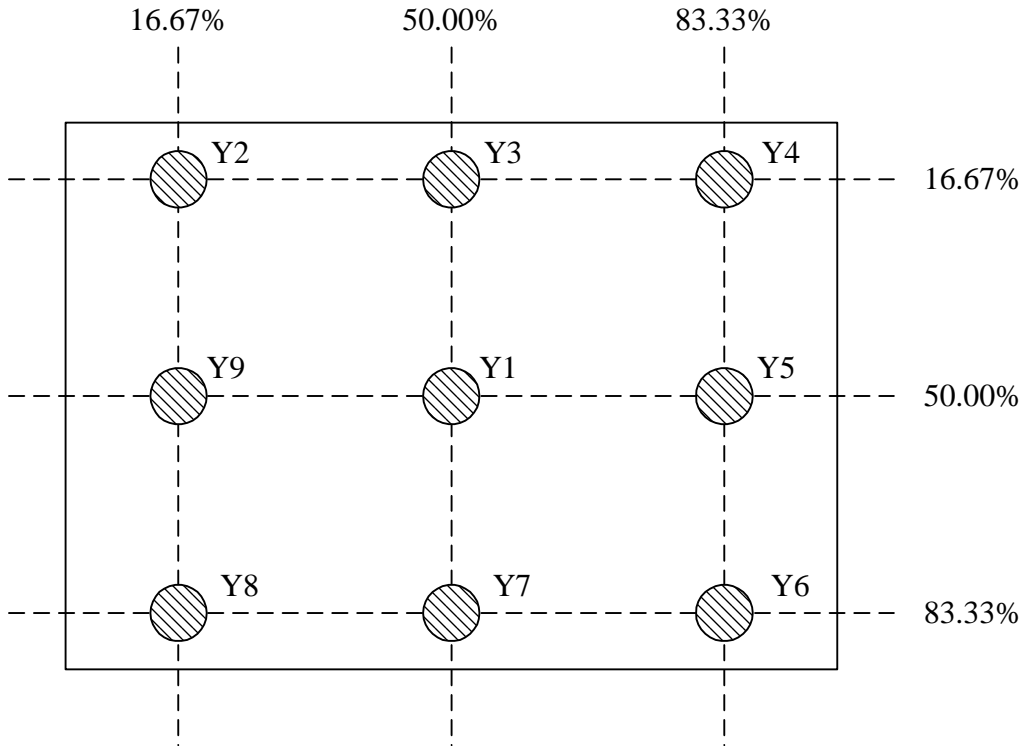
**Note (4)** Definition of optical measurement setup





Document Title	HSD100IFW1-F Formal specification	Page No.	9/23
Document No.		Revision	1.0

**Note (5)** Definition of brightness uniformity



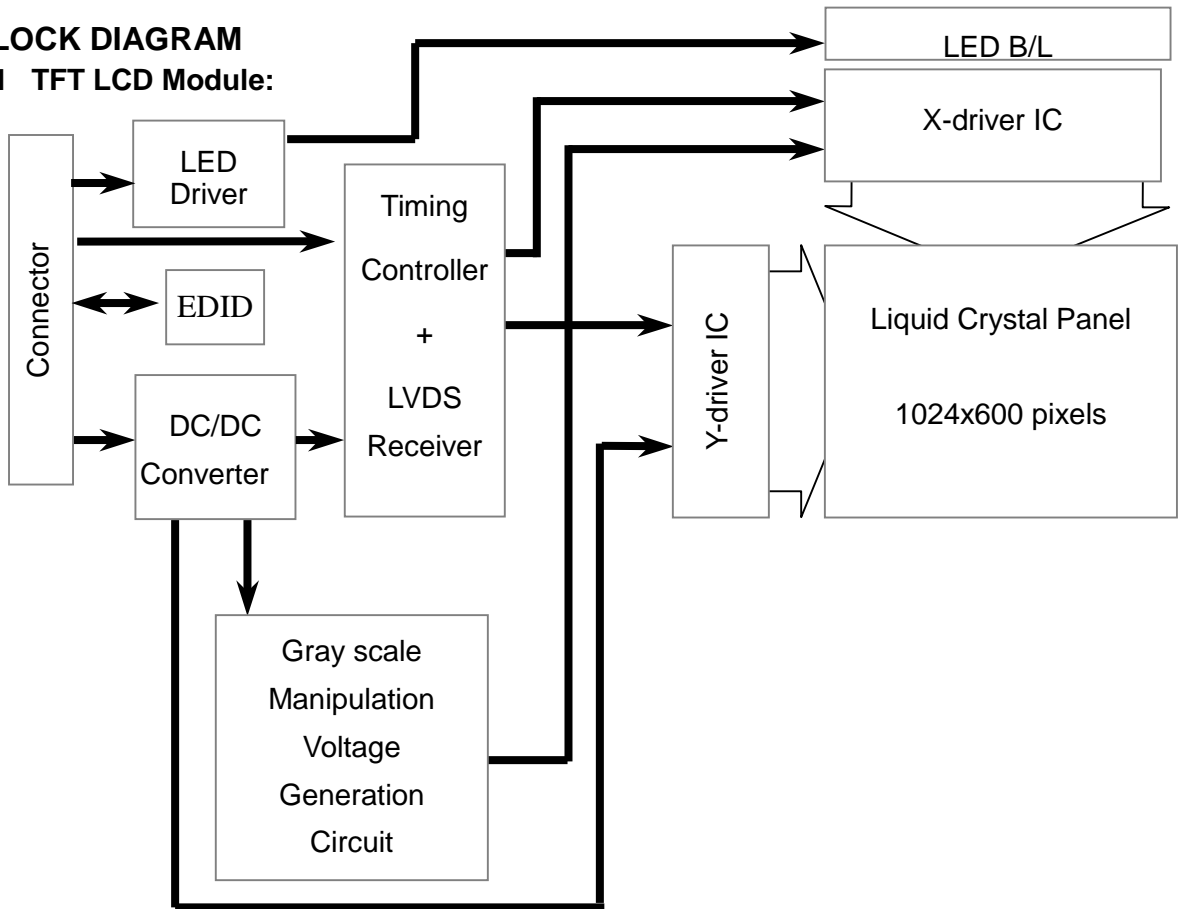
$$\text{Luminance uniformity} = \frac{(\text{Min Luminance of 9 points})}{(\text{Max Luminance of 9 points})} \times 100\%$$

**Note (6)** : Rubbing Direction (The different Rubbing Direction will cause the different optima view direction.)

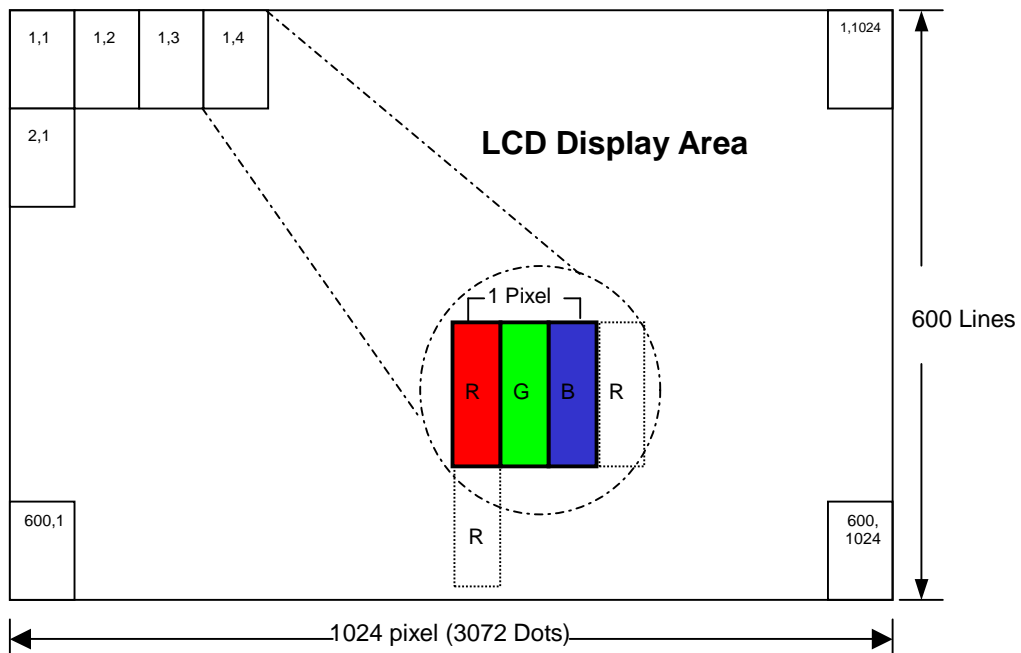
Document Title	HSD100IFW1-F Formal specification	Page No.	10/23
Document No.		Revision	1.0

#### 4.0 BLOCK DIAGRAM

##### 4.1 TFT LCD Module:



##### 4.2 Pixel Format



Document Title	HSD100IFW1-F Formal specification	Page No.	11/23
Document No.		Revision	1.0

### 4.3 Relationship Between Displayed Color and Input

Display	MSB						LSB						MSB						LSB						Gray scale level
	R5	R4	R3	R2	R1	R0	G5	G4	G3	G2	G1	G0	B5	B4	B3	B2	B1	B0							
Basic color	Black	L	L	L	L	L	L	L	L	L	L	L	L	L	L	L	L	L	L	-					
	Blue	L	L	L	L	L	L	L	L	L	L	L	L	H	H	H	H	H	H	-					
	Green	L	L	L	L	L	L	H	H	H	H	H	H	L	L	L	L	L	L	-					
	Light Blue	L	L	L	L	L	L	H	H	H	H	H	H	H	H	H	H	H	H	-					
	Red	H	H	H	H	H	H	L	L	L	L	L	L	L	L	L	L	L	L	-					
	Purple	H	H	H	H	H	H	L	L	L	L	L	L	H	H	H	H	H	H	-					
	Yellow	H	H	H	H	H	H	H	H	H	H	H	H	L	L	L	L	L	L	-					
	White	H	H	H	H	H	H	H	H	H	H	H	H	H	H	H	H	H	H	-					
Gray scale of Red	Black	L	L	L	L	L	L	L	L	L	L	L	L	L	L	L	L	L	L	L0					
	Dark ↑ ↓ Light	L	L	L	L	L	H	L	L	L	L	L	L	L	L	L	L	L	L	L1					
		L	L	L	L	H	L	L	L	L	L	L	L	L	L	L	L	L	L	L2					
		⋮	⋮	⋮	⋮	⋮	⋮	⋮	⋮	⋮	⋮	⋮	⋮	⋮	⋮	⋮	⋮	⋮	⋮	⋮	L3...L60				
		H	H	H	H	L	H	L	L	L	L	L	L	L	L	L	L	L	L	L61					
	H	H	H	H	H	L	L	L	L	L	L	L	L	L	L	L	L	L	L62						
	Red	H	H	H	H	H	H	L	L	L	L	L	L	L	L	L	L	L	L	Red L63					
	Gray scale of Green	Black	L	L	L	L	L	L	L	L	L	L	L	L	L	L	L	L	L	L	L0				
Dark ↑ ↓ Light		L	L	L	L	L	L	L	L	L	L	L	H	L	L	L	L	L	L	L1					
		L	L	L	L	L	L	L	L	L	L	L	H	L	L	L	L	L	L	L2					
		⋮	⋮	⋮	⋮	⋮	⋮	⋮	⋮	⋮	⋮	⋮	⋮	⋮	⋮	⋮	⋮	⋮	⋮	⋮	L3...L60				
		L	L	L	L	L	L	H	H	H	H	L	H	L	L	L	L	L	L	L61					
L		L	L	L	L	L	H	H	H	H	H	L	L	L	L	L	L	L	L62						
Green		L	L	L	L	L	L	H	H	H	H	H	H	L	L	L	L	L	L	Green L63					
Gray scale of Blue		Black	L	L	L	L	L	L	L	L	L	L	L	L	L	L	L	L	L	L	L0				
	Dark ↑ ↓ Light	L	L	L	L	L	L	L	L	L	L	L	L	L	L	L	L	L	H	L1					
		L	L	L	L	L	L	L	L	L	L	L	L	L	L	L	L	H	L	L2					
		⋮	⋮	⋮	⋮	⋮	⋮	⋮	⋮	⋮	⋮	⋮	⋮	⋮	⋮	⋮	⋮	⋮	⋮	⋮	L3...L60				
		L	L	L	L	L	L	L	L	L	L	L	L	H	H	H	H	L	H	L61					
	L	L	L	L	L	L	L	L	L	L	L	L	H	H	H	H	H	L	L62						
	Blue	L	L	L	L	L	L	L	L	L	L	L	L	H	H	H	H	H	H	Blue L63					
	Gray scale of White & Black	Black	L	L	L	L	L	L	L	L	L	L	L	L	L	L	L	L	L	L	L0				
Dark ↑ ↓ Light		L	L	L	L	L	H	L	L	L	L	L	H	L	L	L	L	L	H	L1					
		L	L	L	L	H	L	L	L	L	L	H	L	L	L	L	L	H	L	L2					
		⋮	⋮	⋮	⋮	⋮	⋮	⋮	⋮	⋮	⋮	⋮	⋮	⋮	⋮	⋮	⋮	⋮	⋮	⋮	L3...L60				
		H	H	H	H	L	H	H	H	H	H	L	H	H	H	H	H	L	H	L61					
H		H	H	H	H	L	H	H	H	H	H	L	H	H	H	H	H	L	L62						
White		H	H	H	H	H	H	H	H	H	H	H	H	H	H	H	H	H	H	White L63					

Document Title	HSD100IFW1-F Formal specification	Page No.	12/23
Document No.		Revision	1.0

## 5.0 INTERFACE PIN CONNECTION

### 5.1 TFT LCD Module :

CN1 (Input signal): FI-XB30SL-HF10 (JAE or equivalent)

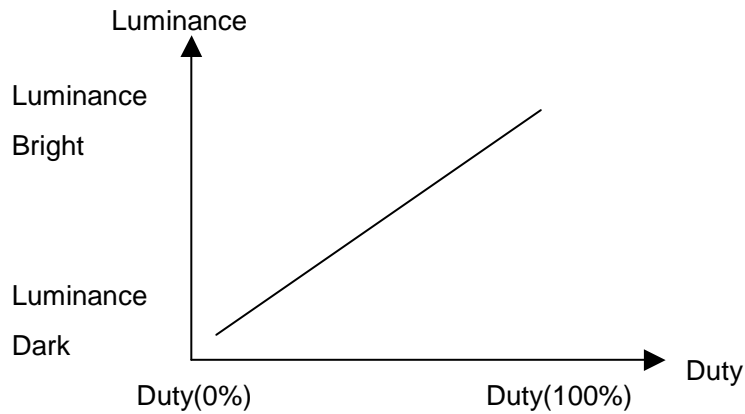
Pin No.	Signal	Description
1	GND	Ground
2	VDD	3.3V Power
3	VDD	3.3V Power
4	V_EDID	3.3V Power for EDID
5	ADJ	Adjust for LED brightness Note
6	CLK_EDID	EDID Clock Input
7	DATA_EDID	EDID Data Input
8	RXIN0-	LVDS Signal - channel0-
9	RXIN0+	LVDS Signal+ channel0+
10	GND	Ground
11	RXIN1-	Data Input channel1-
12	RXIN1+	Data Input channel1+
13	GND	Ground
14	RXIN2-	Data Input channel2-
15	RXIN2+	Data Input channel2+
16	GND	Ground
17	RXCLKIN-	Data Input CLK-
18	RXCLKIN+	Data Input CLK+
19	GND	Ground
20	NC	NC
21	NC	NC
22	GND	Ground
23	GND	Ground
24	VLED	LED Power +5V
25	VLED	LED Power +5V
26	VLED	LED Power +5V
27	NC	NC
28	VDD_EN	VDD enable pin
29	NC	NC
30	VLED_EN	VLED enable pin

**Note :** The brightness of LCD panel could be changed by adjusting ADJ

Document Title	HSD100IFW1-F Formal specification	Page No.	13/23
Document No.		Revision	1.0

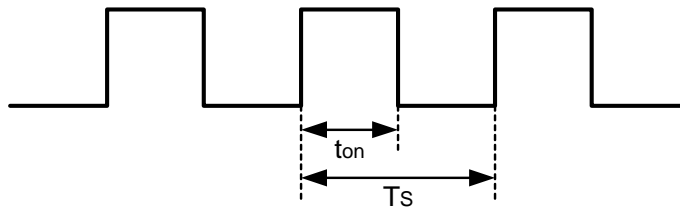
**Note**

(1) ADJ can adjust brightness to control Pin. Pulse duty the bigger the brighter.



(2) ADJ Signal=0~3.3V · Operation Frequency :

Parameter	Symbol	Conditions	Min	Typ	Max	Unit
ADJ Logic-High Level	V <sub>ADJH</sub>		1.8	3.3	3.6	V
ADJ Logic-Low Level	V <sub>ADJL</sub>		0	0	0.4	V
Dimming Frequency	F <sub>ADJ</sub>		18	20	22	kHz
Dimming Duty Cycle	D		20	--	100	%



$$D = t_{on} / T_S \times 100\%$$

$$F_{ADJ} = 1 / T_S$$

(3) VLED\_EN & VDD\_EN · Operation Conditions :

Parameter	Symbol	Min	Typ	Max	Units	Remark
VDD on/off signal	VDD_EN (H)	3.0	3.3	3.6	Volt	VDD on
	VDD_EN (L)	--	0	0.2		VDD off
VLED on/off signal	VLED_EN (H)	3.0	3.3	3.6	Volt	VLED on
	VLED_EN (L)	--	0	0.2		VLED off

Document Title	HSD100IFW1-F Formal specification	Page No.	14/23
Document No.		Revision	1.0

## 6.0 ELECTRICAL CHARACTERISTICS

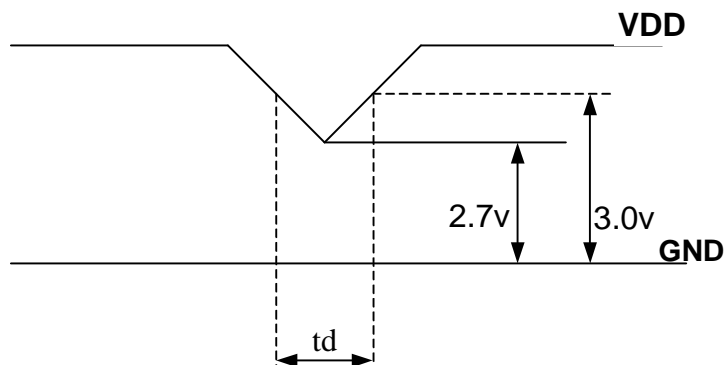
### 6.1 TFT LCD Module

Item	Symbol	Min.	Typ.	Max.	Unit	Note
Supply Voltage	V <sub>DD</sub>	3.0	3.3	3.6	V	
	V <sub>LED</sub>	4.7	5.0	5.3	V	
Current of power supply	I <sub>DD</sub>	-	0.3	-	A	V <sub>DD</sub> = 3.3V · L0 pattern

**Note** : (1) V<sub>DD</sub>-dip condition :

When V<sub>DD</sub> operating within  $2.7V \leq V_{DD} < 3.0V$  ,  $t_d \leq 10ms$  , the display may momentarily become abnormal .

V<sub>DD</sub> < 2.7V, V<sub>DD</sub> dip condition should also follow the Power On/Off conditions for supply voltage.

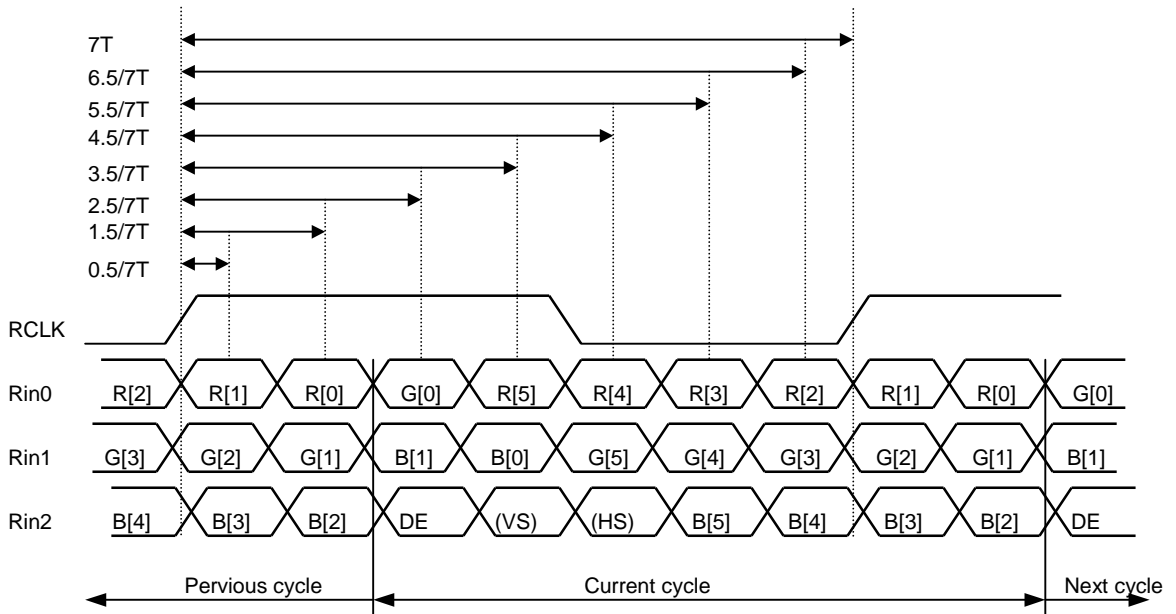


Document Title	HSD100IFW1-F Formal specification	Page No.	15/23
Document No.		Revision	1.0

### 6.2 Switching Characteristics for LVDS Receiver

Item	Symbol	Min.	Typ.	Max.	Unit	Conditions
Differential Input High Threshold	V <sub>th</sub>	—	—	100	mV	V <sub>CM</sub> =1.2V
Differential Input Low Threshold	V <sub>tl</sub>	-100	—	—	mV	
Input Current	I <sub>IN</sub>	-10	—	+10	uA	
Differential input Voltage	V <sub>ID</sub>	0.1	—	0.6	V	
Common Mode Voltage Offset	V <sub>CM</sub>	( V <sub>ID</sub>  /2)	1.25	1.8-0.4-( V <sub>ID</sub>  /2)	V	

### 6.3 Bit Mapping & Interface Definition



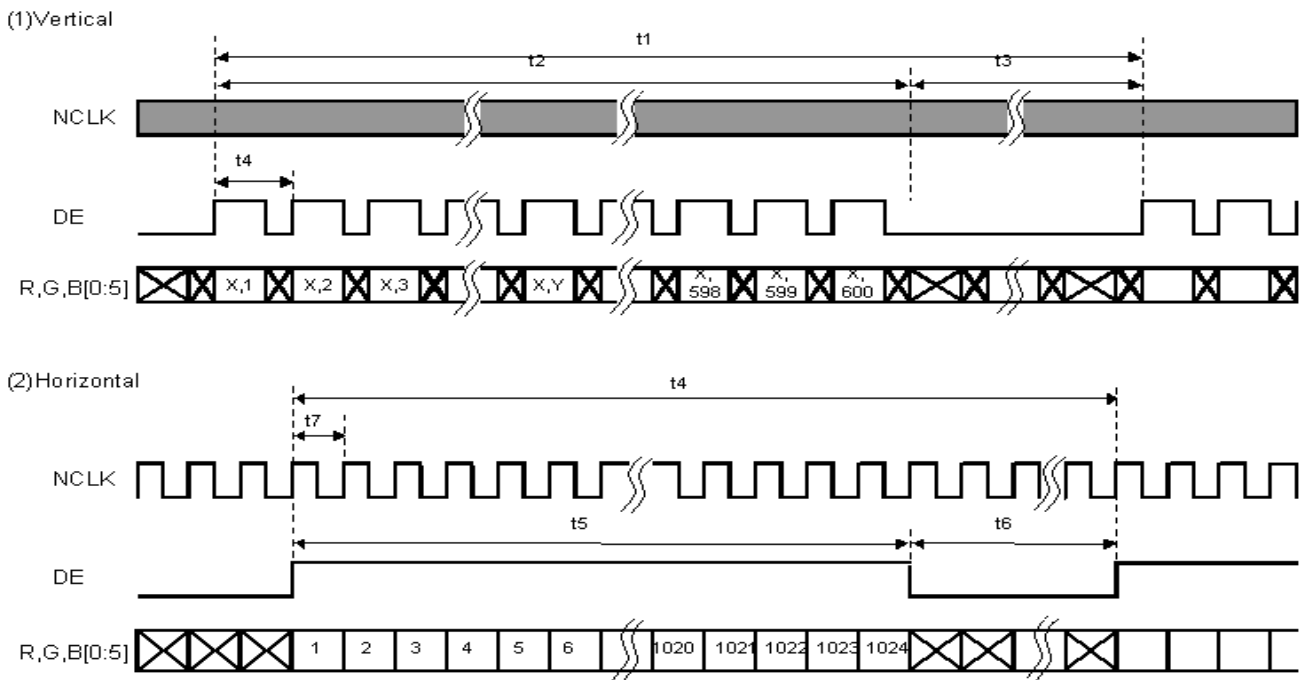
LVDS Receiver Input Timing Definition  
for 6bits LVDS input

Document Title	HSD100IFW1-F Formal specification	Page No.	16/23
Document No.		Revision	1.0

### 6.4 Interface Timing (DE mode)

Item	Symbol	Min.	Typ.	Max.	Unit
Frame Rate	--	55	60	65	Hz
Frame Period	t1	612	625	638	line
Vertical Display Time	t2	600	600	600	line
Vertical Blanking Time	t3	12	25	38	line
1 Line Scanning Time	t4	1160	1200	1240	clock
Horizontal Display Time	t5	1024	1024	1024	clock
Horizontal Blanking Time	t6	136	176	216	clock
Clock Rate	t7	39	45	51.42	MHz

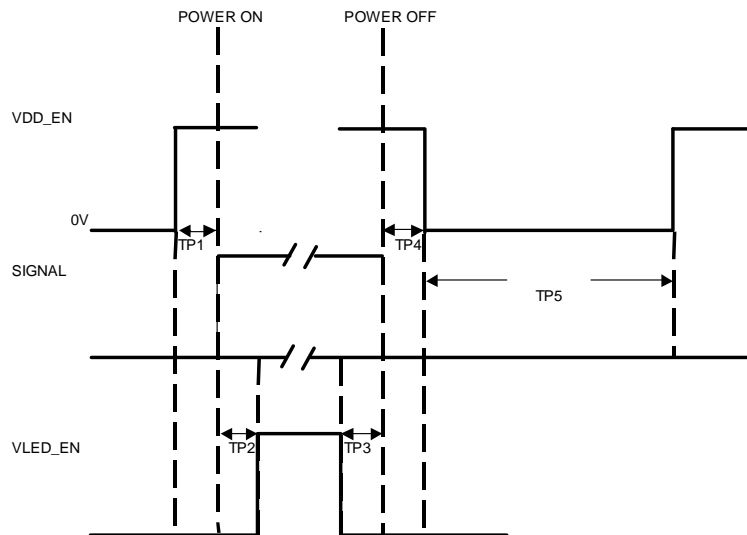
### Timing Diagram of Interface Signal (DE mode)





Document Title	HSD100IFW1-F Formal specification	Page No.	17/23
Document No.		Revision	1.0

### 6.5 Power On / Off Sequence



Item	Min.	Typ.	Max.	Unit	Remark
TP1	0.5	--	100	msec	
TP2	200	--		msec	
TP3	200	--		msec	
TP4	0.5	--	100	msec	
TP5	500	--	--	msec	

- Note :**
- (1) The supply voltage of the external system for the module input should be the same as the definition of  $V_{DD}$ .
  - (2) Apply the lamp voltage within the LCD operation range. When the back-light turns on before the LCD operation or the LCD turns off before the back-light turns off, the display may momentarily become white.
  - (3) In case of  $V_{DD}$  = off level, please keep the level of input signal on the low or keep a high impedance.
  - (4) TP4 should be measured after the module has been fully discharged between power off and on period.
  - (5) Interface signal shall not be kept at high impedance when the power is on.

Document Title	HSD100IFW1-F Formal specification	Page No.	18/23
Document No.		Revision	1.0

### 7.0 Reliability test items

No.	Item	Conditions	Remark
1	High Temperature Storage	Ta=+60°C, 240hrs	
2	Low Temperature Storage	Ta=-20°C, 240hrs	
3	High Temperature Operation	Ta=+50°C, 500hrs	
4	Low Temperature Operation	Ta=0°C, 500hrs	
5	High Temperature and High Humidity (operation)	Ta=+50°C, 80%RH, 500hrs	
6	Thermal Cycling Test (non operation)	-20°C(30min) → +60°C(30min), 100 cycles	
7	Electrostatic Discharge	±200V,200pF(0Ω) 1 time/connector	
8	Vibration	1.Random: 1.04G, 10~500Hz, XYZ, 30min/each direction 2.Sine: 1.5G, 5~500Hz, XYZ 30min/each direction	
9	Shock	Half-Sine, 220G, 2ms, ±XYZ, 1time	
10	Vibration (with carton)	Random: 1.04G, 10~500Hz, XYZ, 45min/each direction	
11	Drop (with carton)	Height : 60 cm 1 corner, 3 edges, 6 surfaces	JIS Z0202

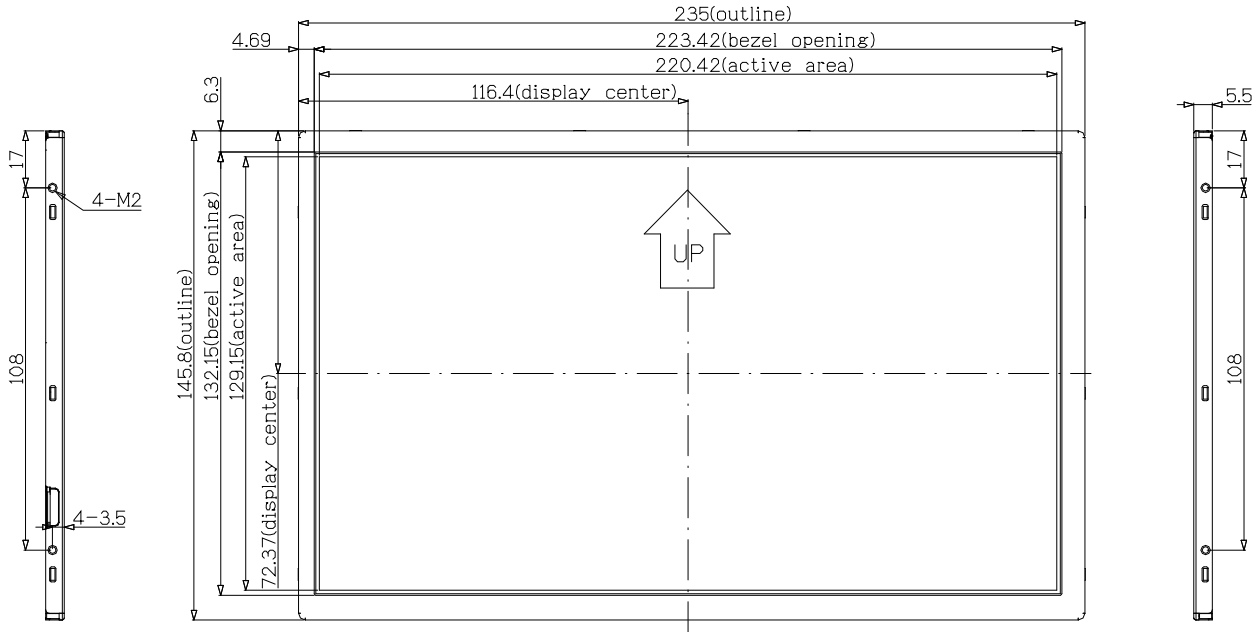
**Note:** There is no display function NG issue occurred, all the cosmetic specification is judged before the reliability stress.

Document Title	HSD100IFW1-F Formal specification	Page No.	19/23
Document No.		Revision	1.0

## 8.0 OUTLINE DIMENSION

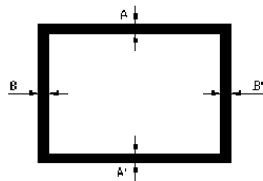
### 8.1 Outline Dimension

Unit : mm



NOTE:

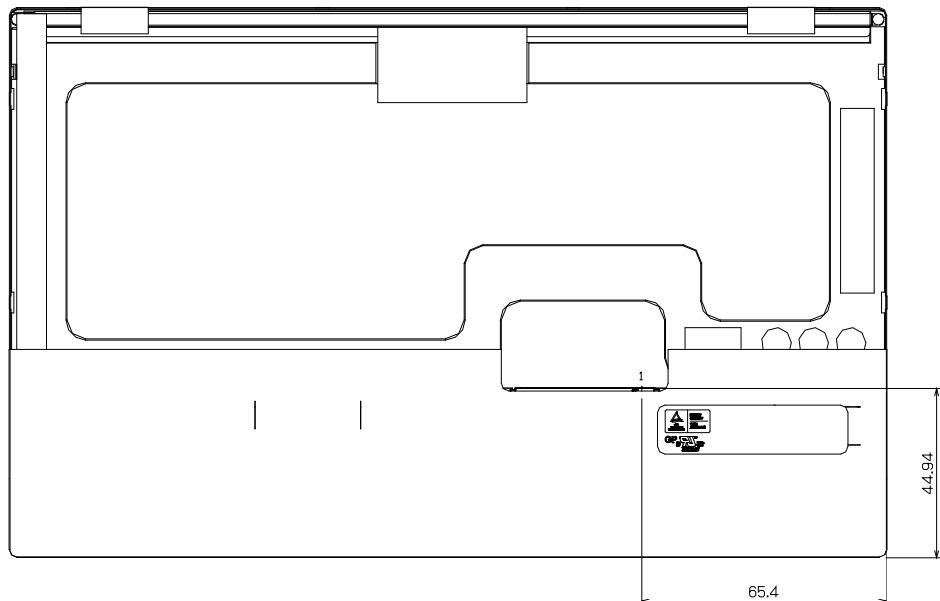
1. GENERAL TOLERANCE :  $\pm 0.3\text{mm}$ .
2. ALLOWED DEPTH OF USERHOLE SCREW INSERTION IS 1.5mm Max.
3. USERHOLE SCREW OF TORQUE = 2.0kgf/cm Max.



BM Assembly Tolerance

$$|A-A'| \leq 1.0 \text{ (mm)}$$

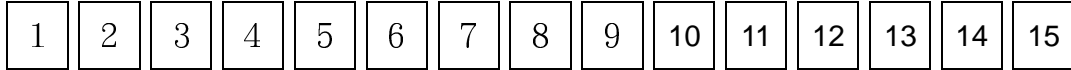
$$|B-B'| \leq 1.0 \text{ (mm)}$$



Document Title	HSD100IFW1-F Formal specification	Page No.	20/23
Document No.		Revision	1.0

## 9.0 LOT MARK

### 9.1 Lot Mark



Code 1,2,3,4,5,6: HannStar internal flow control code.

Code 7: production location.

Code 8: production year.

Code 9: production month.

Code 10,11,12,13,14,15: serial number.

Note (1) Production Year: Code 8 is defined by the last number of the year, for example

Year	2001	2002	2003	2004	2005	2006	2007	2008	2009	2010
Mark	1	2	3	4	5	6	7	8	9	0

Note (2) Production Month

Month	Jan.	Feb.	Mar.	Apr.	May.	Jun.	Jul.	Aug.	Sep.	Oct	Nov.	Dec.
Mark	1	2	3	4	5	6	7	8	9	A	B	C

### 9.2 Detail of Lot Mark

- (1) Below label is attached on the backside of the LCD module. See Section 8.0: Outline Dimension.
- (2) The detail of Lot Mark is attached as below.
- (3) This is subject to change without prior notice.



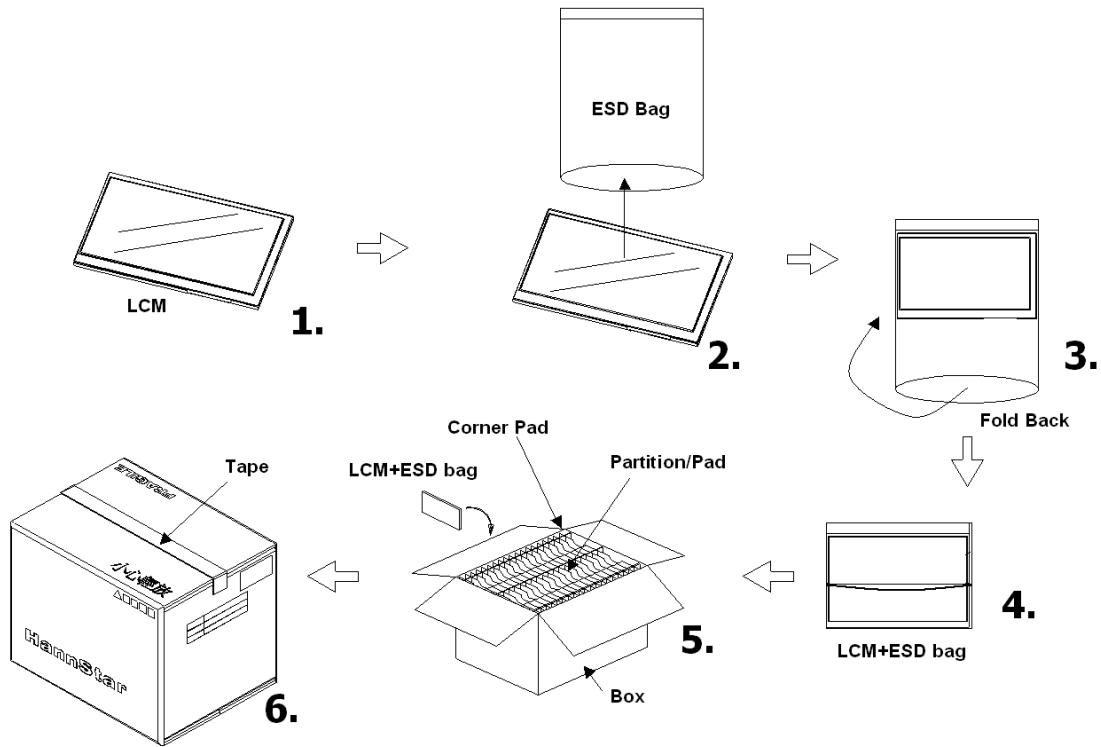
Document Title	HSD100IFW1-F Formal specification	Page No.	21/23
Document No.		Revision	1.0

## 10.0 PACKAGE SPECIFICATION

### 10.1 Packing form

LCM Model	LCM Qty. in the box	Inner Box Size (mm)	Notice
HSD100IFW1-F	50 pcs/box	Ref.460 x 316 x 321 <sup>H</sup>	

### 10.2 Packing assembly drawings



HSD100IFW1-F	Material	Notice
Box	Corrugated Paper Board	(AB Flute)
Partition/Pad	Corrugated Paper Board	(B Flute)
Corner Pad	Corrugated Paper Board	(AB Flute)
ESD bag	PE	

Document Title	HSD100IFW1-F Formal specification	Page No.	22/23
Document No.		Revision	1.0

## 11.0 GENERAL PRECAUTION

### 11.1 Use Restriction

This product is not authorized for use in life supporting systems, aircraft navigation control systems, military systems and any other application where performance failure could be life-threatening or otherwise catastrophic.

### 11.2 Disassembling or Modification

Do not disassemble or modify the module. It may damage sensitive parts inside LCD module, and may cause scratches or dust on the display. HannStar does not warrant the module, if customers disassemble or modify the module.

### 11.3 Breakage of LCD Panel

11.3.1. If LCD panel is broken and liquid crystal spills out, do not ingest or inhale liquid crystal, and do not contact liquid crystal with skin.

11.3.2. If liquid crystal contacts mouth or eyes, rinse out with water immediately.

11.3.3. If liquid crystal contacts skin or cloths, wash it off immediately with alcohol and rinse thoroughly with water.

11.3.4. Handle carefully with chips of glass that may cause injury, when the glass is broken.

### 11.4 Electric Shock

11.4.1. Disconnect power supply before handling LCD module.

11.4.2. Do not pull or fold the LED cable.

11.4.3. Do not touch the parts inside LCD modules and the fluorescent LED's connector or cables in order to prevent electric shock.

### 11.5 Absolute Maximum Ratings and Power Protection Circuit

11.5.1. Do not exceed the absolute maximum rating values, such as the supply voltage variation, input voltage variation, variation in parts' parameters, environmental temperature, etc., otherwise LCD module may be damaged.

11.5.2. Please do not leave LCD module in the environment of high humidity and high temperature for a long time.

11.5.3. It's recommended to employ protection circuit for power supply.

### 11.6 Operation

11.6.1 Do not touch, push or rub the polarizer with anything harder than HB pencil lead.

11.6.2 Use fingerstalls of soft gloves in order to keep clean display quality, when persons handle the LCD module for incoming inspection or assembly.

11.6.3 When the surface is dusty, please wipe gently with absorbent cotton or other soft material.

Document Title	HSD100IFW1-F Formal specification	Page No.	23/23
Document No.		Revision	1.0

11.6.4 Wipe off saliva or water drops as soon as possible. If saliva or water drops contact with polarizer for a long time, they may causes deformation or color fading.

11.6.5 When cleaning the adhesives, please use absorbent cotton wetted with a little petroleum benzine or other adequate solvent.

### **11.7 Mechanism**

Please mount LCD module by using mounting holes arranged in four corners tightly.

### **11.8 Static Electricity**

11.8.1 Protection film must remove very slowly from the surface of LCD module to prevent from electrostatic occurrence.

11.8.2 Because LCD module use CMOS-IC on circuit board and TFT-LCD panel, it is very weak to electrostatic discharge. Please be careful with electrostatic discharge. Persons who handle the module should be grounded through adequate methods.

### **11.9 Strong Light Exposure**

The module shall not be exposed under strong light such as direct sunlight. Otherwise, display characteristics may be changed.

### **11.10 Disposal**

When disposing LCD module, obey the local environmental regulations.