

To : _____

Specification of FDTC TFT-LCD module

FLC48SXC8V-05

Approval
Date : By :

This Product is designed, developed and manufactured as contemplated for general use, including without limitation, general office use, personal use, household use, and ordinary industrial use, but is not designed, developed and manufactured as contemplated for use accompanying fatal risks or dangers that, unless extremely high safety is secured, could lead directly to death, personal injury, severe physical damage or other loss (hereinafter "High Safety Required Use"), including without limitation, nuclear reaction control in nuclear facility, aircraft flight control, air traffic control, mass transport control, medical life support system, missile launch control in weapon system. Fujitsu shall not be liable against the Customer and/or any third party for any claims or damages arising in connection with the High Safety Required Use of the Product without permission.

Specification No. : Tech Bes LCD-00161

Issue Date : September 13, 2002

Issued by : _____

F. Yamada
Director
Products Engineering Dept. LCD product Div.

TENTATIVE

REVISION HISTORY

A

A

Revision	Date	Prepared	Checked		Approved	Summary
01A	Sep. 13.2002	T.Ito	T. Kobayashi			1st issue

B

B

C

C

D

D

E

DATE DOCUMENT CONTROL SECTION

					TITLE		FLC48SXC8V-05	
					DRAW. NO.		Tech Bes LCD-00161	
					CUST.			
EDIT	DATE	DESIG.	CHECK	APPR.	DESCRIPTION		FUJITSU DISPLAY TECHNOLOGIES CORPORATION	
							1 / 36	
DESIG.	20020510	T.Ito	CHECK	TKobayashi	APPR.			

F

TENTATIVE

TABLE OF CONTENTS

	1 . APPLICATIONS				3
A	2 . PRODUCT NAME AND MODEL NUMBER				3
	2-1.Product Name				3
	2-2.Model Number				3
	3 . OVERVIEW				3
	4 . CONFIGURATION				3
	5 . MECHANICAL SPECIFICATIONS				4
B	6 . ABSOLUTE MAXIMUM RATING				5
	7 . RECOMMENDED OPERATING CONDITIONS				5
	8 . ELECTRICAL SPECIFICATIONS				6
	9 . OPTICAL SPECIFICATIONS				8
C	10 . INTERFACE SPECIFICATIONS				12
	10-1.Signal Descriptions				12
	10-2.LVDS Data Assignment				13
	10-3. Color Data Assignment				14
	10-4. Input Signal Timing				15
	10-5. Correspondence between Data and Display Position				17
	10-6.Power Supply Sequence				17
D	11 . BACK-LIGHT SPECIFICATIONS				18
	11-1.Pin configuration for Back-light				18
	11-2.CCFL				18
	11-3.Life				18
D	12 . APPEARANCE SPECIFICATIONS				19
	12-1.Appearance				19
	12-2.Dot defects				20
	13 . ENVIRONMENTAL SPECIFICATIONS				21
	14 . INDICATIONS				22
E	15 . PACKAGING				22
	15-1.Packing Specifications				22
	15-2.Packing Method				22
	16 . WARRANTY				27
	17 . REPAIR				27
	18 . DESIGN CHANGE				27
	19 . CUSTOMER SUPPORT				27
	20 . PRECAUTIONS				28
	21 . PRECAUTIONS FOR USE				33
	22 . MISCELLANEOUS				33

DOCUMENT CONTROL SECTION

DATE

						TITLE			FLC48SXC8V-05		
						DRAW. NO.			Tech Bes LCD-00161		
									CUST.		
EDIT	DATE	DESIG.	CHECK	APPR.		DESCRIPTION			FUJITSU DISPLAY TECHNOLOGIES CORPORATION		
											2/

TENTATIVE

1. APPLICATION

This specification is applied to the 19-inch SXGA supported TFT-LCD module.

A

A

2. PRODUCT NAME AND MODEL NUMBER

2-1 Product Name : LCD Module

2-2 Model Name : FLC48SXC8V-05

2-3 Drawing Number : NA19020-C971

B

B

3. OVERVIEW

This LCD module has a TFT active matrix type liquid crystal panel 1280x1024 pixels, and diagonal size of 48cm(19-inch). This LCD has a LVDS dual interface and can display 16,777,216 colors.

The power supply of this LCD module is +5V DC voltage.

This module has the characteristics for applying TCO'99.

C

C

4. CONFIGURATION

This LCD module consists of a color TFT-LCD panel that is mounted with TFT driver ICs and a cold-cathode fluorescent tube back-light.

The inverter for the back-light is not included.

Figure 4-1 shows a block diagram of this LCD module.

D

D

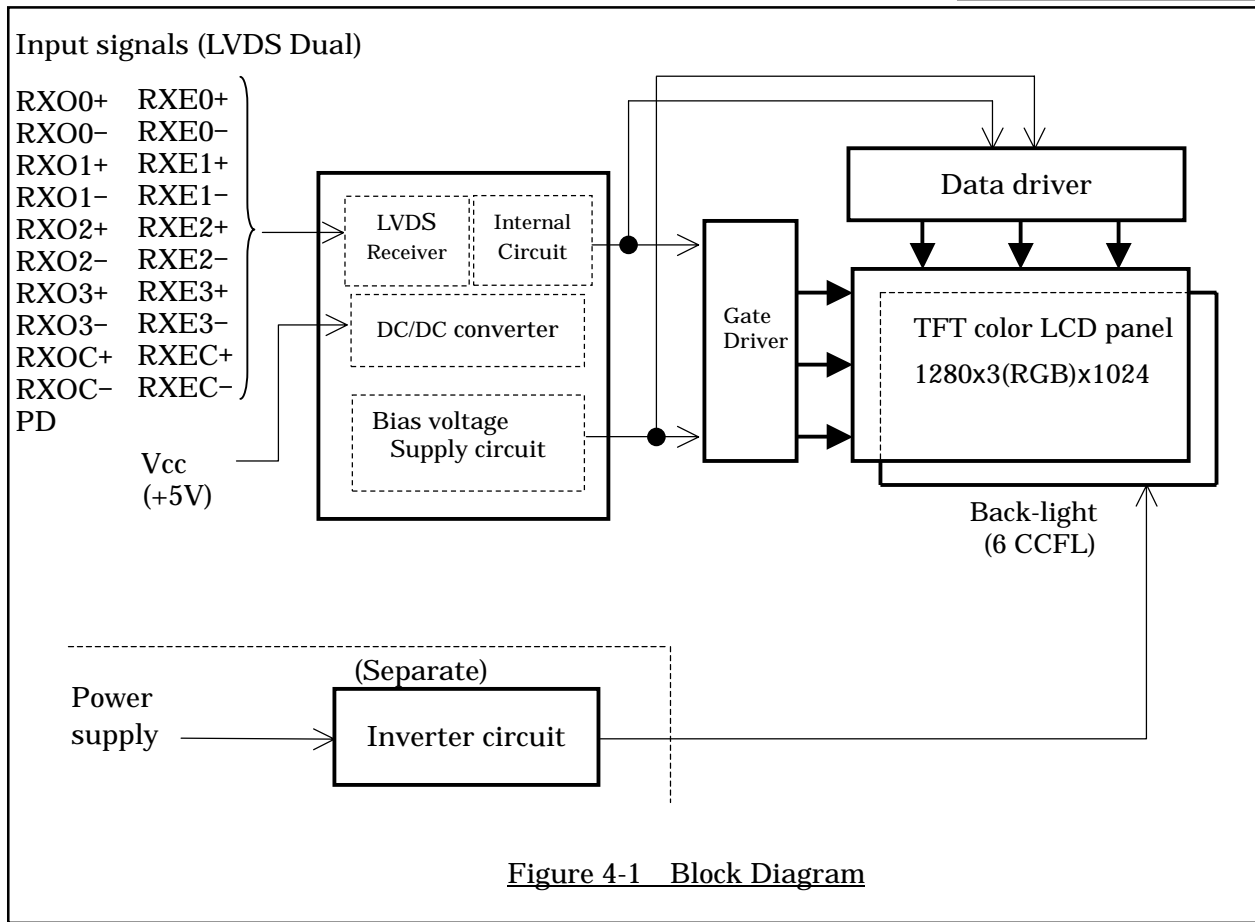
DATE DOCUMENT CONTROL SECTION

E

F

						TITLE		FLC48SXC8V-05	
						DRAW. NO.		Tech Bes LCD-00161	
								CUST.	
EDIT	DATE	DESIG.	CHECK	APPR.	DESCRIPTION		FUJITSU DISPLAY TECHNOLOGIES CORPORATION		3/

TENTATIVE



5. MECHANICAL SPECIFICATIONS

Table 5-1 shows the mechanical specifications of this LCD module.

Table 5-1 Mechanical Specifications

Item	Specifications	Unit	Remark
Dimensions	414x335x23(TYP.)	mm	Edge type back-light is used. (φ 2.6 CCFLx6) Without inverter. For details on dimensions, see dimensional outline drawing. (at page 34,35,36:Figure 19-1,2,3) Excluding inverter.
Display Resolution	(1280x3)x1024	—	
Display Dot Area	376.32x301.056	mm	
Dot Pitch	(0.098x3)x0.294	mm	
Pixel Aspect Ratio	1:1	—	
Weight	3,000 MAX	g	
FG-SG	Short circuit	—	

DOCUMENT CONTROL SECTION

DATE

						TITLE		FLC48SXC8V-05	
						DRAW. NO.		Tech Bes LCD-00161	
								CUST.	
EDIT	DATE	DESIG.	CHECK	APPR.	DESCRIPTION		FUJITSU DISPLAY TECHNOLOGIES CORPORATION		4 /

TENTATIVE

6. ABSOLUTE MAXIMUM RATING

Table 6-1 shows the absolute maximum rating of this LCD module.

Table 6-1 Absolute Maximum Rating

Item	Symbol	Condition	MIN.	TYP.	MAX.	Unit
Supply Voltage	V _{CC}	Ta=25°C	-0.3	—	6.0	V
Input Signal Voltage (LVDS signal, PD)	V _{IN}	Ta=25°C	-0.3	—	3.6	V

7. RECOMMENDED OPERATING CONDITIONS

Table 7-1 shows the recommended operating conditions of this LCD module.

Table 7-1 Recommended Operating Conditions

Item	Symbol	MIN.	TYP.	MAX.	Unit
Supply Voltage(Logic)	V _{CC}	4.75	—	5.25	V
Ripple Voltage	V _{CC}	V _{RP}	—	0.1	V

DATE DOCUMENT CONTROL SECTION

						TITLE		FLC48SXC8V-05	
						DRAW. NO.			CUST.
						Tech Bes LCD-00161			
EDIT	DATE	DESIG.	CHECK	APPR.	DESCRIPTION		FUJITSU DISPLAY TECHNOLOGIES CORPORATION		5/
DESIG.			CHECK		APPR.				

8. ELECTRICAL SPECIFICATIONS

Table 8-1 shows the electrical specifications of this LCD module. Figure 8-1 shows the measurement circuit. Figure 8-2(A) shows the equivalent circuit of the logic signal input area. Figure 8-2(B) shows the equivalent circuit of the supply voltage Input area.

Table 8-1 Electrical Specifications

Item	Symbol	Condition	MIN.	TYP.	MAX.	Unit	Remark
Differential-input Voltage (Hign)	V _{IH}	V _{CM} =+1.2V	—	—	100	mV	
Differential-input Voltage (Low)	V _{IL}		-100	—	—	mV	
Input PD Voltage (High)	V _{IHPD}	V _{CC} =+5.0±0.25V V _{SS} =0V DCLK=54MHz Ta=25° C	2.0	—	3.3	V	
Input PD Voltage (Low)	V _{ILPD}		0	—	0.8	V	
Supply Current	I _{CC}		—	800	1,500	mA	*1
Supply Rush Current	I _{SCC}		—	—	3.5	A	*2
Supply Rush Current Duration(1.5A excess)	T _{SCC}	—	—	1	ms		
CCFL Turn on Voltage	V _S	f _L =50kHz, Ta=25°C	—	1,400	1,600	V _{rms}	
		f _L =50kHz, Ta=0°C	—	—	1,600		
Lighting Voltage	V _L	f _L =50kHz I _L =7mA	—	750	—	V _{rms}	
Lighting Frequency	f _L	V _L =750V _{rms}	40	50	60	kHz	
Tube Current	I _L	f _L =50kHz V _L =750V _{rms}	4	—	7	mArms	*4

(*1) Typical current situation : Color bar pattern. V_{CC}=5.0V
 Maximum current situation : White pattern. V_{CC}=4.75V
 Without rush current.

(*2) These items prescribe the rush current for starting internal DC/DC.
 Charging current to capacitors of V_{CC} is not prescribed.

(*3) Back-light specifications are valid when using a suitable inverter such as the T.B.D.

(*4) Tube current (I_L) shows the value of the current that is consumed at one lamp.
 This LCD module has 6 lamps. Each 3 lamps are placed at upper side and lower side of the display.
 3 lamps is connected independently. Each low voltage terminals are connected with separate cable to Back-light connector.

DOCUMENT CONTROL SECTION

DATE

						TITLE		FLC48SXC8V-05	
						DRAW. NO.			CUST.
						Tech Bes LCD-00161			
EDIT	DATE	DESIG.	CHECK	APPR.	DESCRIPTION		FUJITSU DISPLAY TECHNOLOGIES CORPORATION		6/

TENTATIVE

Measurement circuit is based on Figure 8-1.

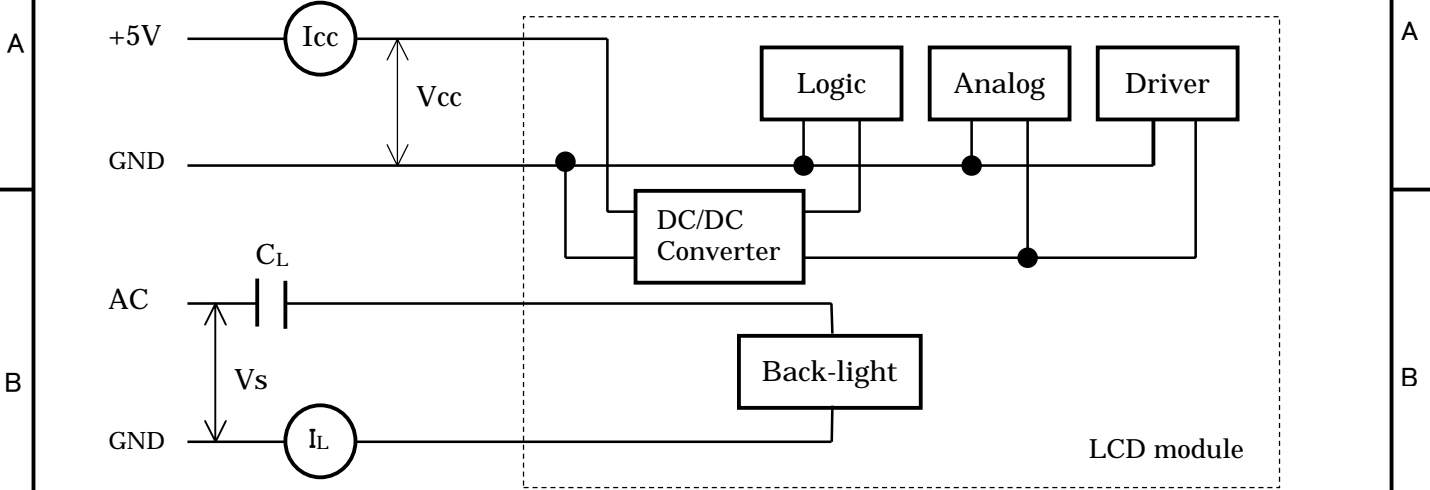
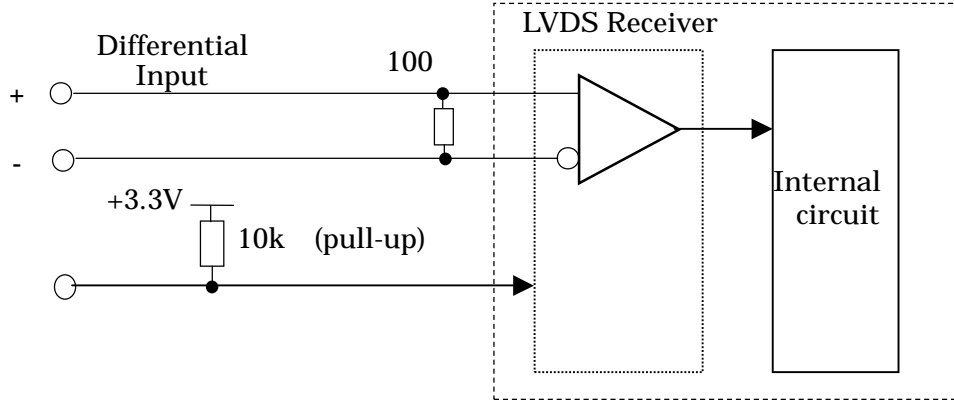


Figure 8-1 Measurement circuit

Input signals (LVDS Dual)

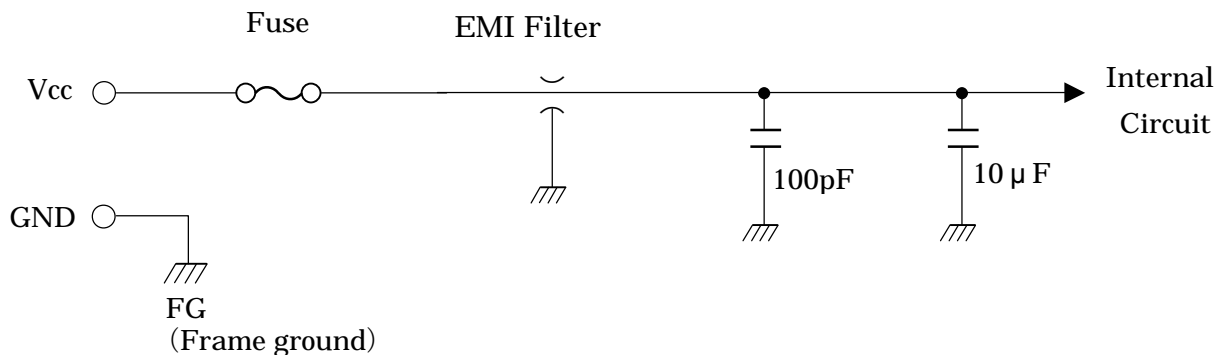
- RX00+ RXE0+
- RX00- RXE0-
- RX01+ RXE1+
- RX01- RXE1-
- RX02+ RXE2+
- RX02- RXE2-
- RX03+ RXE3+
- RX03- RXE3-
- RXOC+ RXEC+
- RXOC- RXEC-

PD



LVDS Receiver : DS90CF386 (National Semiconductor Corp. or equivalent)

Figure 8-2(A) Equivalent circuit of logic signal Input



Fuse : F0603C3R00FWTRM 3.0A (Kyocera Corp. or equivalent)

EMI Filter : SGM20C1E332 (Sumitomo Metal Inc. or equivalent)

Figure 8-2(B) Equivalent circuit of power supply

DOCUMENT CONTROL SECTION

DATE

EDIT	DATE	DESIG.	CHECK	APPR.	DESCRIPTION
DESIG.			CHECK		APPR.

TITLE	
FLC48SXC8V-05	
DRAW. NO.	CUST.
Tech Bes LCD-00161	
FUJITSU DISPLAY TECHNOLOGIES CORPORATION	7/

TENTATIVE

9. OPTICAL SPECIFICATIONS

Table 9-1 shows the optical specifications of this LCD module.

Table 9-1 Optical Specifications Ta=25°C, Signal Timing=Typ.

Item	Symbol	Condition	Specifications			Unit	Remark			
			MIN.	TYP.	MAX.					
Visual Angle	Horizontal	$\theta_{L,R}$	CR□10	$\theta_{U,D}=0^\circ$	85	—	—	deg	(1)(2) (3)(5) (6)	
	Vertical	$\theta_{U,D}$		$\theta_{L,R}=0^\circ$	85	—	—	deg		
	All Direction	θ		—	80	—	—	deg		
Contrast Ratio	CR	$\theta_{L,R,U,D}=0^\circ$			400	600	—	—	White/Black	(1)(2) (3)(5)
Response Time(ON) (B→W)	t_{on}	$\theta_{L,R,U,D}=0^\circ$	Ta=25°C	—	15	30	ms	(1) (4) (5)		
			Ta=0°C	—	50	100	ms			
Response Time(OFF) (W→B)	t_{off}	$\theta_{L,R,U,D}=0^\circ$	Ta=25°C	—	10	25	ms	(1) (4) (5)		
			Ta=0°C	—	50	100	ms			
Brightness	I	$\theta_{L,R,U,D}=0^\circ$ V _{CC} =5V I _L =7mA		(360)	(450)		cd/m ²	White *1	(1)(5)	
Brightness Uniformity	□I			70	—	—	%		(1)(5) (7)	
Chromaticity	W		x	(0.293)	(0.323)	(0.353)	—		(1) (5)	
			y	(0.307)	(0.337)	(0.367)	—			
	R G B		(x, y)	Red	(0.648 , 0.346) Typ.					
			Green	(0.292 , 0.602) Typ.						
			Blue	(0.150 , 0.130) Typ.						
LCD Panel Type					TFT Color					
Display Mode					Normaly Black					
Wide Viewing Angle Technology					MVA					
Optimum Viewing Angle					— (symmentry)				(6)	
Display Color					16,777,216 (8-bit color)					
Color of non-display area					Black					
Surface Treatment					Anti-glare (Haze value: (25%), 2H)					

(*1) Value at 15~20 minutes after lighting on.

(Note) •CS-1000 (MINOLTA Co., Ltd.) , BM-5A(Topcon) and the like should be used
as a luminance colorimeter.
Field=1°, L=500mm
• Back-light current = 7mA, Dark room condition(1 lux or less)

DOCUMENT CONTROL SECTION

DATE

						TITLE		FLC48SXC8V-05	
						DRAW. NO.			CUST.
						Tech Bes LCD-00161			
EDIT	DATE	DESIG.	CHECK	APPR.	DESCRIPTION		FUJITSU DISPLAY TECHNOLOGIES CORPORATION		8 /

Note 1) Definition of Viewing Angle (1)

Based on Figure 9-1.

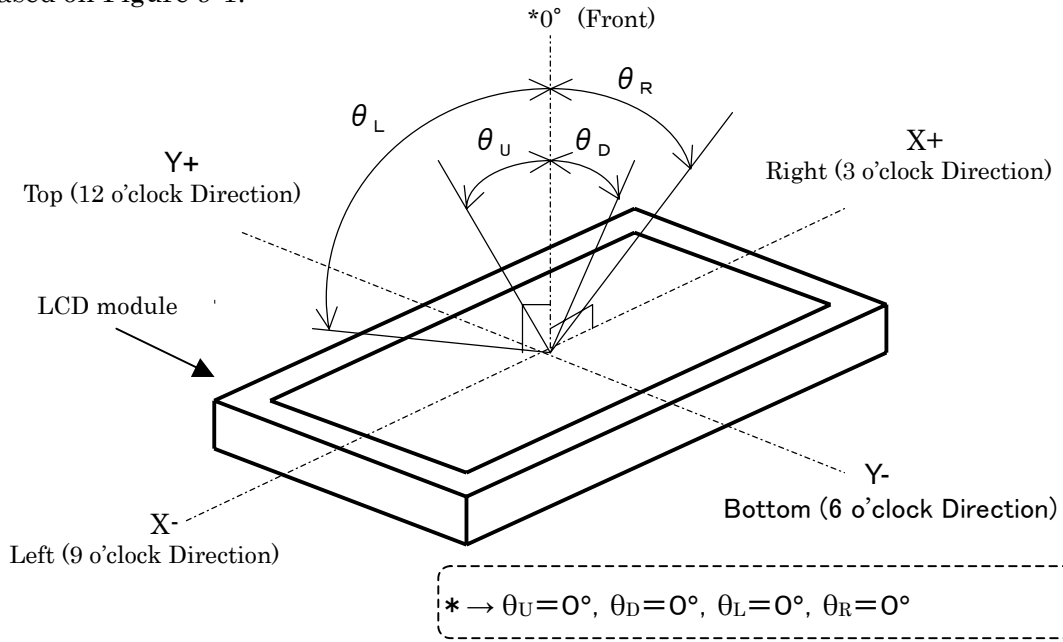


Figure 9-1 Definition of Viewing Angle (1)

Note 2) Definition of Viewing Angle (2)

Based on Figure 9-2.

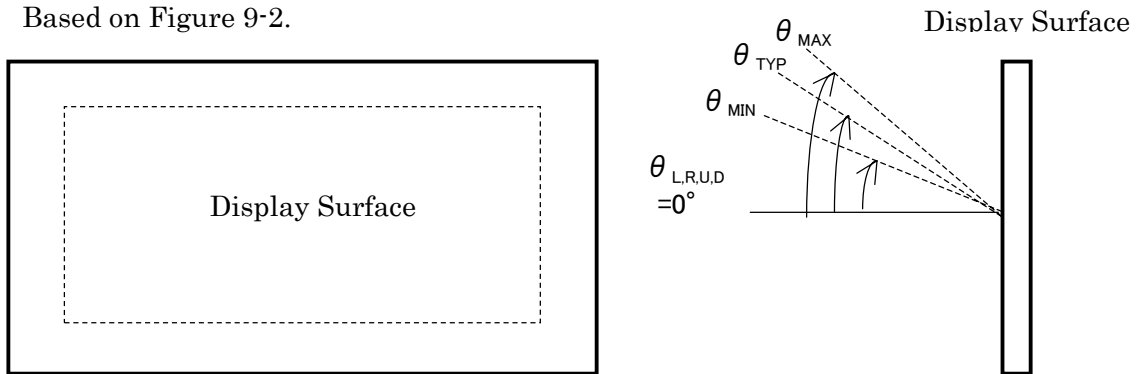


Figure 9-2 Definition of Viewing Angle (2)

Note 3) Definition of Contrast Ratio (CR)

Determined by Formula (1) based on Figure 9-3 Voltage-Brightness characteristics.

$$= \frac{L_W \text{ (Brightness at white)}}{L_B \text{ (Brightness at black) } \dots\dots(1)}$$

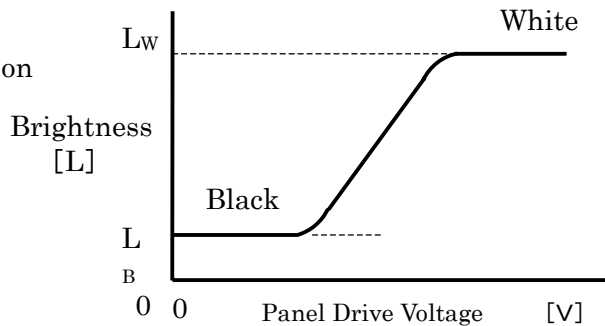


Figure 9-3 Voltage-Brightness Characteristics

DOCUMENT CONTROL SECTION

DATE

						TITLE FLC48SXC8V-05	
						DRAW. NO. Tech Bes LCD-00161	
						CUST.	
EDIT	DATE	DESIG.	CHECK	APPR.	DESCRIPTION	FUJITSU DISPLAY TECHNOLOGIES CORPORATION	
DESIG.			CHECK		APPR.	9 /	

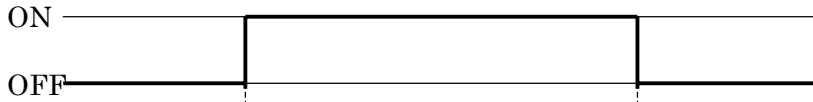
TENTATIVE

Note 4) Definition of Response Time

Based on Figure 9-4.

A

Drive signal of LCD panel



Non-select status Select status Non-select status

B

Relative Brightnes

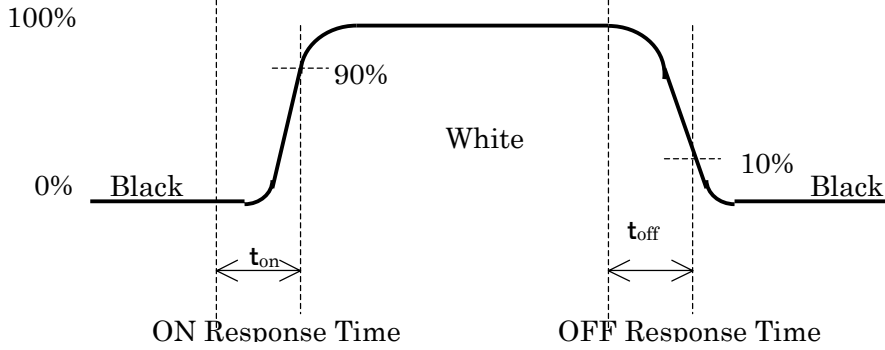


Figure 9-4 Definition of Response Time

C

Note 5) Contrast Ratio and Response Measurement System

Based on Figure 9-5.

D

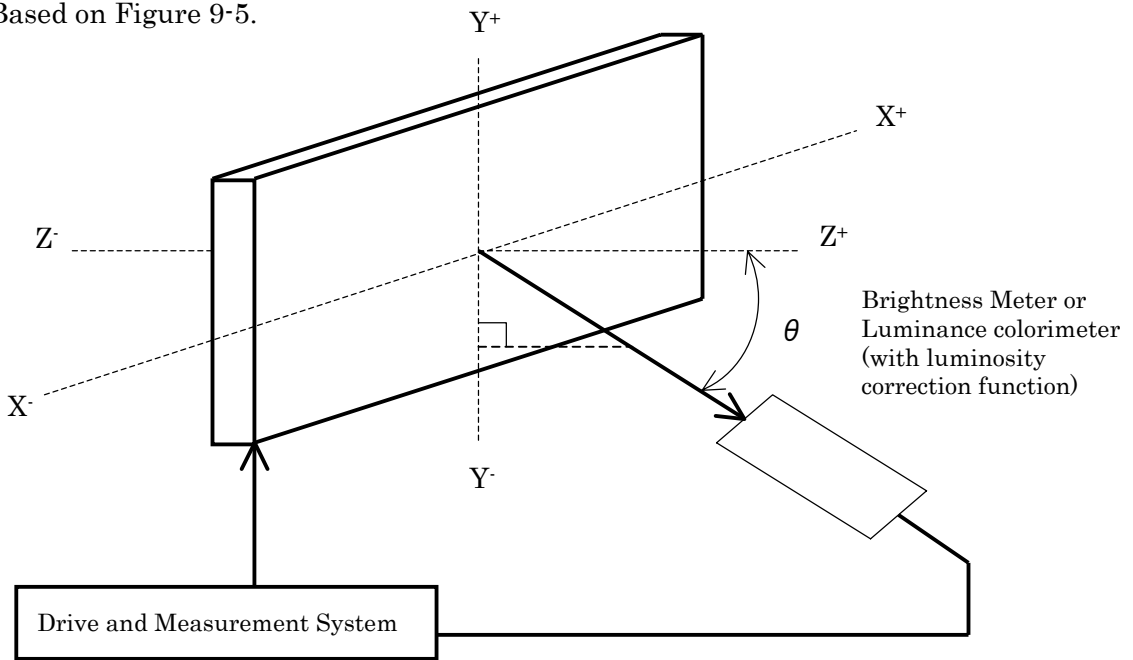


Figure 9-5 Contrast Ratio and Response Time Measurement System

DOCUMENT CONTROL SECTION
DATE

						TITLE FLC48SXC8V-05	
						DRAW. NO. Tech Bes LCD-00161	
						CUST.	
EDIT	DATE	DESIG.	CHECK	APPR.	DESCRIPTION	FUJITSU DISPLAY TECHNOLOGIES CORPORATION	
						10/	

Note 6) Definition of Optimum Viewing Angle

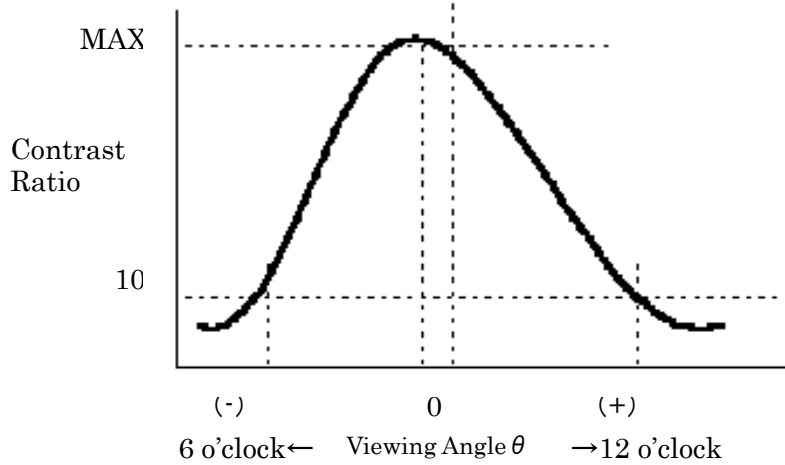


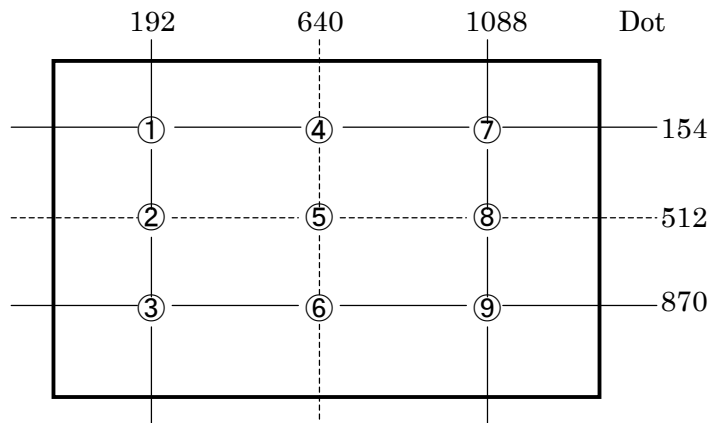
Figure 9-6 Definition of Viewing Angle

Note 7) Definition of Brightness Uniformity

Brightness uniformity is defined by the following formula.

Brightness (I1~I9) are measured at the following 9 points (□~□) on the display area that is shown in Figure 9-7.

$$\text{Brightness Uniformity } (\square L) = \frac{|\text{Min. In }|}{|\text{Max. In }|} \times 100 (\%), n = 1 \text{ to } 9$$



Note) Each measurement point (□~□) defines the center spot of view of Brightness Meter. The tolerance of measurement position is ±3mm.

Figure 9-7 Measurement Points

DOCUMENT CONTROL SECTION

						TITLE		FLC48SXC8V-05	
						DRAW. NO.		CUST.	
						Tech Bes LCD-00161			
EDIT	DATE	DESIG.	CHECK	APPR.	DESCRIPTION	FUJITSU DISPLAY TECHNOLOGIES CORPORATION		11/	
DESIG.			CHECK		APPR.				

TENTATIVE**10. INTERFACE SPECIFICATIONS**10-1 Signal descriptions

Table 10-1 shows the description and configuration of interface signals (CN1).

Table 10-1 Interface signals (CN1)

Pin No.	Symbol	I/O	Function
1	RxO0-	I	Negative differential input
2	RxO0+	I	Positive differential input
3	RxO1-	I	Negative differential input
4	RxO1+	I	Positive differential input
5	RxO2-	I	Negative differential input
6	RxO2+	I	Positive differential input
7	GND	—	Ground
8	RxOC-	I	Negative differential input
9	RxOC+	I	Positive differential input
10	RxO3-	I	Negative differential input
11	RxO3+	I	Positive differential input
12	RxE0-	I	Negative differential input
13	RxE0+	I	Positive differential input
14	GND	—	Ground
15	RxE1-	I	Negative differential input
16	RxE1+	I	Positive differential input
17	GND	—	Ground
18	RxE2-	I	Negative differential input
19	RxE2+	I	Positive differential input
20	RxEC-	I	Negative differential input
21	RxEC+	I	Positive differential input
22	RxE3-	I	Negative differential input
23	RxE3+	I	Positive differential input
24	GND	—	Ground
25	TST	—	Test pin *1
26	PD	I	LVDS Core Power Down
27	TST	—	Test pin *1
28	Vcc	—	+5V power supply
29	Vcc	—	+5V power supply
30	Vcc	—	+5V power supply

Connector : FI-X30S-HF (Japan Aviation Electronics)

User's connector : FI-X30M (FPC type) (Japan Aviation Electronics)

FI-X30H (Wire type)

FI-X30C (Coaxial cable type)

*1: Keep open. (Internal test use only.)

DOCUMENT CONTROL SECTION

DATE

						TITLE	FLC48SXC8V-05	
						DRAW. NO.	Tech Bes LCD-00161	
							CUST.	
EDIT	DATE	DESIG.	CHECK	APPR.	DESCRIPTION	FUJITSU DISPLAY TECHNOLOGIES CORPORATION		12/
	DESIG.		CHECK	APPR.				

TENTATIVE

10-2 LVDS Data Assignment

Table 10-2 shows the LVDS Data Assignment.

Table 10-2 LVDS Data Assignment

Input signal *1		Transmitter DS90CF383,C385		Interface connector			Receiver DS90CF386		LCD Control input		
		pin	INPUT	System side	LCD module		pin	OUTPUT			
					pin						
LVDS Odd	RO2	51	TxIN0	Tx OUT0+	2	RxO0+	27	RxOUT0	RO2		
	RO3	52	TxIN1				29	RxOUT1	RO3		
	RO4	54	TxIN2				30	RxOUT2	RO4		
	RO5	55	TxIN3				32	RxOUT3	RO5		
	RO6	56	TxIN4				33	RxOUT4	RO6		
	RO7	3	TxIN6	Tx OUT0-	1	RxO0-	35	RxOUT6	RO7		
	GO2	4	TxIN7				37	RxOUT7	GO2		
	GO3	6	TxIN8				38	RxOUT8	GO3		
	GO4	7	TxIN9				39	RxOUT9	GO4		
	GO5	11	TxIN12				43	RxOUT12	GO5		
	GO6	12	TxIN13	Tx OUT1+	4	RxO1+	45	RxOUT13	GO6		
	GO7	14	TxIN14				46	RxOUT14	GO7		
	BO2	15	TxIN15				47	RxOUT15	BO2		
	BO3	19	TxIN18				51	RxOUT18	BO3		
	BO4	20	TxIN19				53	RxOUT19	BO4		
	BO5	22	TxIN20	Tx OUT2+	6	RxO2+	54	RxOUT20	BO5		
	BO6	23	TxIN21				55	RxOUT21	BO6		
	BO7	24	TxIN22				1	RxOUT22	BO7		
	RSVD	27	TxIN24				3	RxOUT24	Not use		
	RSVD	28	TxIN25				5	RxOUT25	Not use		
	ENAB	30	TxIN26	Tx OUT2-	5	RxO2-	6	RxOUT26	ENAB		
	RO0	50	TxIN27				7	RxOUT27	RO0		
	RO1	2	TxIN5				34	RxOUT5	RO1		
	GO0	8	TxIN10				41	RxOUT10	GO0		
	GO1	10	TxIN11				42	RxOUT11	GO1		
BO0	16	TxIN16	Tx OUT3+	11	RxO3+	49	RxOUT16	BO0			
BO1	18	TxIN17				50	RxOUT17	BO1			
RSVD	25	TxIN23				2	RxOUT23	Not use			
DCLK	31	TxCLK IN				TxCLK OUT+	9	RxCLK IN+	26	RxCLK OUT	DCLK
						TxCLK OUT-	8	RxCLK IN-			
LVDS Even	RE2	51	TxIN0	Tx OUT0+	13	RxEO+	27	RxOUT0	RE2		
	RE3	52	TxIN1				29	RxOUT1	RE3		
	RE4	54	TxIN2				30	RxOUT2	RE4		
	RE5	55	TxIN3				32	RxOUT3	RE5		
	RE6	56	TxIN4				33	RxOUT4	RE6		
	RE7	3	TxIN6	Tx OUT0-	12	RxEO-	35	RxOUT6	RE7		
	GE2	4	TxIN7				37	RxOUT7	GE2		
	GE3	6	TxIN8				38	RxOUT8	GE3		
	GE4	7	TxIN9				39	RxOUT9	GE4		
	GE5	11	TxIN12				43	RxOUT12	GE5		
	GE6	12	TxIN13	Tx OUT1+	16	RxE1+	45	RxOUT13	GE6		
	GE7	14	TxIN14				46	RxOUT14	GE7		
	BE2	15	TxIN15				47	RxOUT15	BE2		
	BE3	19	TxIN18				51	RxOUT18	BE3		
	BE4	20	TxIN19				53	RxOUT19	BE4		
	BE5	22	TxIN20	Tx OUT2+	19	RxE2+	54	RxOUT20	BE5		
	BE6	23	TxIN21				55	RxOUT21	BE6		
	BE7	24	TxIN22				1	RxOUT22	BE7		
	RSVD	27	TxIN24				3	RxOUT24	Not use		
	RSVD	28	TxIN25				5	RxOUT25	Not use		
	RSVD	30	TxIN26	Tx OUT2-	18	RxE2-	6	RxOUT26	Not use		
	RE0	50	TxIN27				7	RxOUT27	RE0		
	RE1	2	TxIN5				34	RxOUT5	RE1		
	GE0	8	TxIN10				41	RxOUT10	GE0		
	GE1	10	TxIN11				42	RxOUT11	GE1		
BE0	16	TxIN16	Tx OUT3+	23	RxE3+	49	RxOUT16	BE0			
BE1	18	TxIN17				50	RxOUT17	BE1			
RSVD	25	TxIN23				2	RxOUT23	Not use			
DCLK	31	TxCLK IN				TxCLK OUT+	21	RxCLK IN+	26	RxCLK OUT	Not use
						TxCLK OUT-	20	RxCLK IN-			

*1 ·RSVD (reserved) pin on a transmitter should be connected with Ground.

·Input odd or even data depending on the display position of the LCD module.

DOCUMENT CONTROL SECTION

						TITLE FLC48SXC8V-05	
						DRAW. NO. Tech Bes LCD-00161	
						CUST. 13/	
EDIT	DATE	DESIG.	CHECK	APPR.	DESCRIPTION	FUJITSU DISPLAY TECHNOLOGIES CORPORATION	
DESIG.			CHECK		APPR.		

TENTATIVE

10-3 Color Data Assignment

Table 10-3 shows the Color Data Assignment.

Table 10-3 Color Data Assignment

Color		R Input data								G Input data								B Input data							
	Odd	R7	R6	R5	R4	R3	R2	R1	R0	G7	G6	G5	G4	G3	G2	G1	G0	B7	B6	B5	B4	B3	B2	B1	B0
	Even	R7	R6	R5	R4	R3	R2	R1	R0	G7	G6	G5	G4	G3	G2	G1	G0	B7	B6	B5	B4	B3	B2	B1	B0
Basic Color	Black	0	0	0	0	0	0	0	0	0	0	0	0	0	0	0	0	0	0	0	0	0	0	0	0
	Blue	0	0	0	0	0	0	0	0	0	0	0	0	0	0	0	0	1	1	1	1	1	1	1	1
	Green	0	0	0	0	0	0	0	0	1	1	1	1	1	1	1	1	0	0	0	0	0	0	0	0
	Cyan	0	0	0	0	0	0	0	0	1	1	1	1	1	1	1	1	1	1	1	1	1	1	1	1
	Red	1	1	1	1	1	1	1	1	0	0	0	0	0	0	0	0	0	0	0	0	0	0	0	0
	Magenta	1	1	1	1	1	1	1	1	0	0	0	0	0	0	0	0	1	1	1	1	1	1	1	1
	Yellow	1	1	1	1	1	1	1	1	1	1	1	1	1	1	1	1	0	0	0	0	0	0	0	0
	White	1	1	1	1	1	1	1	1	1	1	1	1	1	1	1	1	1	1	1	1	1	1	1	1
Red	Black	0	0	0	0	0	0	0	0	0	0	0	0	0	0	0	0	0	0	0	0	0	0	0	0
	↑	1	0	0	0	0	0	0	0	0	0	0	0	0	0	0	0	0	0	0	0	0	0	0	0
	↑	:	:	:	:	:	:	:	:	:	:	:	:	:	:	:	:	:	:	:	:	:	:	:	
	:	:	:	:	:	:	:	:	:	:	:	:	:	:	:	:	:	:	:	:	:	:	:	:	
	↓	:	:	:	:	:	:	:	:	:	:	:	:	:	:	:	:	:	:	:	:	:	:	:	
	Brighter	253	1	1	1	1	1	1	0	0	0	0	0	0	0	0	0	0	0	0	0	0	0	0	0
	↓	254	1	1	1	1	1	1	1	0	0	0	0	0	0	0	0	0	0	0	0	0	0	0	0
Red	255	1	1	1	1	1	1	1	0	0	0	0	0	0	0	0	0	0	0	0	0	0	0	0	
Green	Black	0	0	0	0	0	0	0	0	0	0	0	0	0	0	0	0	0	0	0	0	0	0	0	0
	↑	1	0	0	0	0	0	0	0	0	0	0	0	0	0	0	1	0	0	0	0	0	0	0	0
	↑	:	:	:	:	:	:	:	:	:	:	:	:	:	:	:	:	:	:	:	:	:	:	:	
	:	:	:	:	:	:	:	:	:	:	:	:	:	:	:	:	:	:	:	:	:	:	:	:	
	↓	:	:	:	:	:	:	:	:	:	:	:	:	:	:	:	:	:	:	:	:	:	:	:	
	Brighter	253	0	0	0	0	0	0	0	1	1	1	1	1	1	0	1	0	0	0	0	0	0	0	0
	↓	254	0	0	0	0	0	0	0	1	1	1	1	1	1	1	0	0	0	0	0	0	0	0	0
Green	255	0	0	0	0	0	0	0	1	1	1	1	1	1	1	1	0	0	0	0	0	0	0	0	
Blue	Black	0	0	0	0	0	0	0	0	0	0	0	0	0	0	0	0	0	0	0	0	0	0	0	0
	↑	1	0	0	0	0	0	0	0	0	0	0	0	0	0	0	0	0	0	0	0	0	0	0	1
	↑	:	:	:	:	:	:	:	:	:	:	:	:	:	:	:	:	:	:	:	:	:	:	:	
	:	:	:	:	:	:	:	:	:	:	:	:	:	:	:	:	:	:	:	:	:	:	:	:	
	↓	:	:	:	:	:	:	:	:	:	:	:	:	:	:	:	:	:	:	:	:	:	:	:	
	Brighter	253	0	0	0	0	0	0	0	0	0	0	0	0	0	0	0	1	1	1	1	1	1	0	1
	↓	254	0	0	0	0	0	0	0	0	0	0	0	0	0	0	0	1	1	1	1	1	1	1	0
Blue	255	0	0	0	0	0	0	0	0	0	0	0	0	0	0	0	1	1	1	1	1	1	1	1	

Note.1) Definition of gray scale:Color (n)...”n” indicates gray scale level.

Larger number means brighter level.

Note.2) Data; 1:High, 0:Low

Note 3) Color data consist of 8 bit red, green and blue data of odd and even number pixel data. Total data number is 48 signals. This module is able to display 16,777,216 colors because each red, green and blue data is controlled independently.

DOCUMENT CONTROL SECTION

DATE

						TITLE		FLC48SXC8V-05	
						DRAW. NO.			CUST.
						Tech Bes LCD-00161			
EDIT	DATE	DESIG.	CHECK	APPR.	DESCRIPTION				FUJITSU DISPLAY TECHNOLOGIES CORPORATION
									14/

10-4 Input Signal Timing

Table 10-4 and Figure 10-1 shows the Input Signal Timing at LVDS transmitter.

Table 10-4 Timing Characteristics (Ta=0~50°C, Vcc=5±0.25V)

Item		Symbol	Min.	Typ.	Max.	Unit	Remark
DCLK signal (Clock)	Period	Tc	16.7	18.5	25.0	ns	
	Frequency	1/Tc	40	54	60	MHz	
	Duty	Tch/Tc	45	50	55	%	
	High time	TelkH	5.0	—	—	ns	
	Low time	TelkL	5.0	—	—	ns	
DCLK-Data Timing	Setup time	Tset	3	—	—	ns	
	Hold time	Thold	5	—	—	ns	
ENAB signal	Horizontal Period	Th	5500/Tc+450	844	887 *1	DCLK	Tc=ns
	Hor. Period (1)	Th	14.0	15.6	—	μs	*4
	Hor. Period (2)	Th	10.6	15.6	—	μs	*4
	Hor. Display period	Thd	640	640	640	DCLK	*2
	Vertical Period	Tv	1028 *1	1066	1088 *1	Th	16.67ms
	Ver. Frequency	1/Tv	50	60	69	Hz	
	Ver. Display period	Tvd	1024	1024	1024	Th	*2
Data-ENAB timing	Tdn	—	0	—	DCLK	*3	

- *1) •horizontal display position is specified by the rise of ENAB.
The data latched at falling edge of DCLK after rise of ENAB is displayed at the left edge of the display area.
- Vertical display position is specified by the rise of ENAB after low level continuation over 2048 DCLK.
The data latched at the rise of ENAB is displayed at the top line of the display area.
- *2) •If the “High” level period of ENAB is less than 640 DCLK or the number of ENAB in a frame period (Tv) is less than 1024, black color is displayed at the rest of the display area.
- *3) •If ENAB does not synchronize with the effective display data, the display position does not fit to the display area.
- *4) •Hor. Period (2) shows the operating range where internal circuit can work correctly.
•When ENAB signal is out of Hor. Period (1), the display quality may deteriorate.

DATE DOCUMENT CONTROL SECTION

						TITLE		FLC48SXC8V-05			
						DRAW. NO.			CUST.		
						Tech Bes LCD-00161					
EDIT	DATE	DESIG.	CHECK	APPR.	DESCRIPTION					FUJITSU DISPLAY TECHNOLOGIES CORPORATION	15/
	DESIG.		CHECK		APPR.						

TENTATIVE

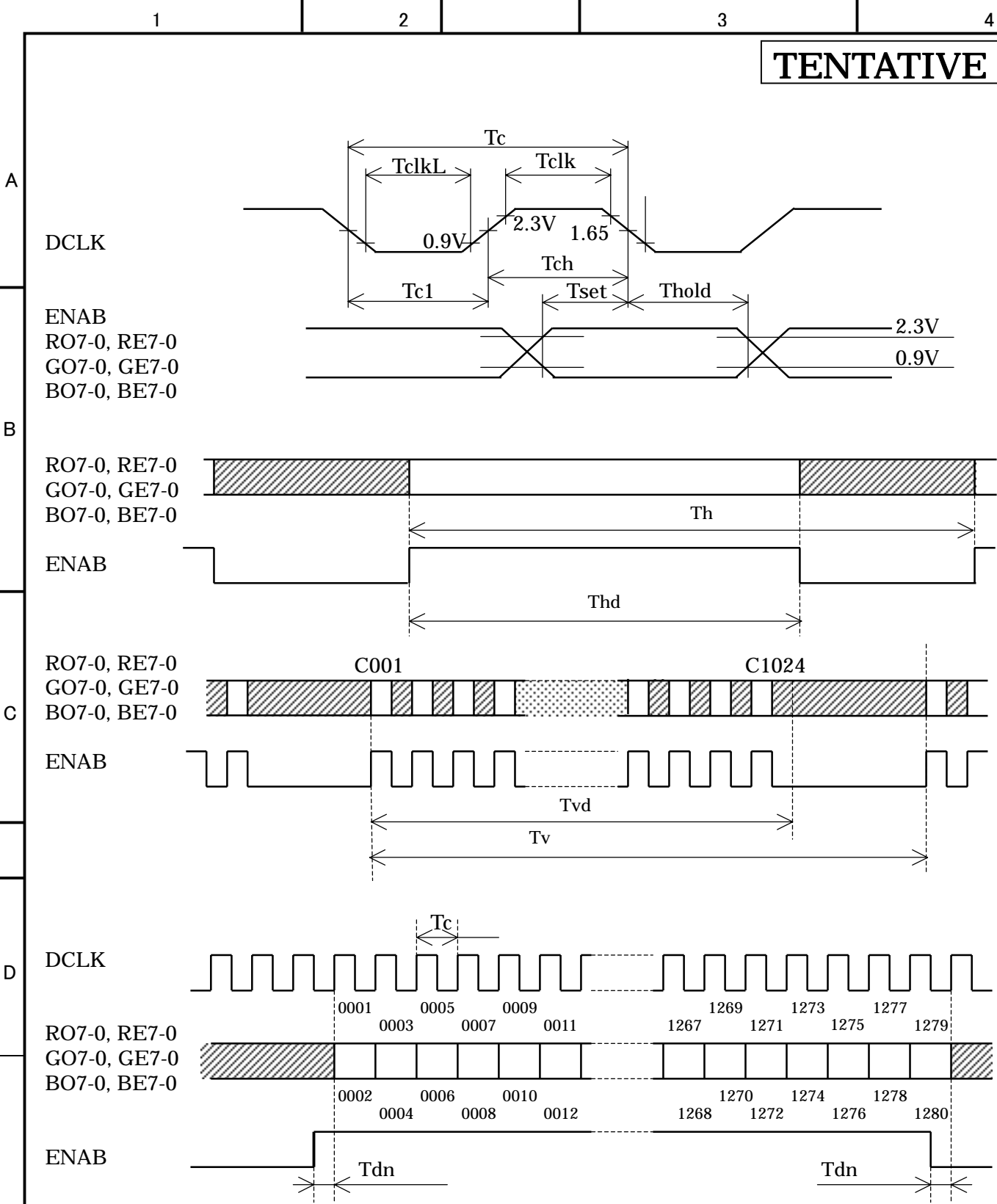


Figure 10-1 Input Signal Timing Chart

DOCUMENT CONTROL SECTION

DATE

					TITLE FLC48SXC8V-05	
					DRAW. NO. Tech Bes LCD-00161	
					CUST.	
EDIT	DATE	DESIG.	CHECK	APPR.	DESCRIPTION	
DESIG.			CHECK		FUJITSU DISPLAY TECHNOLOGIES CORPORATION	
					16 /	

10-4 Correspondence between Data and Display Position

Figure 10-2 shows the Correspondence between Data and Display Position.

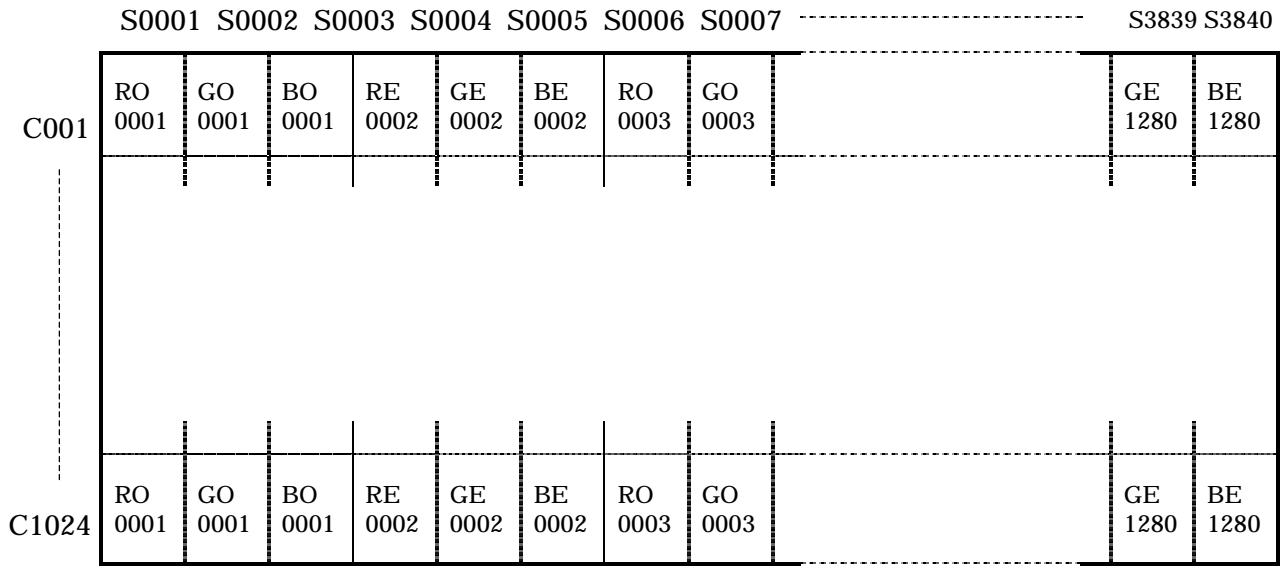
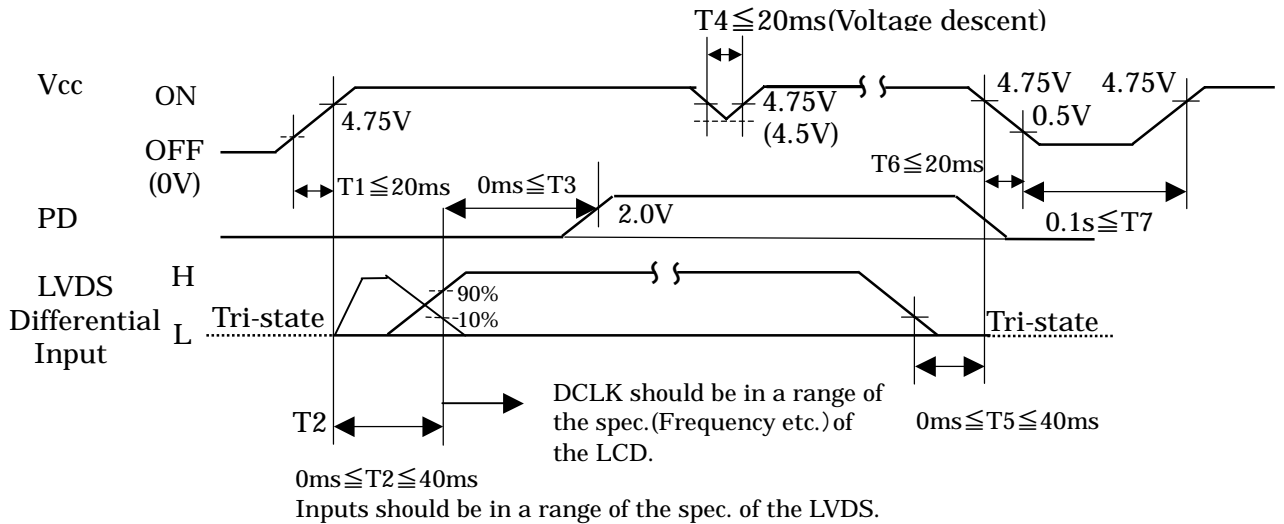


Figure 10-2 Correspondence Data and Display Position

10-5 Power Supply Sequence

The sequence of input signals and On/Off of the power supply of this LCD module should be in the specification shown in Figure 10-3 to prevent latch-up of the driver ICs and DC driving of the LCD panel.



*Note : PD input can be set open, if it is not used.

Figure 10-3 Power Supply Sequence

DOCUMENT CONTROL SECTION

						TITLE FLC48SXC8V-05	
						DRAW. NO. Tech Bes LCD-00161	
						CUST.	
EDIT	DATE	DESIG.	CHECK	APPR.	DESCRIPTION		
DESIG.			CHECK		FUJITSU DISPLAY TECHNOLOGIES CORPORATION		
							17 /

11. BACK-LIGHT SPECIFICATIONS

11-1 Pin configuration for Back-light

Table 11-1 shows the description and Pin assignment of the connectors (CN-A to D) for the Back-light of this LCD module.

Table 11-1 Pin Assignment of CN-A to CN-D

Pin No.	Signal						Function	Cable color
	CN-A	CN-B	CN-C	CN-D	CN-E	CN-F		
1	V _{L1}	V _{L2}	V _{L3}	V _{L4}	V _{L5}	V _{L6}	Power supply	T.B.D.
2	—	—	—	—	—	—	—	—
3	GND	GND	GND	GND	GND	GND	Ground	T.B.D.

Connector : Housing : BHR-03VS-1
 Contact : SBH-001T-P0.5
 User's Connector : Post with base: SM02(8.0)B-BHS-1-TB
 Supplier : Japan Solderless Terminal Trading Company LTD. (J.S.T.)

11-2 CCFL

Supplier: T.B.D. Part No. T.B.D.

11-3 Life

The life of the back-light is a minimum of 50,000 hours at the following conditions.

(1) Working conditions

- ① Ambient temperature: 25±5°C
- ② Tube current (I_L) : (7mA or less)

(2) Definition of life

- ① Brightness becomes 50% or less than the minimum brightness value shown in Table 9-1.
- ② The lamp cannot be lit by the minimum value of the breakdown voltage(1760Vrms) shown in Table 8-1.
- ③ Flashing.

11-4 Lamp assembly set (for replacement)

Lamp assembly set(with charge)is prepared for replacing old lamp to new one. This set consists of a upper lamp assembly and a lower lamp assembly.

Type number : T.B.D.
 Drawing No. : T.B.D.
 Minimum order qty. unit : T.B.D.

DATE DOCUMENT CONTROL SECTION

						TITLE		FLC48SXC8V-05	
						DRAW. NO.			CUST.
						Tech Bes LCD-00161			
EDIT	DATE	DESIG.	CHECK	APPR.	DESCRIPTION				FUJITSU DISPLAY TECHNOLOGIES CORPORATION
		DESIG.		CHECK		APPR.		18 /	

TENTATIVE

12. APPEARANCE SPECIFICATIONS

12-1 Appearance

No.	Item	Judgment method and standard		
1	Bright spot (high and Low)	≤ 4 dots	(Note 1)	
2	Bright spot connection (high and low)	≤ 2 pair (2 dot connection in horizontal only)	(Note 1)	
3	Total of bright spot	≤ 4 dots		
4	Dark spot	≤ 8 dots	(Note 2)	
5	Dark spot connection	≤ 3 pairs	(Note 2)	
6	Total of dark spot	≤ 8 dots	(Note 2)	
7	Total of dot defect (bright and dark)	≤ 8 dots		
8	Distance of bright spot	high-hgh	≥ 15 mm	
		others	≥ 5 mm	
9	Distance of dark spot	≥ 5 mm		
10	Scratch on polarizer, line shape	$W \leq 0.03$	Ignore	
		$0.03 < W \leq 0.05$	$L \leq 6$	Ignore
			$6 < L \leq 12$	≤ 5
		$0.05 < W \leq 0.10$	$12 < L$	0
			$L \leq 0.6$	Ignore
$0.10 < W$	$0.6 < L$	0		
11	Dent on polarizer, dot shape	$D \leq 0.3$	Ignore	
		$0.3 < D \leq 0.4$	≤ 5	
		$0.4 < D$	0	
12	Bubble in polarizer	$D \leq 0.3$	Ignore	
		$0.3 < D \leq 0.5$	≤ 5	
		$0.5 < D$	0	
13	Black white spot (Foreign circular matter)	$D \leq 0.5$	≤ 5	
		$0.5 < D$	0	
14	Light leakage by foreign articles	$D \leq 0.3$	Ignore	
		$0.3 < D \leq 0.6$	≤ 4	
		$0.6 < D$	0	
15	Lints, black/white line	$W \leq 0.03$	Ignore	
		$0.03 < W \leq 0.05$	$L \leq 6$	Ignore
			$6 < L \leq 12$	≤ 4
		$0.05 < W \leq 0.10$	$12 < L$	0
			$L \leq 0.6$	Ignore
$0.10 < W$	$0.6 < L \leq 5$	≤ 2		
		$5 < L$	0	
		$(W+L)/2=D$	Conform to No.13	

D:Average diameter [mm], W:Width [mm], L:Length [mm], S=(bright spot size)/(dot size)

DOCUMENT CONTROL SECTION

DATE

						TITLE	FLC48SXC8V-05	
						DRAW. NO.	Tech Bes LCD-00161	CUST.
EDIT	DATE	DESIG.	CHECK	APPR.	DESCRIPTION	FUJITSU DISPLAY TECHNOLOGIES CORPORATION	19 /	

12-2 Dot defects (Bright spots, Dark spots)

12-2-1 Zone

- Inside display dot area (376.32×301.056mm)
- Display dot area means active area.
- One pixel consists of 3 dots (red, green and blue).
- Foreign particle and scratch unharmed to display image, such as the foreign particle under polarizer film but outside of the display area and scratch on metal bezel, backlight module or polarizer film out of the display area, etc., are not counted.

12-2-2 Bright spots

(1) Bright spots by the defect of TFT.

- Visible under bias of 2% ND filter High bright spot R•G
- Visible under 5% but invisible under 2% ND filter..... Low bright spot R•G•B
- Invisible under bias of 5% ND filter..... Not counted

(2) Bright spots by the light passing through tears, breaks, etc in color filter.

- Exceed size of a half dot High bright spot
- A half dot or less..... Not counted

(3) Bright spots by the light passing through tears, breaks, etc in chromium mask.

- Exceed 50µm High bright spot
- 50µm or less Not counted

12-2-3 Test condition

- Inspector must observe the LCD screen from the normal direction under the illumination by a single 20W fluorescent lamp. The distance between the LCD screen and the inspector should be a height of 50cm above the worktable.
The vertical illuminance is 300 to 600lux (reference value).
- Bright spot should be counted under entire black screen.
- Dark spot should be counted under entire white screen.
- Input signal timing should be typical value.

(Note1) Please do not mistake a single bright spot for a bright spot connection due to Cs(supplemental capacitance) line at the center of each dot.

(Note2) If a pixel is dark partially, it connects into the number of dark spots in accordance with following rule.

- (a) $A < 1/3$: Not count. Only one of 4 dark connection is allowed.
 - (b) $1/3 \leq A < 2/3$: Considered as 0.5 dot.
 - (c) $2/3 \leq A$: Considered as 1 dot.
- (A=Dark spot size/dot size)

DOCUMENT CONTROL SECTION

						TITLE		FLC48SXC8V-05	
						DRAW. NO.			CUST.
						Tech Bes LCD-00161			
EDIT	DATE	DESIG.	CHECK	APPR.	DESCRIPTION		FUJITSU DISPLAY TECHNOLOGIES CORPORATION		20 /

13. ENVIRONMENTAL SPECIFICATIONS

Table 13-1 show the environmental specifications.

Table 13-1 Environmental specifications

Item	Condition	Remark
Temperature	Operation	0~50°C
	Storage	-20~60°C
Humidity	Operation	20~85%RH
	Storage	5~85%RH
Vibration	Non-operation	10~500Hz, 1octave/ 20minute, 19.6m/s ² (2G), 1.5mm max, 1hour each X, Y and Z directions.
Shock *1	Non-operation	294m/s ² (30G), 6ms, 1time each ±X, ±Y and ±Z directions.

*1) When LCD module is mounted with side mount holes, the shock condition is 196m/s²(20G).

NOTE: Table 13-2 and Figure 13-1 show the shock resistance standard when module is packaged.

Table 13-2 Shock resistance standard when module is packaged

Dropping location	Dropping height	Count
A~J	60cm	1 time

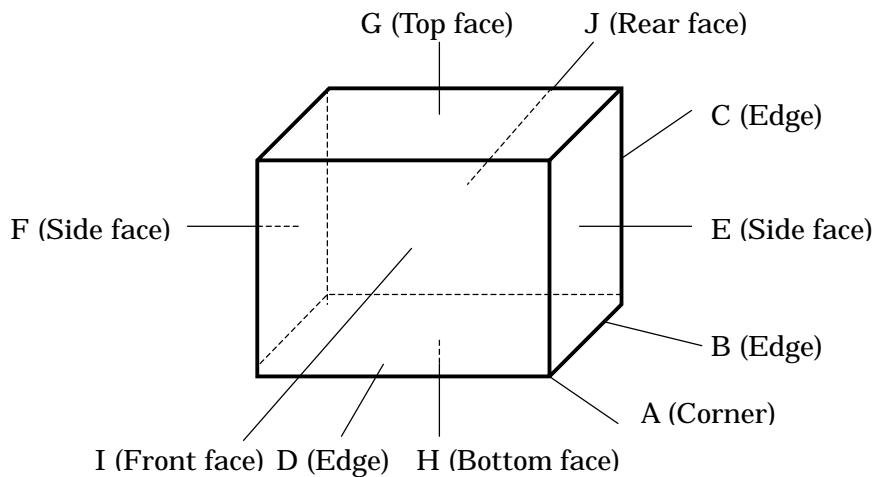


Figure 13-1 Direction to apply shock to package

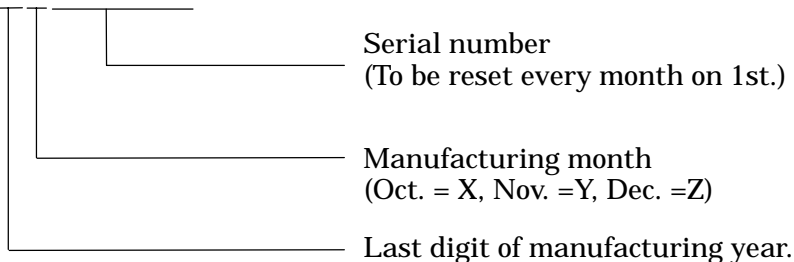
DOCUMENT CONTROL SECTION

						TITLE		FLC48SXC8V-05	
						DRAW. NO.		Tech Bes LCD-00161	
								CUST.	
EDIT	DATE	DESIG.	CHECK	APPR.	DESCRIPTION				
DESIG.			CHECK		FUJITSU DISPLAY TECHNOLOGIES CORPORATION				
								21 /	

14. INDICATIONS

This module has the following indications.

- (1) Product name : LCD unit
- (2) Model Number : FLC48SXC8V-05
- (3) Product Drawing Number : NA19020-C971
- (4) Manufacturing Number : 2Y00001



- (5) Version number : 01A (Example)
 -1st 2 digits "01" means operational version.
 -3rd alphabet means functional version.
- (6) Manufacturer Country Name : MADE IN JAPAN
- (7) Company Name : FUJITSU DISPLAY TECHNOLOGIES CORP.
- (8) Disposal method of cold-cathode tubes. (See Figure 14-2)
- (9) Caution when changing cold-cathode tubes. (See Figure 14-3)

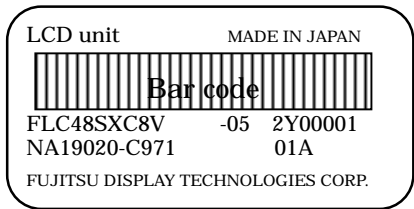


Figure 14-1 Product Label (Example)



Figure 14-2

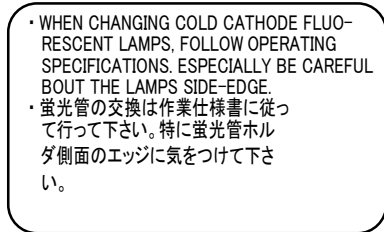


Figure 14-3

15. PACKAGING

15-1 Packing specifications

- (1) 5 LCD modules/1package.
- (2) Weight: approximately 16kg/1package.
- (3) Outline dimensions: 534mm (W)x329mm (D)x 480mm (H)

15-2 Packing method

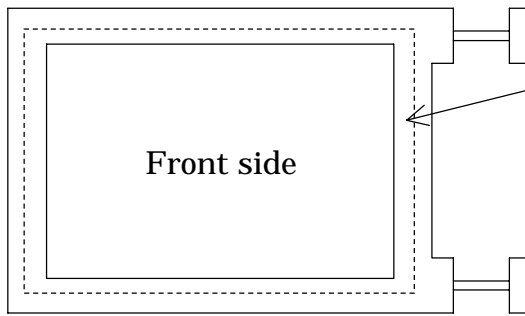
Figure 15-2 show the packing method.

DOCUMENT CONTROL SECTION

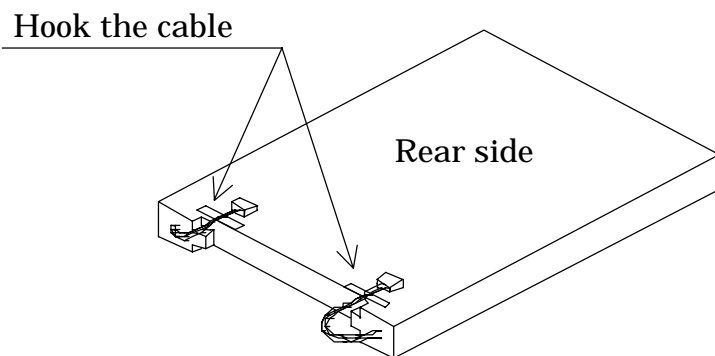
						TITLE FLC48SXC8V-05	
						DRAW. NO. Tech Bes LCD-00161	
						CUST.	
EDIT	DATE	DESIG.	CHECK	APPR.	DESCRIPTION		
DESIG.			CHECK		FUJITSU DISPLAY TECHNOLOGIES CORPORATION		22 /

TENTATIVE

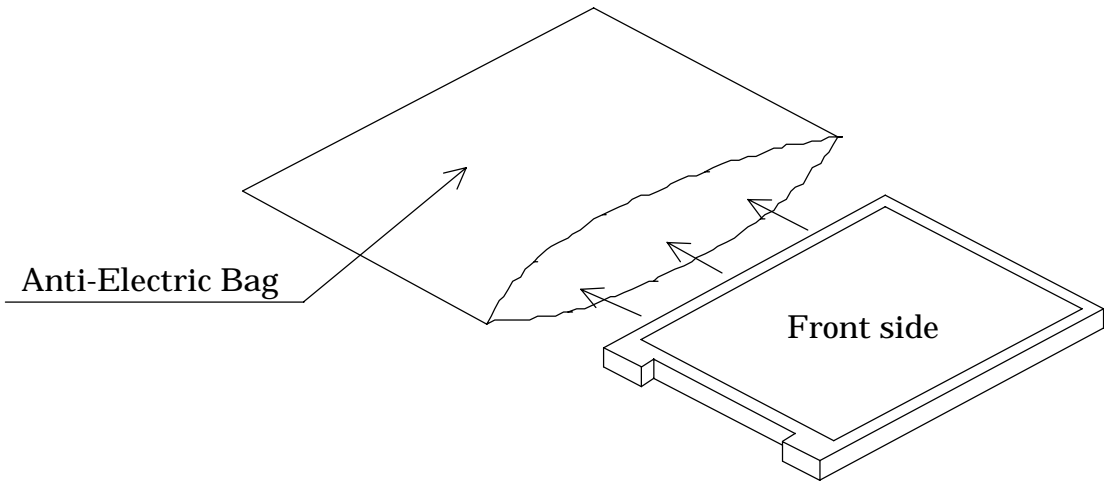
A



B



C



D

A

B

C

D

E

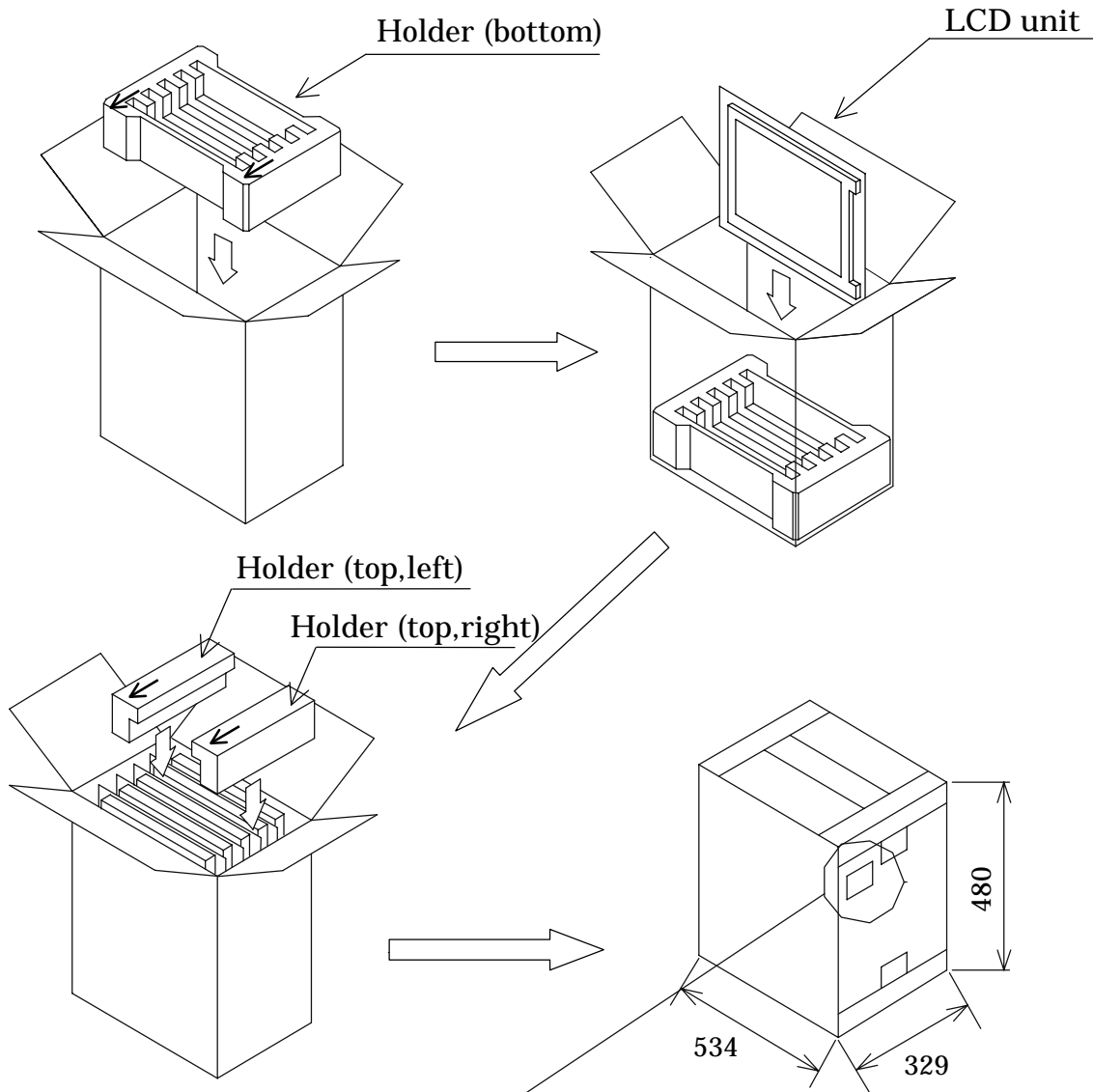
Fig.15-2 (a) Packaging Method

DOCUMENT CONTROL SECTION
DATE

						TITLE	FLC48SXC8V-05	
						DRAW. NO.		CUST.
						Tech Bes LCD-00161		
EDIT	DATE	DESIG.	CHECK	APPR.		DESCRIPTION	FUJITSU DISPLAY TECHNOLOGIES CORPORATION	23 /
	DESIG.		CHECK	APPR.				

F

TENTATIVE



Label (example)

型 格 (TYPE)	FLC48SXC8V	-05 数量 (QTY.)	5
図 番 (DRWG. NO.)	NA19020-C971	版 数 (REV. NO.)	01A
Bar code	2Y00001	Bar code	
	2Y00002		
	2Y00003		
	2Y00004		
	2Y00005		
Bar code			
MADE IN JAPAN			

- Taping
Top : H or I method
Bottom : H method
- Top and bottom holders should be anti-electrostatic type.

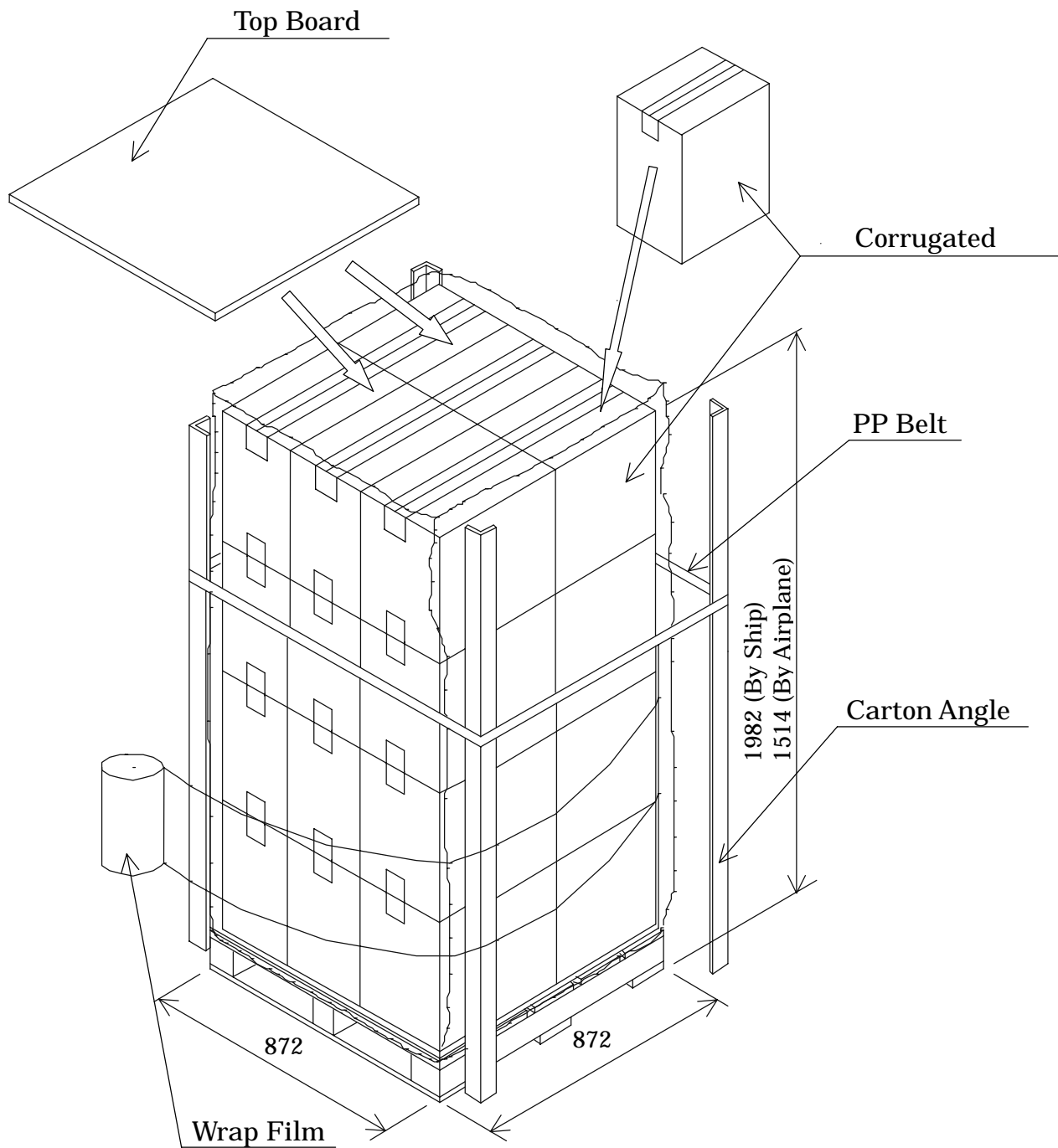
Fig.15-2 (b) Packaging Method

DOCUMENT CONTROL SECTION

DATE

						TITLE		FLC48SXC8V-05	
						DRAW. NO.			CUST.
						Tech Bes LCD-00161			
EDIT	DATE	DESIG.	CHECK	APPR.	DESCRIPTION				FUJITSU DISPLAY TECHNOLOGIES CORPORATION
DESIG.			CHECK		APPR.				

TENTATIVE



Up and Down : 3 times wrap
Middle : 2 times wrap

Note:1) 4 boxes × 4 layers (maximum 16 boxes) : by ship
4 boxes × 2 layers (maximum 8 boxes) : by airplane
Note:2) This drawing shows marine transportation specification.

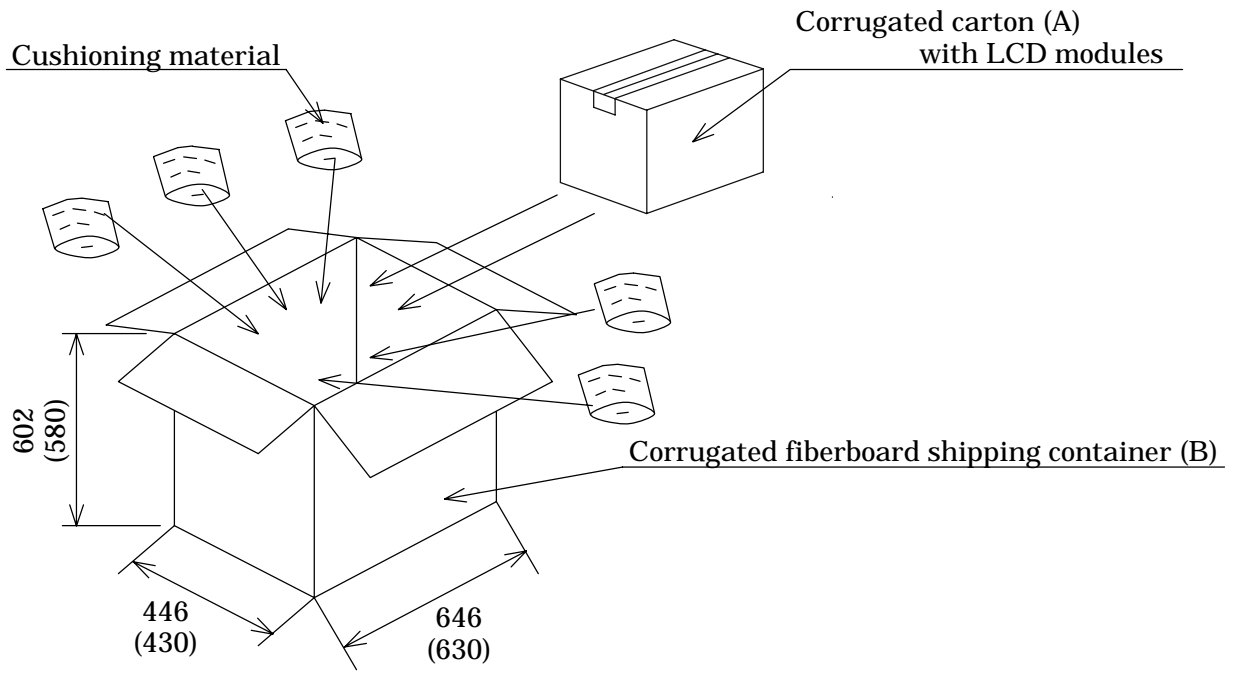
Fig.15-2 (c) Packaging Method

DOCUMENT CONTROL SECTION

DATE

						TITLE		FLC48SXC8V-05	
						DRAW. NO.		CUST.	
						Tech Bes LCD-00161			
EDIT	DATE	DESIG.	CHECK	APPR.	DESCRIPTION	FUJITSU DISPLAY TECHNOLOGIES CORPORATION		25 /	
DESIG.			CHECK		APPR.				

TENTATIVE



Note 1) The carton (A) should be placed in the middle of the container (B) with enough cushioning materials.

Note2) The figures in () show inside measurements of the container (B).

Figure.15-2 (d) Packing method

DOCUMENT CONTROL SECTION

						TITLE		FLC48SXC8V-05	
						DRAW. NO.			CUST.
						Tech Bes LCD-00161			
EDIT	DATE	DESIG.	CHECK	APPR.	DESCRIPTION				
DESIG.			CHECK			APPR.		FUJITSU DISPLAY TECHNOLOGIES CORPORATION	26 /

TENTATIVE

16.WARRANTY

A

The warranty period is one year after shipping. Products which fail during this period are repaired or replaced without charge, unless the failure is caused by user.

A

17.PRECAUTIONS

Adhere to the following precautions to use this LCD module properly.

(1) Fail safe design

B

LCD module has an inherent chance of failure. Customers must protect against injury, damage or loss from such failures by incorporating safety design measures into your facility and equipment such as redundancy, fire protection, and prevention of over-current levels and other abnormal operating conditions.

B

(2) Handling of LCD panel

C

Do not apply any strong mechanical shock to the LCD panel.

Since the LCD panel is made of glass, excessive shock may damage the panel or cause a malfunction.

Do not press hard on the LCD panel surface.

In the LCD panel, the gap between two glass plates is kept perfectly even to maintain display properties and reliability. The hard pressure on the LCD panel may cause the following problems.

C

Ununiformity of color

Disorder of orientation of liquid crystal

Problem returns to normal condition after a while. Problem returns to normal condition by turning the power off and turning on again.

However these operations should be avoided to insure reliability.

D

Do not scratch the polarizer film on the LCD panel surface.

- Do not press or rub the display surface with a hard tool, tweezers, etc.
- For handling, use cotton or conductive gloves so that the display surface is not soiled.
- If dust or dirt soils the display surface, clean it as follows with a soft cloth (deerskin, etc.)

D

[Dust] Wipe off with a soft cloth. (do not rub.)

[Dirt] Apply clear water to a soft cloth and squeeze hard out of water drops, then lightly wipe off the specified parts. Only if the dirt is hardly wiped off, use isopropyl alcohol or ethanol.

Be careful not to splash the water or the solvents on the edge of polarizer and in the LCD unit.

The polarizer possibly exfoliates due to the solvent and water penetrated between the polarizer and the LCD panel.

Do not use unspecified solvent such as ketone (acetone, etc.) and aromatics (xylene, toluene, etc.)

E

DATE DOCUMENT CONTROL SECTION

F

						TITLE		FLC48SXC8V-05	
						DRAW. NO.		Tech Bes LCD-00161	
						CUST.			
EDIT	DATE	DESIG.	CHECK	APPR.	DESCRIPTION				
DESIG.			CHECK		APPR.	FUJITSU DISPLAY TECHNOLOGIES CORPORATION		27 /	

TENTATIVE

(Caution) Be careful not to allow the water or solvent to enter the module.

- If saliva or water drops are left for a long period of time, the part may become deformed or discolored.

Wipe off immediately in the same way as for dirt.

- Do not allow oil to adhere to the module since excessive oil is hard to clean.

Do not place or contact objects on the display surface for a long period of time.

This may make some parts of the LCD module distorted and the quality of display may deteriorate.

(3) Handling of LCD module

Do not pull the cold-cathode tube cable strongly.

If the cable is pulled with the strength of 2kg or more, the cable may be damaged or may lose reliability.

Assemble the module into user's system in a dust free environment.

Conductive foreign matter adheres to the module may cause failures.

Take anti-electrostatic measures for assembling the module.

Since the LCD module contains CMOS-ICs, the following points should be observed.

- For assembling the module, operator should be grounded and wear cotton or conductive gloves.
- Floor of work area and work table to assemble the LCD module should be covered with electrostatic shielding in order to discharge static electricity via an earth wire.
- If necessary, ground operation tools (soldering iron, radio pliers, tweezers, etc.).
- Do not take the module out of the conductive bag until the module is assembled.
- Do not assemble the module under low humidity (50%RH or less).

Do not pull the connecting cable on the rear face of the LCD module strongly.

Do not disassemble or remodel the LCD module.

Disassembly or remodeling of the LCD module may result in malfunctions or deterioration of the display quality and reliability.

(4) Precautions in regards of operating the LCD module

Adhere to the specified power supply sequence.

If not followed, the CMOS-IC may cause a latch-up, or DC voltage may be applied to the liquid crystal, which cause a failure or serious deterioration in display quality.

Do not operate the LCD module when condensation occurs.

If the LCD module is operated when condensation is on the terminals of the LCD panel, the terminals cause electrochemical reaction, and may reach disconnection. Condensation easily occurs especially when the module is moved from cold environment to warm environment.

DATE DOCUMENT CONTROL SECTION

						TITLE		FLC48SXC8V-05	
						DRAW. NO.			CUST.
						Tech Bes LCD-00161			
EDIT	DATE	DESIG.	CHECK	APPR.	DESCRIPTION				FUJITSU DISPLAY TECHNOLOGIES CORPORATION
									28 /

The following troubles occur when the LCD module is not used under recommended temperature.

- Operation under high temperature(>50): Display colors shift to blue.
- Storage under high temperature(>60): The polarizer film deteriorates and contrast decreases.
- Operation under low temperature(< 0): The response speed decreases considerably.
- Storage under low temperature(<-20): The liquid crystal may solidify and become damaged.

Be sure to input the control signals at the correct timing.

If control signals (DCLK, ENAB) are not input, or if the timing is out of the specified timing, DC voltage may be applied to the liquid crystal and, as a result, cause image sticking or deterioration of contrast.

(5) Precautions in regards of designing module mounting

Excessive force should not be applied to the screen or the rear side of the LCD module.

Excessive pressure on the screen caused by the installation of the LCD module may deteriorate display quality and reliability.

Brightness uniformity and the reliability of CCFL may decrease if the pressure is applied to the backlight module.

Avoid twisting and bending the LCD module.

Excessive twist and bend may damage display quality and reliability.

Avoid extending the power cable between the LCD module and inverter.

This may cause the backlight to flicker or not to light.

Keep the backlight cable apart from the metal enclosure of the LCD module.

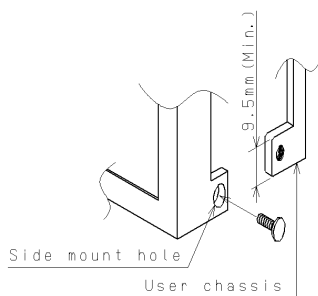
When frequency current for backlight driving leak to the metal enclosure, the desired brightness may not be assured.

When mounting LCD module with M3 screws (x4), tighten the screws with torque below.

User hole : 50N(5kgf) , Side mount hole : 30N(3kgf)

When mounting LCD module with screws for side-mount,

the width of the contacting metal should be 9.5mm or more.



DATE DOCUMENT CONTROL SECTION

						TITLE		FLC48SXC8V-05	
						DRAW. NO.		Tech Bes LCD-00161	
								CUST.	
EDIT	DATE	DESIG.	CHECK	APPR.	DESCRIPTION				
DESIG.			CHECK			APPR.		FUJITSU DISPLAY TECHNOLOGIES CORPORATION	29 /

TENTATIVE

(6) Storage method

Do not store the LCD module in an atmosphere of organic solvent or corrosive gas.

In an organic solvent atmosphere, the polarizer film discolors and display quality deteriorates.

In a corrosive gas environment, various parts of the module may corrode or deteriorate.

Store the LCD module in a Fujitsu package.

At storing, Fujitsu packages can be stacked up to 3 boxes.

The LCD module is in an anti-static bag. Keep the module in that status.

The LCD module is recommended to be stored in humidity controlled, cool and dark locations.

Recommended storage environment

- Place : Dark (avoid direct sunlight)
- Temperature : 10 ~ 35
- Humidity : 50 ~ 60%RH

Note) If the module is left in an environment of 60 and above for a long period of time, optical characteristics may deteriorate.

(7) Disposal Method

LCD module

The components of this LCD module can be grouped into metal, resin, glass and so on. As the backlight contains CCFL which includes mercury, it must be disposed according to the local ordinance or regulations.

Package

All the packages are made of recyclable papers except the anti-ESD bag.

DOCUMENT CONTROL SECTION

DATE

						TITLE		FLC48SXC8V-05		
						DRAW. NO.			CUST.	
						Tech Bes LCD-00161				
EDIT	DATE	DESIG.	CHECK	APPR.	DESCRIPTION				FUJITSU DISPLAY TECHNOLOGIES CORPORATION	30 /
DESIG.			CHECK			APPR.				

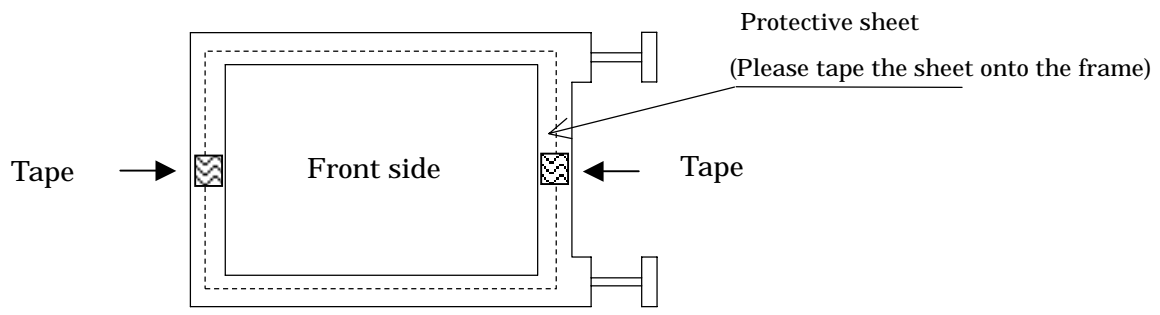
TENTATIVE

(8) Return method of the LCD module requested for repair or analysis of the problem

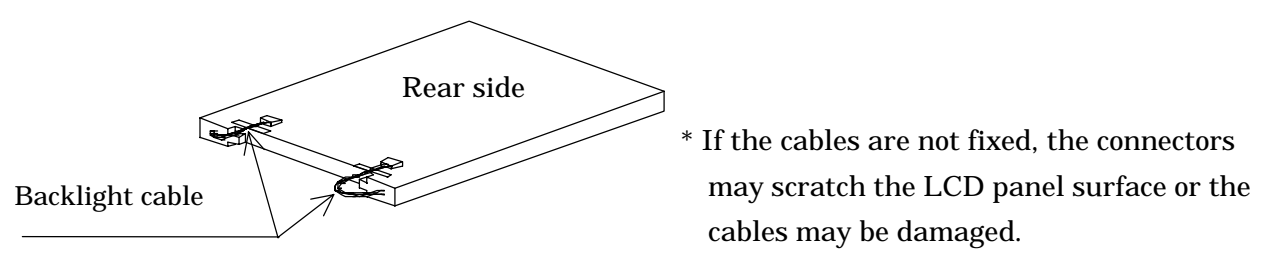
• When returning the LCD modules, adhere to the following procedures not to damage the LCD panel or the backlight cables. (Fig. 17-1(a)~(b))

When the LCD module is returned without following the specified packaging procedures, FDTC will not take responsibility for the damages caused by the failure of the packaging method.

(1) Attach protective sheet.



(2) Hook the backlight cables.



(3) Put the LCD module into the anti-electrostatic bag
(Please do not use torn anti-electrostatic bags)

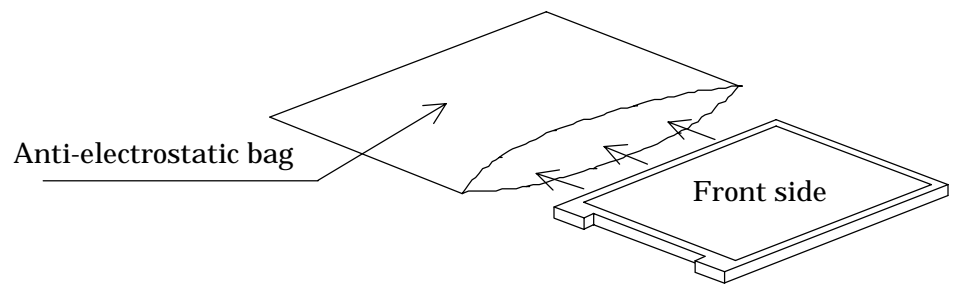


Fig. 17-1(a) Packaging method

DOCUMENT CONTROL SECTION

DATE

EDIT	DATE	DESIG.	CHECK	APPR.	DESCRIPTION					
DESIG.				CHECK				APPR.		

TITLE		FLC48SXC8V-05	
DRAW. NO.		Tech Bes LCD-00161	
CUST.			
FUJITSU DISPLAY TECHNOLOGIES CORPORATION		31 /	

TENTATIVE

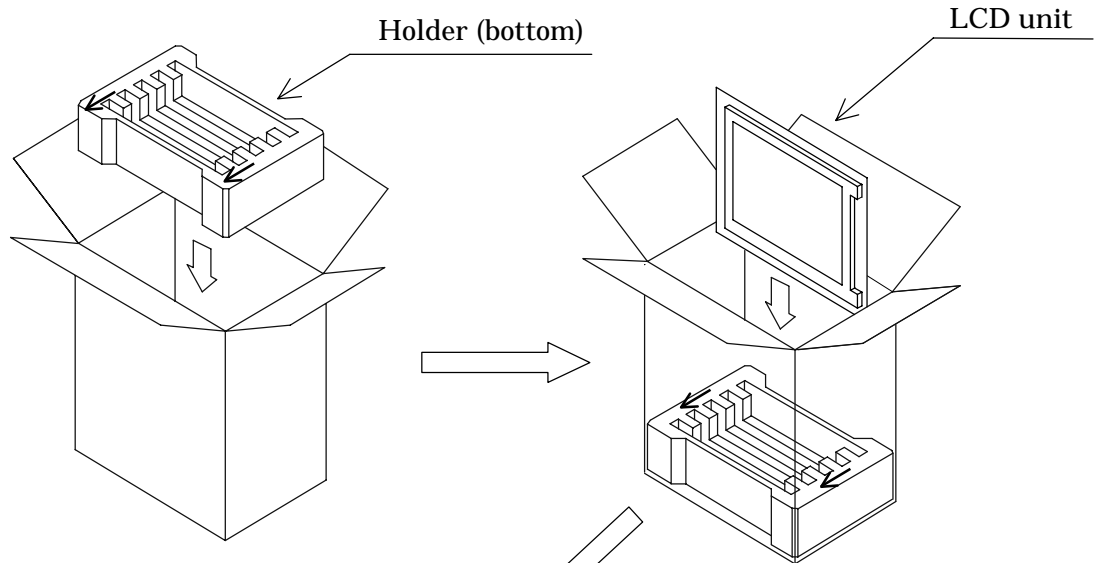
(4) Storage into the carton box

- When using the carton box manufactured by FDTC

(Please use carton boxes and arrowheads that are not collapsed)

A

A



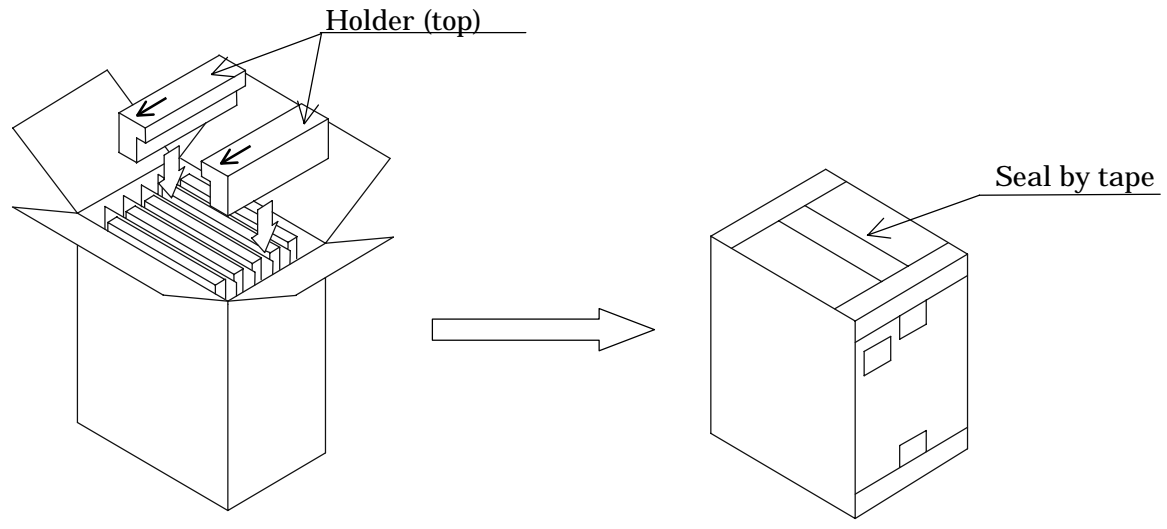
B

B

* The front side of LCD modules should face the direction of the arrowhead on holder (bottom).

C

C



D

D

* The direction of the arrowhead on holder (top) should face the front side of the LCD modules.

The arrowheads are shown on the holders.

Fig. 17-1(b) Packaging method

- When not using the carton box manufactured by FDTC

Please pack the LCD modules one by one and make sure not to damage the LCD modules when transporting.

DOCUMENT CONTROL SECTION

DATE

E

						TITLE		FLC48SXC8V-05	
						DRAW. NO.			CUST.
						Tech Bes LCD-00161			
EDIT	DATE	DESIG.	CHECK	APPR.	DESCRIPTION				FUJITSU DISPLAY TECHNOLOGIES CORPORATION
DESIG.			CHECK		APPR.				
						32 /			

F

TENTATIVE

(9) Others

If the LCD panel is damaged, do not inhale and do not swallow the liquid crystal.
If the liquid crystal adhere to the body or cloths, wash it off with soap immediately.
Follow regular precautions for electronic components.

Flux residue on the printed circuit board is harmless to the quality and reliability of LCD module.

Fujitsu has adopted non-wash technology on module assembly process.

18. PRECAUTIONS FOR USE

This Product is designed, developed and manufactured as contemplated for general use, including without limitation, general office use, personal use, household use, and ordinary industrial use, but is not designed, developed and manufactured as contemplated for use accompanying fatal risks or dangers that, unless extremely high safety is secured, could lead directly to death, personal injury, severe physical damage or other loss (hereinafter "High Safety Required Use"), including without limitation, nuclear reaction control in nuclear facility, aircraft flight control, air traffic control, mass transport control, medical life support system, missile launch control in weapon system. If customer's product possibly falls under the category of High Safety Required Use, please consult with our sales representatives in charge before such use. In addition, Fujitsu shall not be liable against the Customer and/or any third party for any claims or damages arising in connection with the High Safety Required Use of the Product without permission.

19. MISCELLANEOUS

Specifications of the TFT-LCD panel and other components used in the LCD module are subject to change. Both parties shall discuss together before change.

If any doubt is raised in the content of the specifications, both parties shall discuss and make best effort for the agreement.

DATE DOCUMENT CONTROL SECTION

						TITLE		FLC48SXC8V-05	
						DRAW. NO.			CUST.
						Tech Bes LCD-00161			
EDIT	DATE	DESIG.	CHECK	APPR.	DESCRIPTION		FUJITSU DISPLAY TECHNOLOGIES CORPORATION		33 /
	DESIG.		CHECK		APPR.				

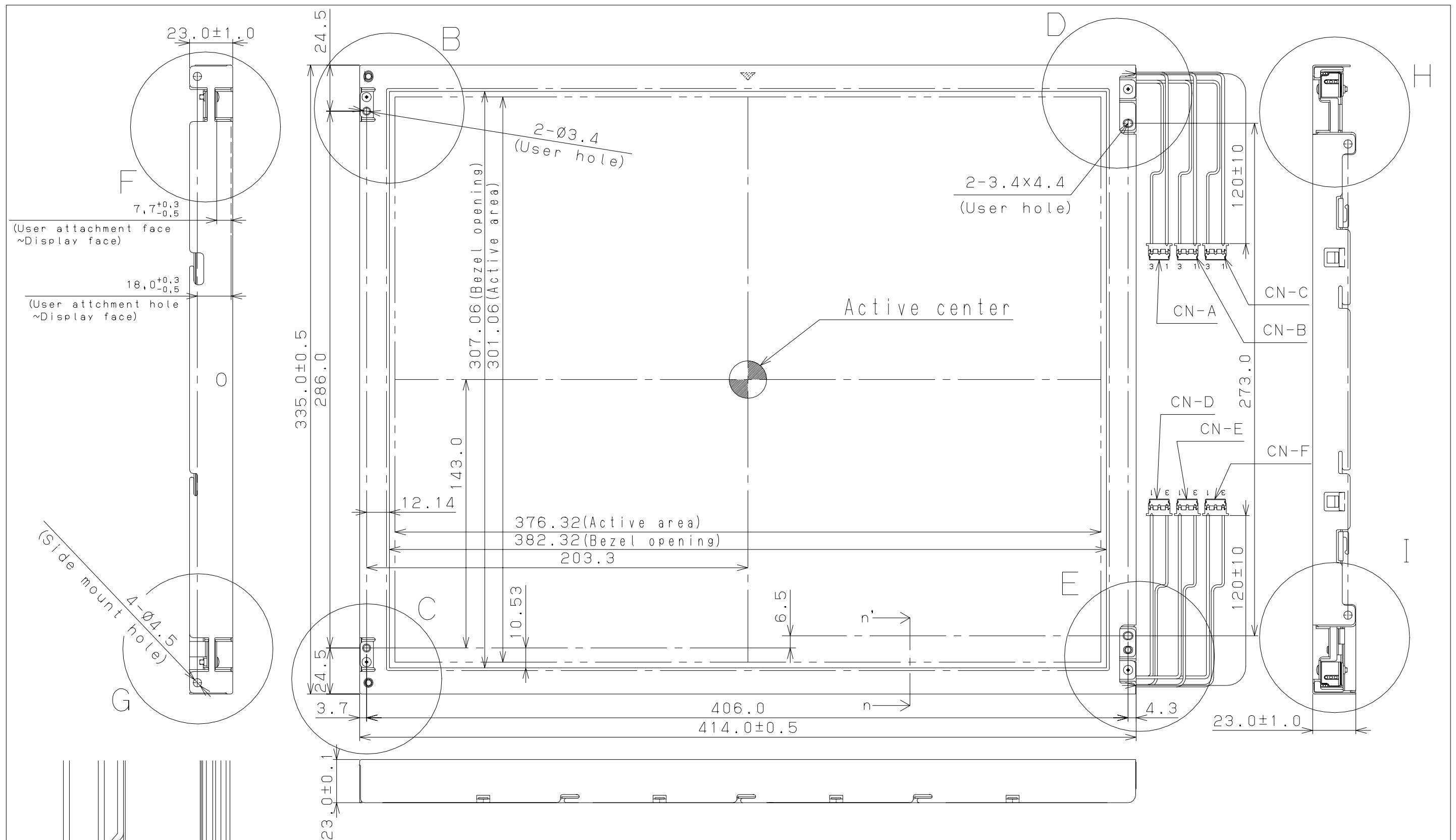
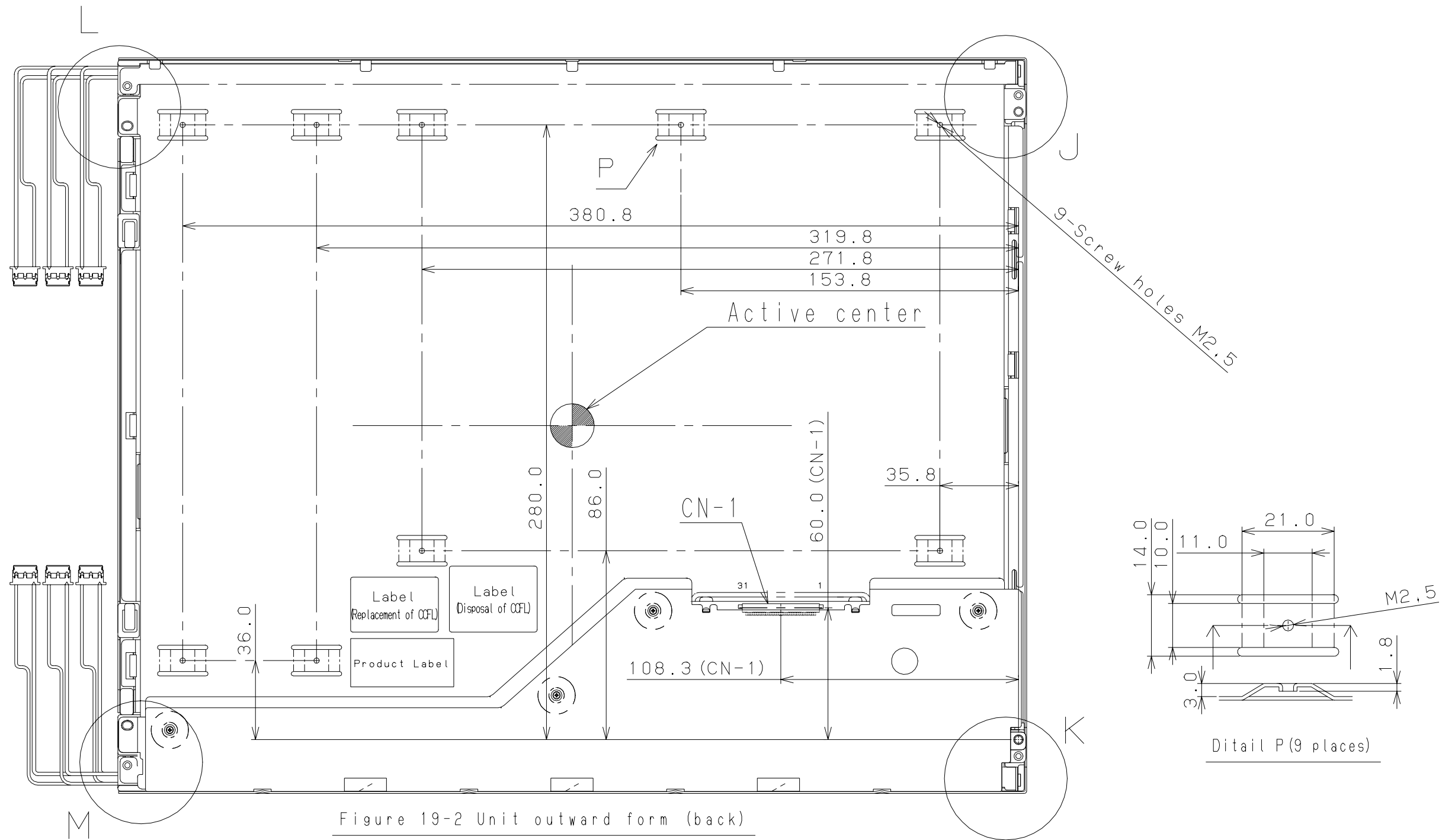


Figure 19-1 Unit outward form (front)

NOTE
1) Unspecified tolerance to be ± 0.5

n-n' Cross section

				TITLE Specification of LCD module	
				DRAW. NO. Tech Bes LCD-0161	
EDIT	DATE	DESIG.	CHECK	DESCRIPTION	
DESIG.			CHECK	APPR.	
					34/



NOTE

2) The height of interface connector does not include that of a counterpart connector.

					TITLE Specification of LCD module	
					DRAW. NO. Tech Bes LCD-0161	
EDIT.	DATE	DESIG.	CHECK	DESCRIPTION		
DESIG.			CHECK	APPR.		

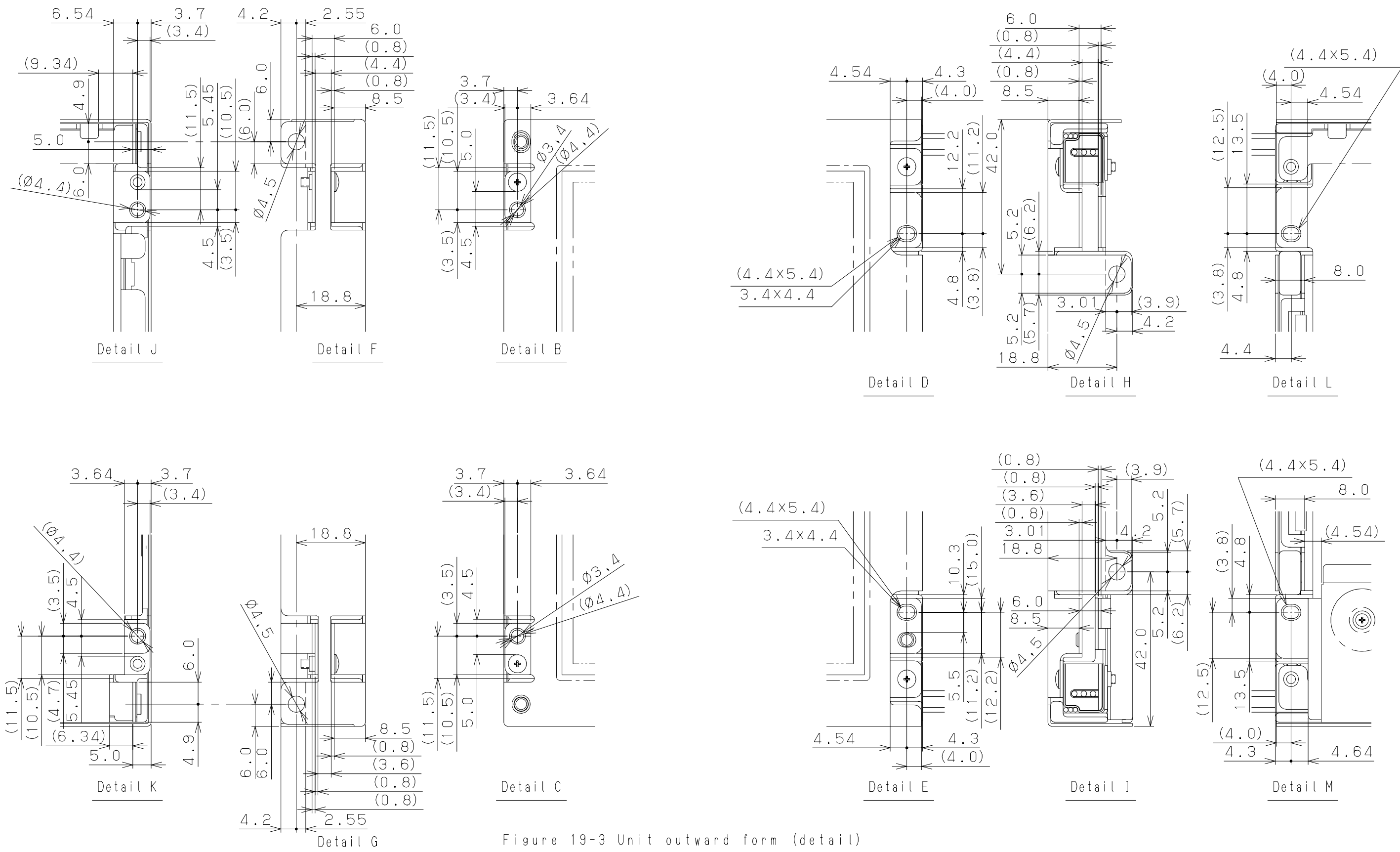


Figure 19-3 Unit outward form (detail)

NOTE
 3) This page is referende.
 (Not guarantee)

					TITLE Specification of LCD module	
					DRAW. NO. Tech Bes LCD-0161	
EDIT.	DATE	DESIG.	CHECK	DESCRIPTION		
DESIG.			CHECK	APPR.		
						36/36